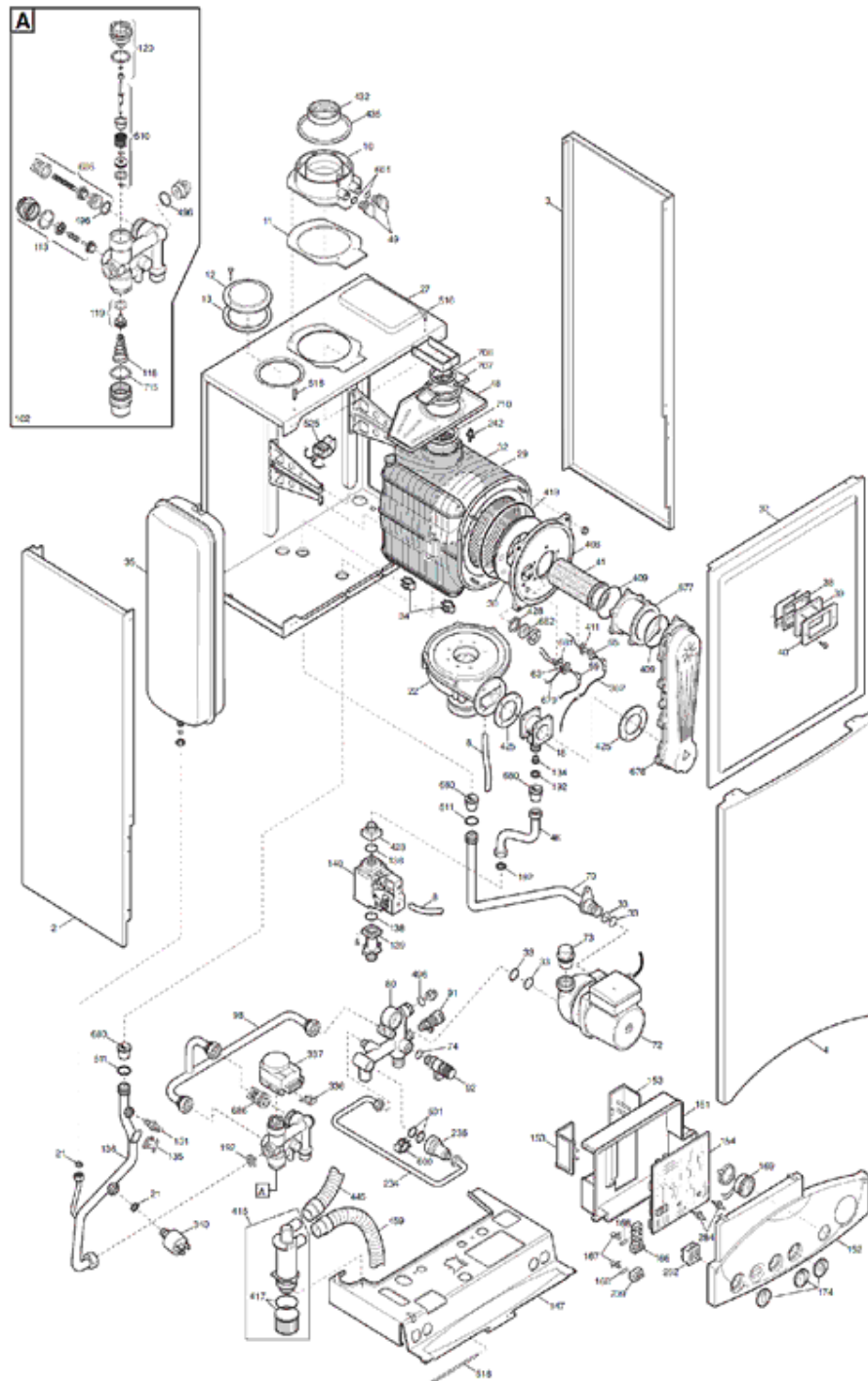




INITIA HTE

N° 1589	HLN435123320	INITIA 1.12 HTE	Tab 126
---------	--------------	-----------------	---------

Tab 126



Repère	Référence	Désignation	Quantité
10	SX5409020	RACCORDEMENT VENTOUSE (5409020)	1.000
102	SX5672730	VANNE 3 VOIES (5672730)	1.000
11	SX5409010	JOINT VENTOUSE CAOUTCHOUC (5409010)	1.000
113	SX0617100	GROUPE BY-PASS	1.000
114	SX5403820	JOINT O-RING (x3) (5403820)	1.000
118	SX8380520	RESSORT BY-PASS (8380520)	1.000
119	SX0605760	CLAPET CHAUFFAGE V3V (605760)	1.000
12	SX5108690	OBTURATEUR (5108690)	1.000
120	SX0600750	BOUCHON V3V CHAUFFAGE	1.000
13	SX5407400	JOINT OBTURATEUR DECOUPE (x3)	1.000
131	SX8434840	SONDE CTN CH et SN HTE (8434840)	1.000
131	SX8435400	SONDE CTN (8435400)	1.000
134	SX5212120	DIAPHRAGME GAZ D:4,5 (5212120)	1.000
135	SX9950760	SECURITE SURCHAUFFE 105° (9950760)	1.000
136	SX5672050	TUBE V3V/ECHANGEUR (5672050)	1.000
138	SX5402010	JOINT O-RING (x3) (PDM5402010)	1.000
139	SX5206620	RACCORD ENTREE GAZ (5206620)	1.000
140	SX5671930	VANNE GAZ SIT 848 SIGMA <40kw	1.000
147	SX5664340	TRAVERSE PLATINE HYDRAULIQUE (5664340)	1.000
151	SX5407650	COUVERCLE BOITIER ELECTRIQUE (5407650)	1.000
153	SX5407660	COUVERCLE BRANCHE.ELECTRIQUE (5407660)	1.000
154	SX5676120	CIRCUIT IMPRIME LMU34(5676120)	1.000
154	SX5703660	CIRC.IMPR.LMU34	1.000
154	SX5680240	CIRCUIT IMPRIME LMU34(5680240)	1.000
154	SX5686050	CIRCUIT IMPRIME LMU 34B	1.000
166	SX8421590	BORNIER DE RACCORDEMENT (PDM8421590)	1.000
167	SX5405340	PORTE-FUSIBLES (x3) (PDM5405340)	1.000
168	SX9950580	FUSIBLES 2A 250V (X10) (9950580)	1.000
169	SX9951020	MANOMETRE AVEC SUPPORT (9951020)	1.000
169	SX9951830	MANOMETRE AVEC SUPPORT (9951830)	1.000
174	SX5410530	BOUTON (5410530)	1.000
18	SX5664300	VENTURI D=12 (5664300)	1.000
192	SX5404650	JOINT G3/4" 17x24x2 (X10) #	1.000
2	SX5113450	PANNEAU COTE GAUCHE (5113450)	1.000
2	SX5116220	PANNEAU COTE GAUCHE (5116220)	1.000
21	SX5402050	JOINT 6,1x11,5x1,5 (X3)	1.000
22	SX5686970	VENTILATEUR RG 128/1300	1.000
22	SX5691840	VENTILATEUR RG 128/1300	1.000
22	SX5682500	VENTILATEUR RG 128/1300	1.000
22	SX5662680	VENTILATEUR RG 128/1300	1.000
234	SX5672970	TUBE DISCONNECTEUR (5672970)	1.000
236	SX5658650	DISCONNECTEUR WATTS(jjj005658650)	1.000
242	SX8435270	SONDE CTN FUMEE	1.000
252	SX8434550	SELECTEUR (x2) (8434550)	1.000
27	SX5114820	CHAMBRE ETANCHE (5114820)	1.000
284	SX5405990	PISTON POTENTIOMETRE (5405990)	1.000
29	SX5412010	PANNEAU ISOLANT ARRIERE (5412010)	1.000
3	SX5116210	PANNEAU COTE DROIT (5116210)	1.000

Repère	Référence	Désignation	Quantité
3	SX5113440	PANNEAU COTE DROIT (5113440)	1.000
30	SX5411020	PANNEAU ISOLANT (5411020)	1.000
32	SX5671940	ECHANGEUR PRINCIPAL 4E (5671940)	1.000
33	SX5403130	O-RING 22X3 EPDM (x3) (5403130)	1.000
336	SX8380680	RESSORT FIX MOTEUR V3V	1.000
337	SX5647340	MOTEUR V3V ELBI	1.000
34	SX8380860	CLIPS ECHANGEUR PRINCIPAL	1.000
340	SX5663750	PRESSOSTAT CHAUFFAGE (5663750)	1.000
340	SX9951690	PRESSOSTAT CHAUFFAGE (9951690)	1.000
35	SX5662620	VASE D'EXPANSION 8L (5662620)	1.000
37	SX5689640	PANNEAU AVANT CHAMBRE ETANCHE (5689640)	1.000
37	SX5672080	PANNEAU AVANT CHAMBRE ETANCHE (5672080)	1.000
38	SX5401610	JOINT HUBLLOT (x3) (5401610)	1.000
382	SX8511130	CABLE ELECTRODE IONISATION	1.000
39	SX5203930	HUBLLOT (5203930)	1.000
4	SX5115060	PANNEAU AVANT (5115060)	1.000
40	SX5103360	COUVERCLE HUBLLOT (5103360)	1.000
408	SX5212900	BRIDE CHAMBRE DE COMBUSTION	1.000
409	SX5410740	JOINT ECHANGEUR HTE (5410740)	1.000
41	SX5672000	BRULEUR 4 BECS (5672000)	1.000
411	SX0185200	JOINT ELECTRODE IONISATION	1.000
411	SX5409110	JOINT ELECTRODE IONI.(5409110)	1.000
415	SX5677910	SIPHON HYDRAULIQUE (5677910)	1.000
415	SX5411660	BOITIER SIPHON HYDRAULIQUE (5411660)	1.000
417	SX0615380	BOUCHON SIPHON HYDRAULIQUE + JOINT (615380)	1.000
419	SX5411000	JOINT BRIDE/ECHANGEUR	1.000
421	SX5413120	JOINT OR 12X3 EPDM	1.000
423	SX5210410	RACCORD VANNE GAZ	1.000
425	SX5409130	JOINT EXTRACTEUR (5409130)	1.000
425	SX5411420	JOINT EXTRACTEUR (5411420)	1.000
428	SX5409290	JOINT HUBLLOT (X3) (5409290)	1.000
432	SX5410420	JOINT FUMEEES Ø60	1.000
435	SX5407550	JOINT FUMEEES Ø100 (5407550)	1.000
445	SX5410980	TUBE SIPHON HYDR.2 PRISE L:350	1.000
459	SX5411610	EVACUATION CONDENSAT EPDM	1.000
46	SX5672030	TUBE GAZ (5672030)	1.000
48	SX5412100	PLATEAU PORTE CONDENSATION (5412100)	1.000
49	SX5409280	BOUCHON RACCORD.VENTOUSE (5409280)	1.000
496	SX0400020	O-RING 2062 (x3) (400020)	1.000
510	SX0600760	ENS.OBTURATEUR SANITAIRE (600760)	1.000
511	SX5404600	O-RING 17,86X2,62 (X3)	1.000
516	SX5210670	PISTON (5210670)	1.000
518	SX5107180	CHEVILLE PANNEAU CDE (5107180)	1.000
525	SX8435260	ALLUMEUR ANSTOS ZAG 2XV01 (8435260)	1.000
59	SX8511140	CABLE ELECT.ALLUMAGE (8511140)	1.000
59	SX8513520	CABLE ELECT.D'ALLUMAGE L=250	1.000
600	SX5112530	RESSORT FIXATION DISCONNECTEUR (5112530)	1.000
601	SX5408560	O-RING 8,73X1,78 (x3) (5408560)	1.000

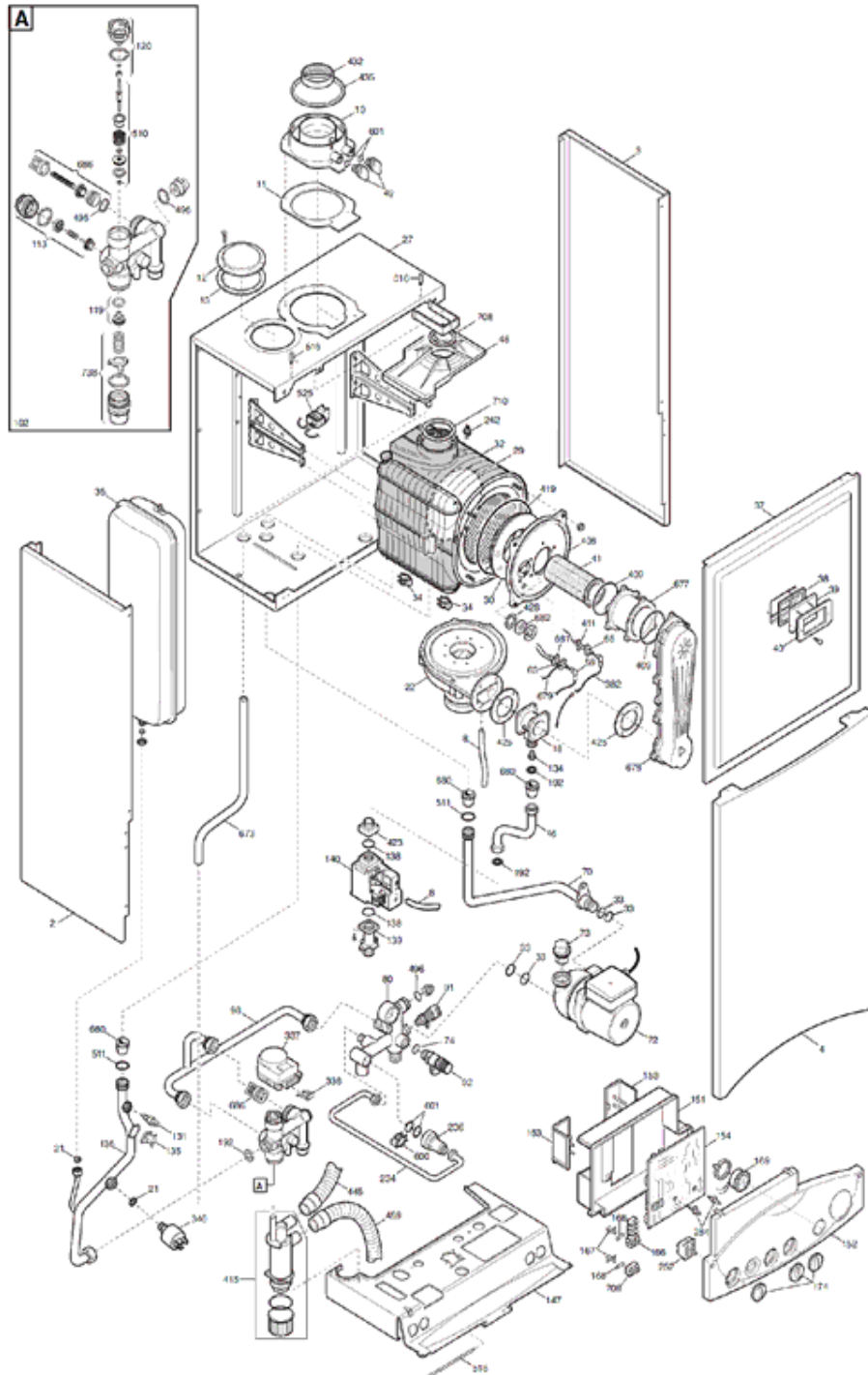
Repère	Référence	Désignation	Quantité
63	SX0220000	BOUGIE ALLUMAGE (710220002)	1.000
63	SX8422830	ELECTRODE D'ALLUMAGE LUNA HTE (8422830)	1.000
65	SX8422840	ELECTRODE IONIS.LUNA HTE (8422840)	1.000
677	SX5212920	PROLONGATEUR GAZ 4 ELTS	1.000
678	SX5672130	ENS.POIGNEE L=50	1.000
679	SX8511150	CABLE MASSE ELECTR.D'ALL.L=270(8511150)	1.000
680	SX5409250	JOINT PASSE-TUBE D:15	1.000
681	SX5409120	JOINT ELECTRODE ALLU.(5409120)	1.000
681	SX0185300	JOINT ELECTRODE ALLUMAGE	1.000
682	SX5211800	HUBLLOT (5211800)	1.000
686	SX5663020	CLAPET ANTI-RETOUR (5663020)	1.000
70	SX5672040	TUBE POMPE ECHANGEUR (5672040)	1.000
707	SX5410960	REDUCTEUR DIAM.80/60 (5410960)	1.000
708	SX5410970	JOINT D:60 (5410970)	1.000
709	SX8423160	DOMINOS PORTE FUSIBLE(8423160)	1.000
710	SX5411030	JOINT D:80 (5411030)	1.000
72	SX5655620	POMPE GRUNDFOS 15/60 (5655620)	1.000
73	SX0607290	DEGAZEUR (607290)	1.000
74	SX5406360	O-RING 14X1,78 (x3)	1.000
8	SX5410790	TUBE SILICONE PRESSOSTAT (5410790)	1.000
80	SX5659060	GROUPE RETOUR CHAUFFAGE (5659060)	1.000
91	SX5652030	ROBINET DE VIDANGE (PDM5652030)	1.000
92	SX9951170	SOUPAPE DE SECURITE 3BARS (9951170)	1.000
98	SX5672960	TUBE BY PASS (5672960)	1.000
99	SX8380850	CLIP TUBE BY-PASS	1.000
999	SX8511230	CABLE MASSE (8511230)	1.000
999	SX8511610	CABLE X3/V3V-POMP-VG	1.000
999	SX8511160	CABLE X2/ALLUMEUR-VENT	1.000
999	SX8511170	CABLE X401/EXTR-TH-CTN	1.000
999	SX8414620	CABLE M1 ALIM ELEC (8414620)	1.000
999	SX8511180	CABLE X1/COMMUNATEUR (8511180)	1.000
999	SX8511210	CABLE M1/INTER (8511210)	1.000
999	SX8511330	CABLE X400/CTN-BALLON-EXT-PRESS (8511330)	1.000
999	SX8511220	CABLE MASSE CIRCUIT IMPRIME (8511220)	1.000
999	SX8418860	CONNECTEUR PONT TIMER (8418860)	1.000



INITIA HTE

N°1589	HLN435123321	INITIA 1.12 HTE	Tab 131
--------	--------------	-----------------	---------

Tab 131



Repère	Référence	Désignation	Quantité
10	SX5409020	RACCORDEMENT VENTOUSE (5409020)	1.000
102	SX5672730	VANNE 3 VOIES (5672730)	1.000
11	SX5409010	JOINT VENTOUSE CAOUTCHOUC (5409010)	1.000
113	SX0617100	GROUPE BY-PASS	1.000
118	SX8380520	RESSORT BY-PASS (8380520)	1.000
119	SX0605760	CLAPET CHAUFFAGE V3V (605760)	1.000
12	SX5108690	OBTURATEUR (5108690)	1.000
120	SX0600750	BOUCHON V3V CHAUFFAGE	1.000
13	SX5407400	JOINT OBTURATEUR DECOUPE (x3)	1.000
131	SX8434840	SONDE CTN CH et SN HTE (8434840)	1.000
131	SX8435400	SONDE CTN (8435400)	1.000
134	SX5212120	DIAPHRAGME GAZ D:4,5 (5212120)	1.000
135	SX9950760	SECURITE SURCHAUFFE 105° (9950760)	1.000
136	SX5672050	TUBE V3V/ECHANGEUR (5672050)	1.000
138	SX5402010	JOINT O-RING (x3) (PDM5402010)	1.000
139	SX5206620	RACCORD ENTREE GAZ (5206620)	1.000
140	SX5671930	VANNE GAZ SIT 848 SIGMA <40kw	1.000
147	SX5664340	TRAVERSE PLATINE HYDRAULIQUE (5664340)	1.000
151	SX5407650	COUVERCLE BOITIER ELECTRIQUE (5407650)	1.000
153	SX5407660	COUVERCLE BRANCHE.ELECTRIQUE (5407660)	1.000
154	SX5676120	CIRCUIT IMPRIME LMU34(5676120)	1.000
154	SX5703660	CIRC.IMPR.LMU34	1.000
154	SX5686050	CIRCUIT IMPRIME LMU 34B	1.000
154	SX5680240	CIRCUIT IMPRIME LMU34(5680240)	1.000
166	SX8421590	BORNIER DE RACCORDEMENT (PDM8421590)	1.000
167	SX5405340	PORTE-FUSIBLES (x3) (PDM5405340)	1.000
168	SX9950580	FUSIBLES 2A 250V (X10) (9950580)	1.000
169	SX9951020	MANOMETRE AVEC SUPPORT (9951020)	1.000
169	SX9951830	MANOMETRE AVEC SUPPORT (9951830)	1.000
174	SX5410530	BOUTON (5410530)	1.000
18	SX5664300	VENTURI D=12 (5664300)	1.000
192	SX5404650	JOINT G3/4" 17x24x2 (X10) #	1.000
2	SX5113450	PANNEAU COTE GAUCHE (5113450)	1.000
2	SX5116220	PANNEAU COTE GAUCHE (5116220)	1.000
21	SX5402050	JOINT 6,1x11,5x1,5 (X3)	1.000
22	SX5686970	VENTILATEUR RG 128/1300	1.000
22	SX5691840	VENTILATEUR RG 128/1300	1.000
22	SX5682500	VENTILATEUR RG 128/1300	1.000
22	SX5662680	VENTILATEUR RG 128/1300	1.000
234	SX5672970	TUBE DISCONNECTEUR (5672970)	1.000
236	SX5658650	DISCONNECTEUR WATTS(jjj005658650)	1.000
242	SX8435270	SONDE CTN FUMEE	1.000
252	SX8434550	SELECTEUR (x2) (8434550)	1.000
284	SX5405990	PISTON POTENTIOMETRE (5405990)	1.000
29	SX5412010	PANNEAU ISOLANT ARRIERE (5412010)	1.000
3	SX5116210	PANNEAU COTE DROIT (5116210)	1.000
3	SX5113440	PANNEAU COTE DROIT (5113440)	1.000
30	SX5411020	PANNEAU ISOLANT (5411020)	1.000

Repère	Référence	Désignation	Quantité
32	SX5671940	ECHANGEUR PRINCIPAL 4E (5671940)	1.000
33	SX5403130	O-RING 22X3 EPDM (x3) (5403130)	1.000
336	SX8380680	RESSORT FIX MOTEUR V3V	1.000
337	SX5647340	MOTEUR V3V ELBI	1.000
34	SX8380860	CLIPS ECHANGEUR PRINCIPAL	1.000
340	SX5663750	PRESSOSTAT CHAUFFAGE (5663750)	1.000
340	SX9951690	PRESSOSTAT CHAUFFAGE (9951690)	1.000
35	SX5662620	VASE D'EXPANSION 8L (5662620)	1.000
37	SX5689640	PANNEAU AVANT CHAMBRE ETANCHE (5689640)	1.000
37	SX5672080	PANNEAU AVANT CHAMBRE ETANCHE (5672080)	1.000
38	SX5401610	JOINT HUBLLOT (x3) (5401610)	1.000
382	SX8511130	CABLE ELECTRODE IONISATION	1.000
39	SX5203930	HUBLLOT (5203930)	1.000
4	SX5115060	PANNEAU AVANT (5115060)	1.000
40	SX5103360	COUVERCLE HUBLLOT (5103360)	1.000
408	SX5212900	BRIDE CHAMBRE DE COMBUSTION	1.000
409	SX5410740	JOINT ECHANGEUR HTE (5410740)	1.000
41	SX5672000	BRULEUR 4 BECS (5672000)	1.000
411	SX0185200	JOINT ELECTRODE IONISATION	1.000
411	SX5409110	JOINT ELECTRODE IONI.(5409110)	1.000
415	SX5411660	BOITIER SIPHON HYDRAULIQUE (5411660)	1.000
415	SX5682350	ENS.SIPHON HYDRAULIQUE (5682350)	1.000
417	SX0615380	BOUCHON SIPHON HYDRAULIQUE + JOINT (615380)	1.000
419	SX5411000	JOINT BRIDE/ECHANGEUR	1.000
421	SX5413120	JOINT OR 12X3 EPDM	1.000
423	SX5210410	RACCORD VANNE GAZ	1.000
425	SX5411420	JOINT EXTRACTEUR (5411420)	1.000
425	SX5409130	JOINT EXTRACTEUR (5409130)	1.000
428	SX5409290	JOINT HUBLLOT (X3) (5409290)	1.000
432	SX5410420	JOINT FUMES Ø60	1.000
435	SX5407550	JOINT FUMES Ø100 (5407550)	1.000
445	SX5410980	TUBE SIPHON HYDR.2 PRISE L:350	1.000
459	SX5411610	EVACUATION CONDENSAT EPDM	1.000
46	SX5672030	TUBE GAZ (5672030)	1.000
48	SX5412170	PLATEAU PORTE CONDENSATION (5412170)	1.000
49	SX5409280	BOUCHON RACCORD.VENTOUSE (5409280)	1.000
496	SX0400020	O-RING 2062 (x3) (400020)	1.000
510	SX0600760	ENS.OBTURATEUR SANITAIRE (600760)	1.000
511	SX5404600	O-RING 17,86X2,62 (X3)	1.000
516	SX5210670	PISTON (5210670)	1.000
518	SX5107180	CHEVILLE PANNEAU CDE (5107180)	1.000
525	SX8435260	ALLUMEUR ANSTOS ZAG 2XV01 (8435260)	1.000
59	SX8511140	CABLE ELECT.ALLUMAGE (8511140)	1.000
59	SX8513520	CABLE ELECT.D'ALLUMAGE L=250	1.000
600	SX5112530	RESSORT FIXATION DISCONNECTEUR (5112530)	1.000
601	SX5408560	O-RING 8,73X1,78 (x3) (5408560)	1.000
63	SX0220000	BOUGIE ALLUMAGE (710220002)	1.000
63	SX8422830	ELECTRODE D'ALLUMAGE LUNA HTE (8422830)	1.000



Repère	Référence	Désignation	Quantité
65	SX8422840	ELECTRODE IONIS.LUNA HTE (8422840)	1.000
673	SX5412190	TUBE EN SILICONE	1.000
677	SX5212920	PROLONGATEUR GAZ 4 ELTS	1.000
678	SX5672130	ENS.POIGNEE L=50	1.000
679	SX8511150	CABLE MASSE ELECTR.D'ALL.L=270(8511150)	1.000
680	SX5409250	JOINT PASSE-TUBE D:15	1.000
681	SX5409120	JOINT ELECTRODE ALLU.(5409120)	1.000
681	SX0185300	JOINT ELECTRODE ALLUMAGE	1.000
682	SX5211800	HUBLLOT (5211800)	1.000
686	SX5663020	CLAPET ANTI-RETOUR (5663020)	1.000
70	SX5672040	TUBE POMPE ECHANGEUR (5672040)	1.000
708	SX5410970	JOINT D:60 (5410970)	1.000
709	SX8423160	DOMINOS PORTE FUSIBLE(8423160)	1.000
710	SX5411030	JOINT D:80 (5411030)	1.000
72	SX5655620	POMPE GRUNDFOS 15/60 (5655620)	1.000
73	SX0607290	DEGAZEUR (607290)	1.000
738	SX0620490	GROUPE RESSORT BY PASS/JOINT	1.000
74	SX5406360	O-RING 14X1,78 (x3)	1.000
8	SX5410790	TUBE SILICONE PRESSOSTAT (5410790)	1.000
80	SX5659060	GROUPE RETOUR CHAUFFAGE (5659060)	1.000
91	SX5652030	ROBINET DE VIDANGE (PDM5652030)	1.000
92	SX9951170	SOUPAPE DE SECURITE 3BARS (9951170)	1.000
98	SX5672960	TUBE BY PASS (5672960)	1.000
99	SX8380850	CLIP TUBE BY-PASS	1.000
999	SX8511230	CABLE MASSE (8511230)	1.000
999	SX8511180	CABLE X1/COMMUNATEUR (8511180)	1.000
999	SX8511160	CABLE X2/ALLUMEUR-VENT	1.000
999	SX8511170	CABLE X401/EXTR-TH-CTN	1.000
999	SX8511610	CABLE X3/V3V-POMP-VG	1.000
999	SX8414620	CABLE M1 ALIM ELEC (8414620)	1.000
999	SX8511210	CABLE M1/INTER (8511210)	1.000
999	SX8511330	CABLE X400/CTN-BALLON-EXT-PRESS (8511330)	1.000
999	SX8418860	CONNECTEUR PONT TIMER (8418860)	1.000
999	SX8511220	CABLE MASSE CIRCUIT IMPRIME (8511220)	1.000

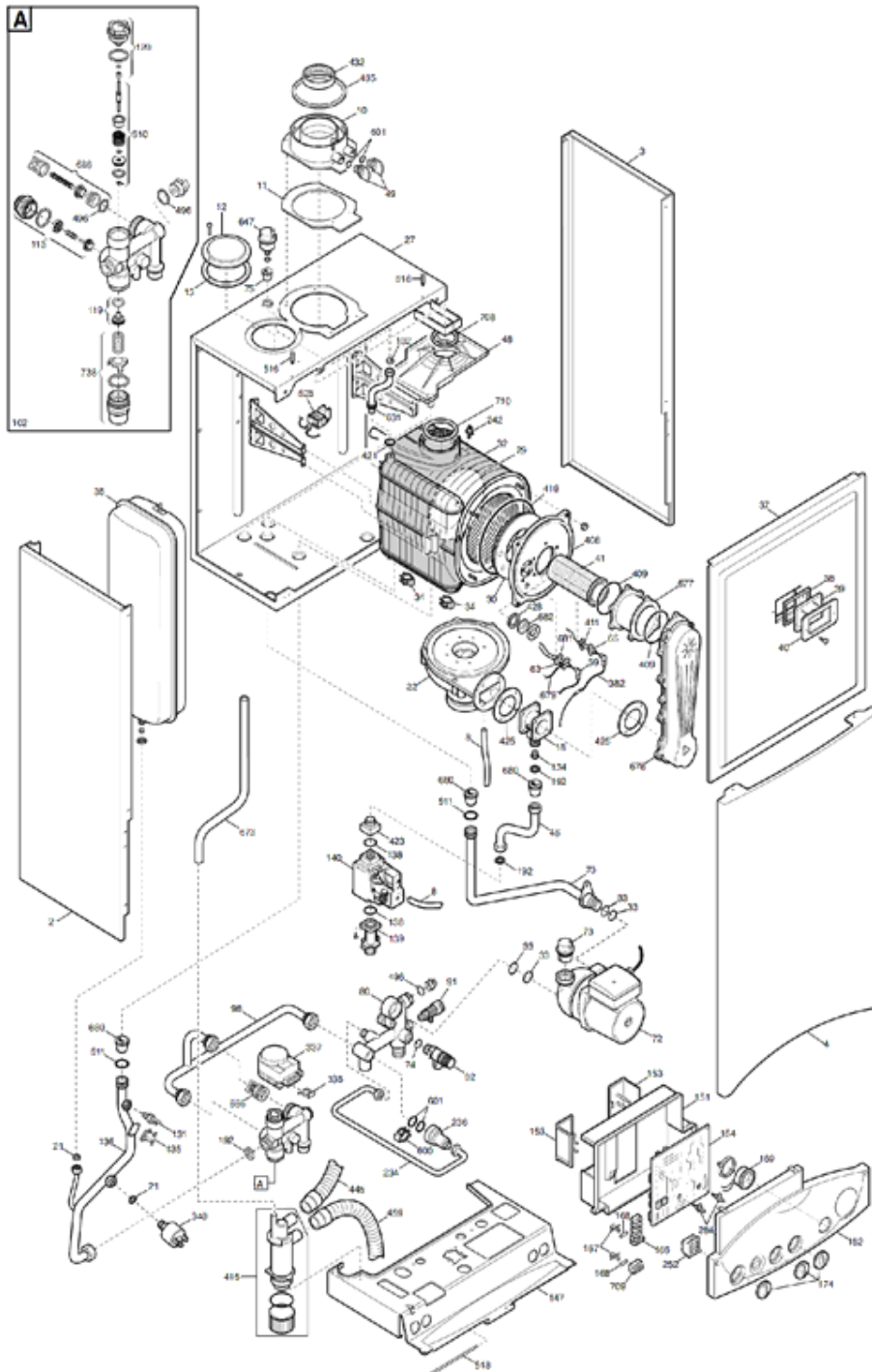




INITIA HTE

N° 1589	HLN435123322/3	INITIA 1.12 HTE	Tab 140
---------	----------------	-----------------	---------

Tab 140



Repère	Référence	Désignation	Quantité
10	SX5409020	RACCORDEMENT VENTOUSE (5409020)	1.000
102	SX5672730	VANNE 3 VOIES (5672730)	1.000
11	SX5409010	JOINT VENTOUSE CAOUTCHOUC (5409010)	1.000
113	SX0617100	GROUPE BY-PASS	1.000
118	SX8380520	RESSORT BY-PASS (8380520)	1.000
119	SX0605760	CLAPET CHAUFFAGE V3V (605760)	1.000
12	SX5108690	OBTURATEUR (5108690)	1.000
120	SX0600750	BOUCHON V3V CHAUFFAGE	1.000
13	SX5407400	JOINT OBTURATEUR DECOUPE (x3)	1.000
131	SX8434840	SONDE CTN CH et SN HTE (8434840)	1.000
131	SX8435400	SONDE CTN (8435400)	1.000
132	SX5402830	JOINT SONDE SANITAIRE (X10) (PDM5402830)	1.000
134	SX5212120	DIAPHRAGME GAZ D:4,5 (5212120)	1.000
135	SX9950760	SECURITE SURCHAUFFE 105° (9950760)	1.000
136	SX5672050	TUBE V3V/ECHANGEUR (5672050)	1.000
138	SX5402010	JOINT O-RING (x3) (PDM5402010)	1.000
139	SX5206620	RACCORD ENTREE GAZ (5206620)	1.000
140	SX5671930	VANNE GAZ SIT 848 SIGMA <40kw	1.000
147	SX5664340	TRAVERSE PLATINE HYDRAULIQUE (5664340)	1.000
151	SX5407650	COUVERCLE BOITIER ELECTRIQUE (5407650)	1.000
153	SX5407660	COUVERCLE BRANCHE.ELECTRIQUE (5407660)	1.000
154	SX5676120	CIRCUIT IMPRIME LMU34(5676120)	1.000
154	SX5703660	CIRC.IMPR.LMU34	1.000
154	SX5686050	CIRCUIT IMPRIME LMU 34B	1.000
154	SX5680240	CIRCUIT IMPRIME LMU34(5680240)	1.000
166	SX8421590	BORNIER DE RACCORDEMENT (PDM8421590)	1.000
167	SX5405340	PORTE-FUSIBLES (x3) (PDM5405340)	1.000
168	SX9950580	FUSIBLES 2A 250V (X10) (9950580)	1.000
169	SX9951020	MANOMETRE AVEC SUPPORT (9951020)	1.000
169	SX9951830	MANOMETRE AVEC SUPPORT (9951830)	1.000
174	SX5410530	BOUTON (5410530)	1.000
18	SX5664300	VENTURI D=12 (5664300)	1.000
192	SX5404650	JOINT G3/4" 17x24x2 (X10) #	1.000
2	SX5113450	PANNEAU COTE GAUCHE (5113450)	1.000
2	SX5116220	PANNEAU COTE GAUCHE (5116220)	1.000
21	SX5402050	JOINT 6,1x11,5x1,5 (X3)	1.000
22	SX5686970	VENTILATEUR RG 128/1300	1.000
22	SX5682500	VENTILATEUR RG 128/1300	1.000
22	SX5691840	VENTILATEUR RG 128/1300	1.000
22	SX5662680	VENTILATEUR RG 128/1300	1.000
234	SX5672970	TUBE DISCONNECTEUR (5672970)	1.000
236	SX5658650	DISCONNECTEUR WATTS(jjj005658650)	1.000
242	SX8435270	SONDE CTN FUMEE	1.000
252	SX8434550	SELECTEUR (x2) (8434550)	1.000
27	SX5116590	CHAMBRE ETANCHE	1.000
284	SX5405990	PISTON POTENTIOMETRE (5405990)	1.000
29	SX5412010	PANNEAU ISOLANT ARRIERE (5412010)	1.000
3	SX5116210	PANNEAU COTE DROIT (5116210)	1.000

Repère	Référence	Désignation	Quantité
3	SX5113440	PANNEAU COTE DROIT (5113440)	1.000
30	SX5411020	PANNEAU ISOLANT (5411020)	1.000
32	SX5671940	ECHANGEUR PRINCIPAL 4E (5671940)	1.000
33	SX5403130	O-RING 22X3 EPDM (x3) (5403130)	1.000
336	SX8380680	RESSORT FIX MOTEUR V3V	1.000
337	SX5647340	MOTEUR V3V ELBI	1.000
34	SX8380860	CLIPS ECHANGEUR PRINCIPAL	1.000
340	SX5663750	PRESSOSTAT CHAUFFAGE (5663750)	1.000
340	SX9951690	PRESSOSTAT CHAUFFAGE (9951690)	1.000
35	SX5662620	VASE D'EXPANSION 8L (5662620)	1.000
37	SX5672080	PANNEAU AVANT CHAMBRE ETANCHE (5672080)	1.000
37	SX5689640	PANNEAU AVANT CHAMBRE ETANCHE (5689640)	1.000
38	SX5401610	JOINT HUBLLOT (x3) (5401610)	1.000
382	SX8511130	CABLE ELECTRODE IONISATION	1.000
39	SX5203930	HUBLLOT (5203930)	1.000
4	SX5115060	PANNEAU AVANT (5115060)	1.000
40	SX5103360	COUVERCLE HUBLLOT (5103360)	1.000
408	SX5212900	BRIDE CHAMBRE DE COMBUSTION	1.000
409	SX5410740	JOINT ECHANGEUR HTE (5410740)	1.000
41	SX5672000	BRULEUR 4 BECS (5672000)	1.000
411	SX0185200	JOINT ELECTRODE IONISATION	1.000
411	SX5409110	JOINT ELECTRODE IONI.(5409110)	1.000
415	SX5411660	BOITIER SIPHON HYDRAULIQUE (5411660)	1.000
415	SX5682350	ENS.SIPHON HYDRAULIQUE (5682350)	1.000
417	SX0615380	BOUCHON SIPHON HYDRAULIQUE + JOINT (615380)	1.000
419	SX5411000	JOINT BRIDE/ECHANGEUR	1.000
421	SX5413120	JOINT OR 12X3 EPDM	1.000
423	SX5210410	RACCORD VANNE GAZ	1.000
425	SX5411420	JOINT EXTRACTEUR (5411420)	1.000
425	SX5409130	JOINT EXTRACTEUR (5409130)	1.000
428	SX5409290	JOINT HUBLLOT (X3) (5409290)	1.000
432	SX5410420	JOINT FUMEEES Ø60	1.000
435	SX5407550	JOINT FUMEEES Ø100 (5407550)	1.000
445	SX5410980	TUBE SIPHON HYDR.2 PRISE L:350	1.000
459	SX5411610	EVACUATION CONDENSAT EPDM	1.000
46	SX5672030	TUBE GAZ (5672030)	1.000
48	SX5412170	PLATEAU PORTE CONDENSATION (5412170)	1.000
49	SX5409280	BOUCHON RACCORD.VENTOUSE (5409280)	1.000
496	SX0400020	O-RING 2062 (x3) (400020)	1.000
510	SX0600760	ENS.OBTURATEUR SANITAIRE (600760)	1.000
511	SX5404600	O-RING 17,86X2,62 (X3)	1.000
516	SX5210670	PISTON (5210670)	1.000
518	SX5107180	CHEVILLE PANNEAU CDE (5107180)	1.000
525	SX8435260	ALLUMEUR ANSTOS ZAG 2XV01 (8435260)	1.000
59	SX8511140	CABLE ELECT.ALLUMAGE (8511140)	1.000
59	SX8513520	CABLE ELECT.D'ALLUMAGE L=250	1.000
600	SX5112530	RESSORT FIXATION DISCONNECTEUR (5112530)	1.000
601	SX5408560	O-RING 8,73X1,78 (x3) (5408560)	1.000

Repère	Référence	Désignation	Quantité
63	SX0220000	BOUGIE ALLUMAGE (710220002)	1.000
63	SX8422830	ELECTRODE D'ALLUMAGE LUNA HTE (8422830)	1.000
631	SX5685240	TUBE DEGAZEUR (5685240)	1.000
647	SX5652730	DEGAZEUR G 3/8 (5652730)	1.000
65	SX8422840	ELECTRODE IONIS.LUNA HTE (8422840)	1.000
673	SX5412190	TUBE EN SILICONE	1.000
677	SX5212920	PROLONGATEUR GAZ 4 ELTS	1.000
678	SX5672130	ENS.POIGNEE L=50	1.000
679	SX8511150	CABLE MASSE ELECTR.D'ALL.L=270(8511150)	1.000
680	SX5409250	JOINT PASSE-TUBE D:15	1.000
681	SX5409120	JOINT ELECTRODE ALLU.(5409120)	1.000
681	SX0185300	JOINT ELECTRODE ALLUMAGE	1.000
682	SX5211800	HUBLLOT (5211800)	1.000
686	SX5663020	CLAPET ANTI-RETOUR (5663020)	1.000
70	SX5672040	TUBE POMPE ECHANGEUR (5672040)	1.000
708	SX5410970	JOINT D:60 (5410970)	1.000
709	SX8423160	DOMINOS PORTE FUSIBLE(8423160)	1.000
710	SX5411030	JOINT D:80 (5411030)	1.000
72	SX5655620	POMPE GRUNDFOS 15/60 (5655620)	1.000
73	SX0607290	DEGAZEUR (607290)	1.000
738	SX0620490	GROUPE RESSORT BY PASS/JOINT	1.000
74	SX5406360	O-RING 14X1,78 (x3)	1.000
75	SX5409240	JOINT TUBE/CAISSON D:10 (5409240)	1.000
8	SX5410790	TUBE SILICONE PRESSOSTAT (5410790)	1.000
80	SX5659060	GROUPE RETOUR CHAUFFAGE (5659060)	1.000
91	SX5652030	ROBINET DE VIDANGE (PDM5652030)	1.000
92	SX9951170	SOUPAPE DE SECURITE 3BARS (9951170)	1.000
98	SX5672960	TUBE BY PASS (5672960)	1.000
99	SX8380850	CLIP TUBE BY-PASS	1.000
999	SX8511230	CABLE MASSE (8511230)	1.000
999	SX8511180	CABLE X1/COMMUNATEUR (8511180)	1.000
999	SX8511160	CABLE X2/ALLUMEUR-VENT	1.000
999	SX8511170	CABLE X401/EXTR-TH-CTN	1.000
999	SX8511610	CABLE X3/V3V-POMP-VG	1.000
999	SX8414620	CABLE M1 ALIM ELEC (8414620)	1.000
999	SX8511210	CABLE M1/INTER (8511210)	1.000
999	SX8511330	CABLE X400/CTN-BALLON-EXT-PRESS (8511330)	1.000
999	SX8511220	CABLE MASSE CIRCUIT IMPRIME (8511220)	1.000
999	SX8418860	CONNECTEUR PONT TIMER (8418860)	1.000