



ZENIS 3 EASY HTE

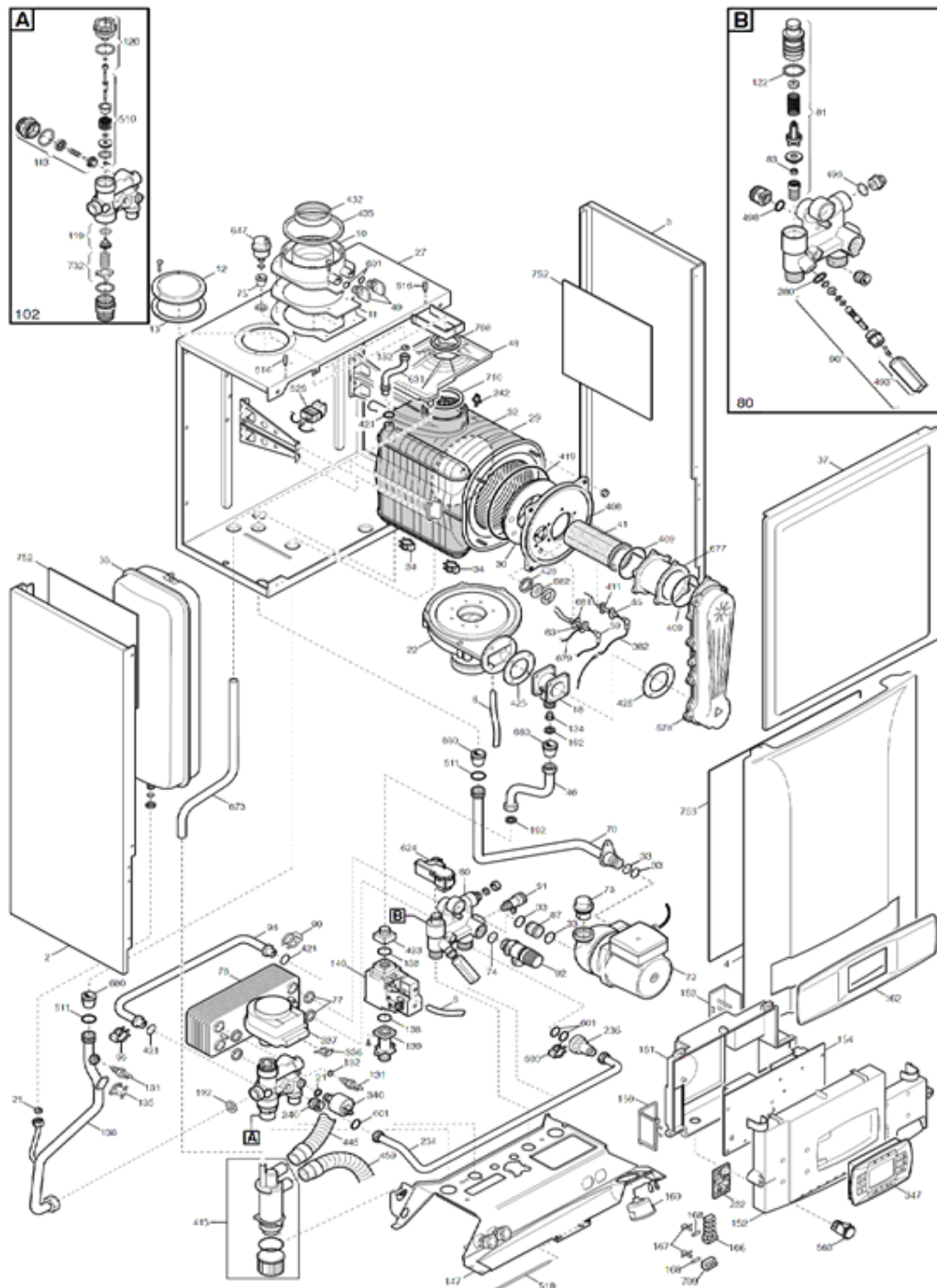
N° 1756

HLM456283580

ZENIS 3 2.28 HTE

Tab 256

Tab 256



ZENIS 3 EASY 2.28 HTE - HLM456283580

| Repère | Référence | Désignation | Quantité |
|--------|-----------|--|----------|
| 10 | SX5409020 | RACCORDEMENT VENTOUSE (5409020) | 1.000 |
| 102 | SX5687140 | ENS.VANNE 3 VOIES | 1.000 |
| 11 | SX5409010 | JOINT VENTOUSE CAOUTCHOUC (5409010) | 1.000 |
| 113 | SX0617100 | GROUPE BY-PASS | 1.000 |
| 119 | SX0605760 | CLAPET CHAUFFAGE V3V (605760) | 1.000 |
| 12 | SX5108690 | OBTURATEUR (5108690) | 1.000 |
| 120 | SX0600750 | BOUCHON V3V CHAUFFAGE | 1.000 |
| 122 | SX5405370 | O-RING "FILTRE SANITAIRE" (x3) (5405370) | 1.000 |
| 13 | SX5407400 | JOINT OBTURATEUR DECOUPE (x3) | 1.000 |
| 131 | SX8435400 | SONDE CTN (8435400) | 1.000 |
| 132 | SX5402830 | JOINT SONDE SANITAIRE (X10) (PDM5402830) | 1.000 |
| 134 | SX5212140 | DIAPHRAGME GAZ D:7,5 (5212140) | 1.000 |
| 135 | SX9950760 | SECURITE SURCHAUFFE 105° (9950760) | 1.000 |
| 136 | SX5681400 | TUBE V3V/ECHANGEUR | 1.000 |
| 138 | SX5402010 | JOINT O-RING (x3) (PDM5402010) | 1.000 |
| 139 | SX5206620 | RACCORD ENTREE GAZ (5206620) | 1.000 |
| 140 | SX5671930 | VANNE GAZ SIT 848 SIGMA <40kw | 1.000 |
| 147 | SX5680910 | TRAVERSE LUNA 3 (5680910) | 1.000 |
| 150 | SX5412180 | COUVERCLE (5412180) | 1.000 |
| 151 | SX5413400 | COUVERCLE BOITIER ELECTRIQUE POUR LUNA 3 MAX HTE | 1.000 |
| 152 | SX5412490 | PANNEAU DE COMMANDE LUNA 3(5412490) | 1.000 |
| 153 | SX5407660 | COUVERCLE BRANCHE.ELECTRIQUE (5407660) | 1.000 |
| 154 | SX5691520 | CIRC.IMPR.LMU34 | 1.000 |
| 162 | SX5412500 | PLASTRON SERIGRAPHIE LUNA3(5412500) | 1.000 |
| 166 | SX8421590 | BORNIER DE RACCORDEMENT (PDM8421590) | 1.000 |
| 167 | SX5405340 | PORTE-FUSIBLES (x3) (PDM5405340) | 1.000 |
| 168 | SX9950580 | FUSIBLES 2A 250V (X10) (9950580) | 1.000 |
| 169 | SX9951650 | MANOMETRE AVEC SUPPORT (9951650) | 1.000 |
| 18 | SX5663490 | VENTURI D=21 (5663490) | 1.000 |
| 192 | SX5404650 | JOINT G3/4" 17x24x2 (X10) # | 1.000 |
| 2 | SX5116220 | PANNEAU COTE GAUCHE (5116220) | 1.000 |
| 21 | SX5402050 | JOINT 6,1x11,5x1,5 (X3) | 1.000 |
| 22 | SX5691840 | VENTILATEUR RG 128/1300 | 1.000 |
| 22 | SX5686970 | VENTILATEUR RG 128/1300 | 1.000 |
| 232 | SX5690110 | CIRCUIT IMPRIME AGU 2.002 (5690110) | 1.000 |
| 234 | SX5687180 | TUBE DISCONNECTEUR WATTS LUNA3 (5687180) | 1.000 |
| 236 | SX5658650 | DISCONNECTEUR WATTS(jjj005658650) | 1.000 |
| 240 | SX0618480 | CLAPET AVEC RACCORD ET O RING (0618480) | 1.000 |
| 242 | SX8435270 | SONDE CTN FUMEE | 1.000 |
| 27 | SX5116590 | CHAMBRE ETANCHE | 1.000 |
| 280 | SX5207730 | JOINT 14,2X18X1,5 AL-18 (x3) (5207730) | 1.000 |
| 29 | SX5412010 | PANNEAU ISOLANT ARRIERE (5412010) | 1.000 |
| 3 | SX5116210 | PANNEAU COTE DROIT (5116210) | 1.000 |
| 30 | SX5411020 | PANNEAU ISOLANT (5411020) | 1.000 |
| 32 | SX5671950 | ECHANGEUR PRINCIPAL 5E (5671950) | 1.000 |
| 33 | SX5403130 | O-RING 22X3 EPDM (x3) (5403130) | 1.000 |
| 336 | SX8380680 | RESSORT FIX MOTEUR V3V | 1.000 |
| 337 | SX5647340 | MOTEUR V3V ELBI | 1.000 |

ZENIS 3 EASY 2.28 HTE - HLM456283580

| Repère | Référence | Désignation | Quantité |
|--------|-----------|--|----------|
| 34 | SX8380860 | CLIPS ECHANGEUR PRINCIPAL | 1.000 |
| 340 | SX9951690 | PRESSOSTAT CHAUFFAGE (9951690) | 1.000 |
| 347 | S71410971 | INTERFACE HTE IDEAL STANDARD (C71410971) | 1.000 |
| 35 | SX5662620 | VASE D'EXPANSION 8L (5662620) | 1.000 |
| 37 | SX5689640 | PANNEAU AVANT CHAMBRE ETANCHE (5689640) | 1.000 |
| 382 | SX8511130 | CABLE ELECTRODE IONISATION | 1.000 |
| 4 | SX5116640 | PANNEAU AVANT LUNA 3 (5116640) | 1.000 |
| 408 | SX5212900 | BRIDE CHAMBRE DE COMBUSTION | 1.000 |
| 409 | SX5410740 | JOINT ECHANGEUR HTE (5410740) | 1.000 |
| 41 | SX5681860 | BRULEUR 5 BECS (5681860) | 1.000 |
| 41 | SX5672010 | BRULEUR 5 E (5672010) | 1.000 |
| 411 | SX5409110 | JOINT ELECTRODE IONI.(5409110) | 1.000 |
| 415 | SX5682350 | ENS.SIPHON HYDRAULIQUE (5682350) | 1.000 |
| 419 | SX5411000 | JOINT BRIDE/ECHANGEUR | 1.000 |
| 421 | SX5408270 | O-RING 11,91x2,62 EPDMR | 1.000 |
| 423 | SX5210410 | RACCORD VANNE GAZ | 1.000 |
| 425 | SX5411420 | JOINT EXTRACTEUR (5411420) | 1.000 |
| 428 | SX5409290 | JOINT HUBLLOT (X3) (5409290) | 1.000 |
| 432 | SX5410420 | JOINT FUMES Ø60 | 1.000 |
| 435 | SX5407550 | JOINT FUMES Ø100 (5407550) | 1.000 |
| 445 | SX5410980 | TUBE SIPHON HYDR.2 PRISE L:350 | 1.000 |
| 459 | SX5411610 | EVACUATION CONDENSAT EPDM | 1.000 |
| 46 | SX5672030 | TUBE GAZ (5672030) | 1.000 |
| 48 | SX5412170 | PLATEAU PORTE CONDENSATION (5412170) | 1.000 |
| 49 | SX5409280 | BOUCHON RACCORD.VENTOUSE (5409280) | 1.000 |
| 493 | SX0612130 | ENS.POIGNEE L:50 (612130) | 1.000 |
| 496 | SX0400020 | O-RING 2062 (x3) (400020) | 1.000 |
| 498 | SX0400030 | JOINT O RING (0400030) | 1.000 |
| 510 | SX0600760 | ENS.OBTURATEUR SANITAIRE (600760) | 1.000 |
| 511 | SX5404600 | O-RING 17,86X2,62 (X3) | 1.000 |
| 516 | SX5210670 | PISTON (5210670) | 1.000 |
| 518 | SX5112040 | CHEVILLE PANNEAU COMMANDE (5112040) | 1.000 |
| 525 | SX8435260 | ALLUMEUR ANSTOS ZAG 2XV01 (8435260) | 1.000 |
| 563 | SX8435480 | INTERRUPTEUR SIGNAL (8435480) | 1.000 |
| 59 | SX8511140 | CABLE ELECT.ALLUMAGE (8511140) | 1.000 |
| 59 | SX8513520 | CABLE ELECT.D'ALLUMAGE L=250 | 1.000 |
| 600 | SX5112530 | RESSORT FIXATION DISCONNECTEUR (5112530) | 1.000 |
| 601 | SX5408560 | O-RING 8,73X1,78 (x3) (5408560) | 1.000 |
| 624 | SX8435280 | CAPTEUR DE HALL (8435280) | 1.000 |
| 63 | SX8422830 | ELECTRODE D'ALLUMAGE LUNA HTE (8422830) | 1.000 |
| 631 | SX5685240 | TUBE DEGAZEUR (5685240) | 1.000 |
| 647 | SX5652730 | DEGAZEUR G 3/8 (5652730) | 1.000 |
| 65 | SX8422840 | ELECTRODE IONIS.LUNA HTE (8422840) | 1.000 |
| 673 | SX5412190 | TUBE EN SILICONE | 1.000 |
| 677 | SX5212930 | RALLONGE BRULEUR 5E (5212930) | 1.000 |
| 678 | SX5672130 | ENS.POIGNEE L=50 | 1.000 |
| 679 | SX8511150 | CABLE MASSE ELECTR.D'ALL.L=270(8511150) | 1.000 |
| 680 | SX5409250 | JOINT PASSE-TUBE D:15 | 1.000 |

ZENIS 3 EASY 2.28 HTE - HLM456283580

| Repère | Référence | Désignation | Quantité |
|--------|-----------|--|----------|
| 681 | SX5409120 | JOINT ELECTRODE ALLU.(5409120) | 1.000 |
| 682 | SX5211800 | HUBLOT (5211800) | 1.000 |
| 70 | SX5672040 | TUBE POMPE ECHANGEUR (5672040) | 1.000 |
| 708 | SX5410970 | JOINT D:60 (5410970) | 1.000 |
| 709 | SX8423160 | DOMINOS PORTE FUSIBLE(8423160) | 1.000 |
| 710 | SX5411030 | JOINT D:80 (5411030) | 1.000 |
| 72 | SX5659550 | POMPE GRUNDFOS 15/60 | 1.000 |
| 73 | SX0607290 | DEGAZEUR (607290) | 1.000 |
| 732 | SX0620210 | RESSORT (0620210) | 1.000 |
| 74 | SX5406360 | O-RING 14X1,78 (x3) | 1.000 |
| 75 | SX5409240 | JOINT TUBE/CAISSON D:10 (5409240) | 1.000 |
| 752 | SX5214080 | PANNEAU ISOLATION INSONORE | 1.000 |
| 753 | SX5214090 | PANNEAU FRO.ISOLATION INSONORE | 1.000 |
| 76 | SX5689930 | ECHANGEUR SANITAIRE 20 PLAQUES (5689930) | 1.000 |
| 77 | SX5404520 | JOINT ECHANGEUR SANITAIRE(x4) (PDM5404520) | 1.000 |
| 8 | SX5410790 | TUBE SILICONE PRESSOSTAT (5410790) | 1.000 |
| 80 | SX5671530 | GR. ENT SANIT.8L/RET CHAUFF | 1.000 |
| 81 | SX0617060 | GROUPE FILTRE LIMITEUR 8L (0617060) | 1.000 |
| 83 | SX5666110 | LIMITEUR DEBIT SANIT.8L/MN | 1.000 |
| 87 | SX5210710 | ELEMENT DE CONNECTION POMPE (5210710) | 1.000 |
| 90 | SX0611930 | ROBINET DE REMPLISSAGE (611930) | 1.000 |
| 91 | SX5652030 | ROBINET DE VIDANGE (PDM5652030) | 1.000 |
| 92 | SX9951170 | SOUPAPE DE SECURITE 3BARS (9951170) | 1.000 |
| 98 | SX5212890 | TUBE BY-PASS (5212890) | 1.000 |
| 99 | SX8380850 | CLIP TUBE BY-PASS | 1.000 |
| 999 | SX8511230 | CABLE MASSE (8511230) | 1.000 |
| 999 | SX8511160 | CABLE X2/ALLUMEUR-VENT | 1.000 |
| 999 | SX8511170 | CABLE X401/EXTR-TH-CTN | 1.000 |
| 999 | SX8414620 | CABLE M1 ALIM ELEC (8414620) | 1.000 |
| 999 | SX8512770 | CABLE M2/RCM MALE | 1.000 |
| 999 | SX8513250 | CABLE AGU/M2-RCM | 1.000 |
| 999 | SX8513270 | CABLE X1/M1 ALIM | 1.000 |
| 999 | SX8418860 | CONNECTEUR PONT TIMER (8418860) | 1.000 |
| 999 | SX8511220 | CABLE MASSE CIRCUIT IMPRIME (8511220) | 1.000 |
| 999 | SX8513240 | CABLE X3/V3V-POMP-VG | 1.000 |
| 999 | SX8511190 | CABLE X400/CTN-BALLON-EXT-PRESS | 1.000 |
| 999 | SX8512780 | CABLE M2/RCM FEMELLE | 1.000 |
| 999 | SX8513260 | CABLE AGU/M2-RELAIS AUX | 1.000 |



ZENIS 3 EASY HTE

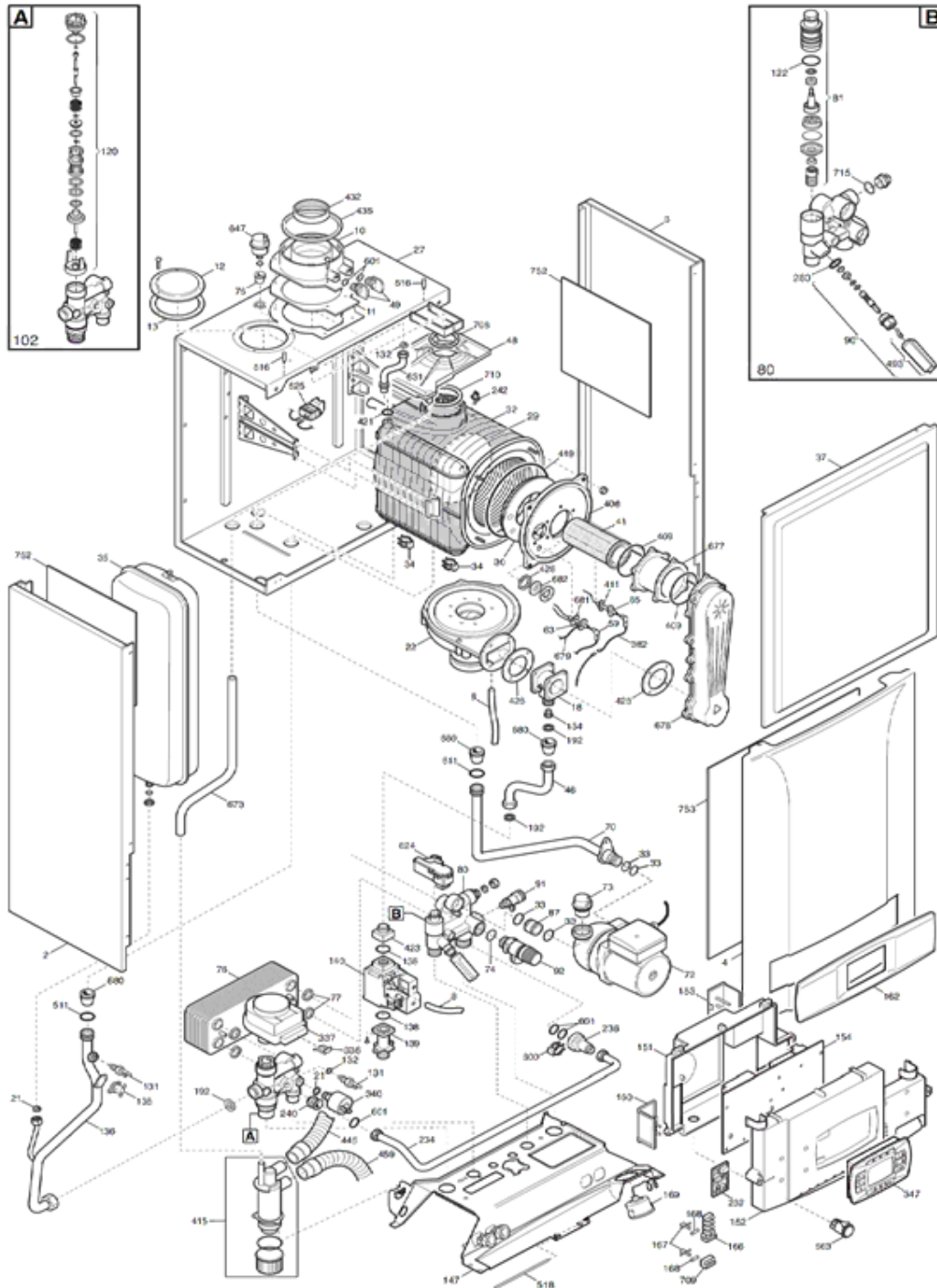
N° 1756

HLM456283581/2

ZENIS 3 2.28 HTE

Tab 328

Tab 328



ZENIS 3 EASY 2.28 HTE - HLM456283581/2

| Repère | Référence | Désignation | Quantité |
|--------|-----------|--|----------|
| 10 | SX5409020 | RACCORDEMENT VENTOUSE (5409020) | 1.000 |
| 102 | SX5696040 | ENS.VANNE 3 VOIES | 1.000 |
| 11 | SX5409010 | JOINT VENTOUSE CAOUTCHOUC (5409010) | 1.000 |
| 12 | SX5108690 | OBTURATEUR (5108690) | 1.000 |
| 120 | SX0626710 | BOUCHON AVANT(GROUPE)10.0355- | 1.000 |
| 122 | SX5405370 | O-RING "FILTRE SANITAIRE" (x3) (5405370) | 1.000 |
| 13 | SX5407400 | JOINT OBTURATEUR DECOUPE (x3) | 1.000 |
| 131 | SX8435400 | SONDE CTN (8435400) | 1.000 |
| 132 | SX5402830 | JOINT SONDE SANITAIRE (X10) (PDM5402830) | 1.000 |
| 134 | SX5212140 | DIAPHRAGME GAZ D:7,5 (5212140) | 1.000 |
| 135 | SX9950760 | SECURITE SURCHAUFFE 105° (9950760) | 1.000 |
| 136 | SX5681400 | TUBE V3V/ECHANGEUR | 1.000 |
| 138 | SX5402010 | JOINT O-RING (x3) (PDM5402010) | 1.000 |
| 139 | SX5206620 | RACCORD ENTREE GAZ (5206620) | 1.000 |
| 140 | SX5671930 | VANNE GAZ SIT 848 SIGMA <40kw | 1.000 |
| 147 | SX5680910 | TRAVERSE LUNA 3 (5680910) | 1.000 |
| 150 | SX5412180 | COUVERCLE (5412180) | 1.000 |
| 151 | SX5413400 | COUVERCLE BOITIER ELECTRIQUE POUR LUNA 3 MAX HTE | 1.000 |
| 152 | SX5412490 | PANNEAU DE COMMANDE LUNA 3(5412490) | 1.000 |
| 153 | SX5407660 | COUVERCLE BRANCHE.ELECTRIQUE (5407660) | 1.000 |
| 154 | SX5691520 | CIRC.IMPR.LMU34 | 1.000 |
| 162 | SX5412500 | PLASTRON SERIGRAPHIE LUNA3(5412500) | 1.000 |
| 166 | SX8421590 | BORNIER DE RACCORDEMENT (PDM8421590) | 1.000 |
| 167 | SX5405340 | PORTE-FUSIBLES (x3) (PDM5405340) | 1.000 |
| 168 | SX9950580 | FUSIBLES 2A 250V (X10) (9950580) | 1.000 |
| 169 | SX9951650 | MANOMETRE AVEC SUPPORT (9951650) | 1.000 |
| 18 | SX5663490 | VENTURI D=21 (5663490) | 1.000 |
| 192 | SX5404650 | JOINT G3/4" 17x24x2 (X10) # | 1.000 |
| 2 | SX5116220 | PANNEAU COTE GAUCHE (5116220) | 1.000 |
| 21 | SX5402050 | JOINT 6,1x11,5x1,5 (X3) | 1.000 |
| 22 | SX5691840 | VENTILATEUR RG 128/1300 | 1.000 |
| 232 | SX5690110 | CIRCUIT IMPRIME AGU 2.002 (5690110) | 1.000 |
| 234 | SX5687180 | TUBE DISCONNECTEUR WATTS LUNA3 (5687180) | 1.000 |
| 236 | SX5658650 | DISCONNECTEUR WATTS(jjj005658650) | 1.000 |
| 240 | SX0618480 | CLAPET AVEC RACCORD ET O RING (0618480) | 1.000 |
| 242 | SX8435270 | SONDE CTN FUMEE | 1.000 |
| 27 | SX5116590 | CHAMBRE ETANCHE | 1.000 |
| 280 | SX5207730 | JOINT 14,2X18X1,5 AL-18 (x3) (5207730) | 1.000 |
| 29 | SX5412010 | PANNEAU ISOLANT ARRIERE (5412010) | 1.000 |
| 3 | SX5116210 | PANNEAU COTE DROIT (5116210) | 1.000 |
| 30 | SX5411020 | PANNEAU ISOLANT (5411020) | 1.000 |
| 32 | SX5671950 | ECHANGEUR PRINCIPAL 5E (5671950) | 1.000 |
| 33 | SX5403130 | O-RING 22X3 EPDM (x3) (5403130) | 1.000 |
| 336 | SX8380680 | RESSORT FIX MOTEUR V3V | 1.000 |
| 337 | SX5694580 | MOTEUR V3V ELBI | 1.000 |
| 34 | SX8380860 | CLIPS ECHANGEUR PRINCIPAL | 1.000 |
| 340 | SX9951690 | PRESSOSTAT CHAUFFAGE (9951690) | 1.000 |
| 347 | S71410971 | INTERFACE HTE IDEAL STANDARD (C71410971) | 1.000 |

ZENIS 3 EASY 2.28 HTE - HLM456283581/2

| Repère | Référence | Désignation | Quantité |
|--------|-----------|--|----------|
| 35 | SX5662620 | VASE D'EXPANSION 8L (5662620) | 1.000 |
| 37 | SX5689640 | PANNEAU AVANT CHAMBRE ETANCHE (5689640) | 1.000 |
| 382 | SX8511130 | CABLE ELECTRODE IONISATION | 1.000 |
| 4 | SX5116640 | PANNEAU AVANT LUNA 3 (5116640) | 1.000 |
| 408 | SX5212900 | BRIDE CHAMBRE DE COMBUSTION | 1.000 |
| 409 | SX5410740 | JOINT ECHANGEUR HTE (5410740) | 1.000 |
| 41 | SX5672010 | BRULEUR 5 E (5672010) | 1.000 |
| 41 | SX5681860 | BRULEUR 5 BECS (5681860) | 1.000 |
| 411 | SX5409110 | JOINT ELECTRODE IONI.(5409110) | 1.000 |
| 415 | SX5682350 | ENS.SIPHON HYDRAULIQUE (5682350) | 1.000 |
| 419 | SX5411000 | JOINT BRIDE/ECHANGEUR | 1.000 |
| 423 | SX5210410 | RACCORD VANNE GAZ | 1.000 |
| 425 | SX5411420 | JOINT EXTRACTEUR (5411420) | 1.000 |
| 428 | SX5409290 | JOINT HUBLOT (X3) (5409290) | 1.000 |
| 432 | SX5410420 | JOINT FUMEEES Ø60 | 1.000 |
| 435 | SX5407550 | JOINT FUMEEES Ø100 (5407550) | 1.000 |
| 445 | SX5410980 | TUBE SIPHON HYDR.2 PRISE L:350 | 1.000 |
| 459 | SX5411610 | EVACUATION CONDENSAT EPDM | 1.000 |
| 46 | SX5672030 | TUBE GAZ (5672030) | 1.000 |
| 48 | SX5412170 | PLATEAU PORTE CONDENSATION (5412170) | 1.000 |
| 49 | SX5409280 | BOUCHON RACCORD.VENTOUSE (5409280) | 1.000 |
| 491 | SX0624440 | BOUCHON FILTRE | 1.000 |
| 493 | SX0612130 | ENS.POIGNEE L:50 (612130) | 1.000 |
| 496 | SX0400020 | O-RING 2062 (x3) (400020) | 1.000 |
| 511 | SX5404600 | O-RING 17,86X2,62 (X3) | 1.000 |
| 516 | SX5210670 | PISTON (5210670) | 1.000 |
| 518 | SX5112040 | CHEVILLE PANNEAU COMMANDE (5112040) | 1.000 |
| 525 | SX8435260 | ALLUMEUR ANSTOS ZAG 2XV01 (8435260) | 1.000 |
| 563 | SX8435480 | INTERRUPTEUR SIGNAL (8435480) | 1.000 |
| 59 | SX8513520 | CABLE ELECT.D'ALLUMAGE L=250 | 1.000 |
| 600 | SX5112530 | RESSORT FIXATION DISCONNECTEUR (5112530) | 1.000 |
| 601 | SX5408560 | O-RING 8,73X1,78 (x3) (5408560) | 1.000 |
| 624 | SX8435280 | CAPTEUR DE HALL (8435280) | 1.000 |
| 63 | SX8422830 | ELECTRODE D'ALLUMAGE LUNA HTE (8422830) | 1.000 |
| 631 | SX5685240 | TUBE DEGAZEUR (5685240) | 1.000 |
| 647 | SX5652730 | DEGAZEUR G 3/8 (5652730) | 1.000 |
| 65 | SX8422840 | ELECTRODE IONIS.LUNA HTE (8422840) | 1.000 |
| 673 | SX5412190 | TUBE EN SILICONE | 1.000 |
| 677 | SX5212930 | RALLONGE BRULEUR 5E (5212930) | 1.000 |
| 678 | SX5672130 | ENS.POIGNEE L=50 | 1.000 |
| 679 | SX8511150 | CABLE MASSE ELECTR.D'ALL.L=270(8511150) | 1.000 |
| 680 | SX5409250 | JOINT PASSE-TUBE D:15 | 1.000 |
| 681 | SX5409120 | JOINT ELECTRODE ALLU.(5409120) | 1.000 |
| 682 | SX5211800 | HUBLOT (5211800) | 1.000 |
| 70 | SX5672040 | TUBE POMPE ECHANGEUR (5672040) | 1.000 |
| 708 | SX5410970 | JOINT D:60 (5410970) | 1.000 |
| 709 | SX8423160 | DOMINOS PORTE FUSIBLE(8423160) | 1.000 |
| 710 | SX5411030 | JOINT D:80 (5411030) | 1.000 |

ZENIS 3 EASY 2.28 HTE - HLM456283581/2

| Repère | Référence | Désignation | Quantité |
|--------|-----------|--|----------|
| 72 | SX5659550 | POMPE GRUNDFOS 15/60 | 1.000 |
| 73 | SX0607290 | DEGAZEUR (607290) | 1.000 |
| 74 | SX5406360 | O-RING 14X1,78 (x3) | 1.000 |
| 75 | SX5409240 | JOINT TUBE/CAISSON D:10 (5409240) | 1.000 |
| 752 | SX5214080 | PANNEAU ISOLATION INSONORE | 1.000 |
| 753 | SX5214090 | PANNEAU FRO.ISOLATION INSONORE | 1.000 |
| 76 | SX5689930 | ECHANGEUR SANITAIRE 20 PLAQUES (5689930) | 1.000 |
| 77 | SX5404520 | JOINT ECHANGEUR SANITAIRE(x4) (PDM5404520) | 1.000 |
| 8 | SX5410790 | TUBE SILICONE PRESSOSTAT (5410790) | 1.000 |
| 80 | SX5696230 | GR.ENTR.SAN.RET.CHAUFF/15.0736 | 1.000 |
| 81 | SX0617060 | GROUPE FILTRE LIMITEUR 8L (0617060) | 1.000 |
| 83 | SX5666110 | LIMITEUR DEBIT SANIT.8L/MN | 1.000 |
| 87 | SX5210710 | ELEMENT DE CONNECTION POMPE (5210710) | 1.000 |
| 90 | SX0611930 | ROBINET DE REMPLISSAGE (611930) | 1.000 |
| 91 | SX5652030 | ROBINET DE VIDANGE (PDM5652030) | 1.000 |
| 92 | SX9951170 | SOUPAPE DE SECURITE 3BARS (9951170) | 1.000 |
| 999 | SX8513240 | CABLE X3/V3V-POMP-VG | 1.000 |
| 999 | SX8511190 | CABLE X400/CTN-BALLON-EXT-PRESS | 1.000 |
| 999 | SX8512780 | CABLE M2/RCM FEMELLE | 1.000 |
| 999 | SX8513260 | CABLE AGU/M2-RELAIS AUX | 1.000 |
| 999 | SX8512770 | CABLE M2/RCM MALE | 1.000 |
| 999 | SX8513250 | CABLE AGU/M2-RCM | 1.000 |
| 999 | SX8513270 | CABLE X1/M1 ALIM | 1.000 |
| 999 | SX8511160 | CABLE X2/ALLUMEUR-VENT | 1.000 |
| 999 | SX8511170 | CABLE X401/EXTR-TH-CTN | 1.000 |
| 999 | SX8414620 | CABLE M1 ALIM ELEC (8414620) | 1.000 |
| 999 | SX8511230 | CABLE MASSE (8511230) | 1.000 |
| 999 | SX8418860 | CONNECTEUR PONT TIMER (8418860) | 1.000 |
| 999 | SX8511220 | CABLE MASSE CIRCUIT IMPRIME (8511220) | 1.000 |