



LUNA 3 HTE DUO

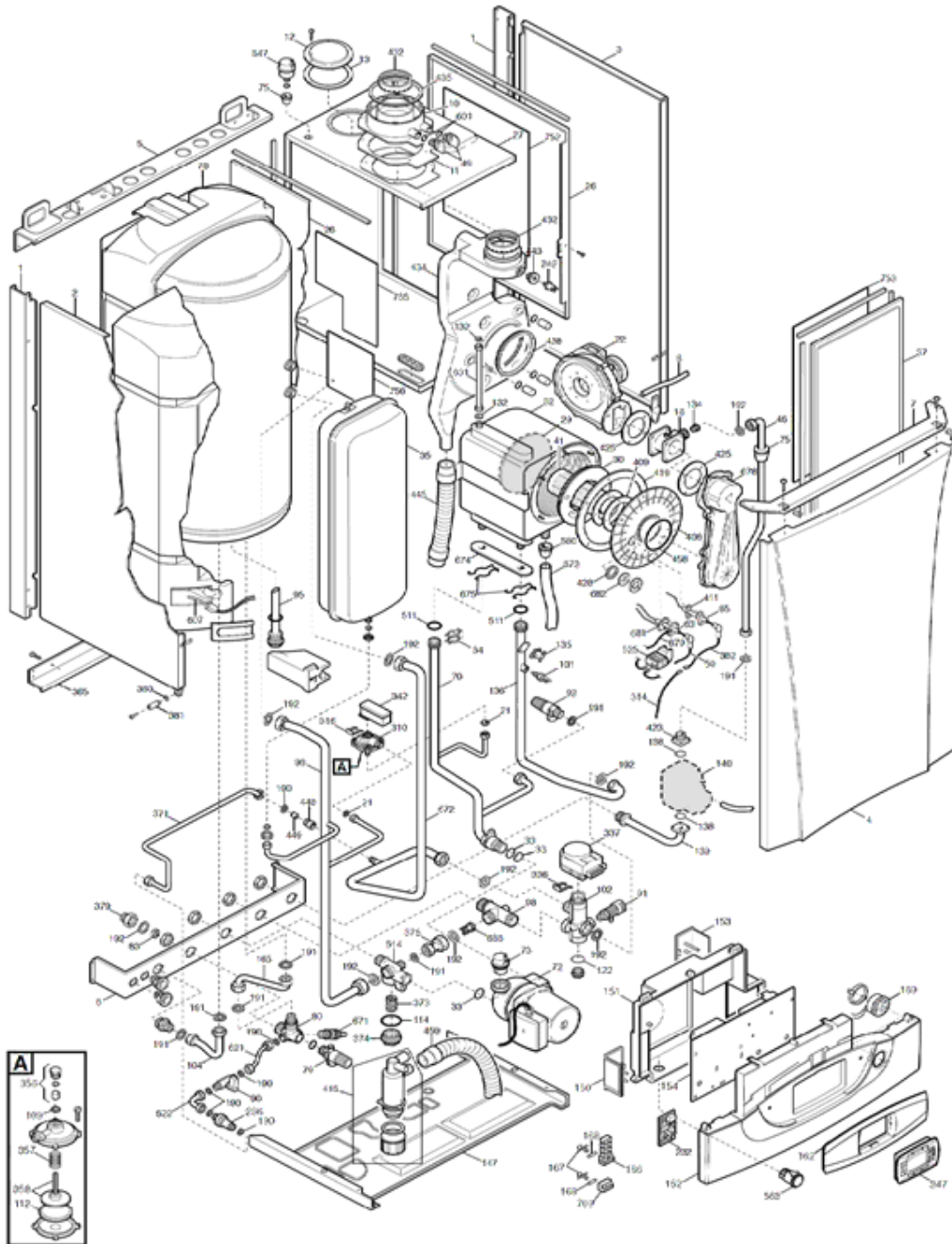
N° 1755

HPN457243580/1

LUNA 3 3.24 HTE

Tab 268

Tab 268



HPN457243580/1 - LUNA 3 DUO 3.24 HTE

Repère	Référence	Désignation	Quantité
1	SX5116480	MONTANT LATERAL (5116480)	1.000
10	SX5409990	RACCORDEMENT VENTOUSE	1.000
102	SX5663040	ENS.VANNE 3 VOIES (5663040)	1.000
104	SX5668570	CONNEXION DEPART ECS	1.000
109	SX5207810	JOINT (x3) (5207810)	1.000
11	SX5409010	JOINT VENTOUSE CAOUTCHOUC (5409010)	1.000
112	SX5405320	MEMBRANE SECURITE DEBIT D'EAU (x3) (PDM5405320)	1.000
114	SX0400200	JOINT 25,2x2,62 (x3)	1.000
12	SX5108690	OBTURATEUR (5108690)	1.000
122	SX5405370	O-RING "FILTRE SANITAIRE" (x3) (5405370)	1.000
13	SX5407400	JOINT OBTURATEUR DECOUPE (x3)	1.000
131	SX8435400	SONDE CTN (8435400)	1.000
132	SX5402830	JOINT SONDE SANITAIRE (X10) (PDM5402830)	1.000
134	SX5212140	DIAPHRAGME GAZ D:7,5 (5212140)	1.000
135	SX9950760	SECURITE SURCHAUFFE 105° (9950760)	1.000
136	SX5691340	TUBE V3V/ECHANGEUR DUO	1.000
138	SX5402010	JOINT O-RING (x3) (PDM5402010)	1.000
139	SX5637870	TUBE ENTREE GAZ	1.000
140	SX5671930	VANNE GAZ SIT 848 SIGMA <40kw	1.000
147	SX5116500	PANNEAU INFERIEUR JAQUETTE (5116500)	1.000
150	SX5412180	COUVERCLE (5412180)	1.000
151	SX5413400	COUVERCLE BOITIER ELECTRIQUE POUR LUNA 3 MAX HTE	1.000
152	SX5413280	PANNEAU DE COMMANDE LUNA3 DUO	1.000
153	SX5407660	COUVERCLE BRANCHE.ELECTRIQUE (5407660)	1.000
154	SX5691530	CIRC.IMPR.LMU34B	1.000
162	SX5413290	PLASTRON SERIGRAPHIE LUNA3 DUO	1.000
165	SX5668580	TUBE ENTREE SANITAIRE	1.000
166	SX8421590	BORNIER DE RACCORDEMENT (PDM8421590)	1.000
167	SX5405340	PORTE-FUSIBLES (x3) (PDM5405340)	1.000
168	SX9950580	FUSIBLES 2A 250V (X10) (9950580)	1.000
169	SX9951830	MANOMETRE AVEC SUPPORT (9951830)	1.000
18	SX5663490	VENTURI D=21 (5663490)	1.000
190	SX5404970	JOINT 3/8" (x10) (PDM5404970)	1.000
191	SX5408970	JOINT G1/2" (5408970)	1.000
192	SX5404650	JOINT G3/4" 17x24x2 (X10) #	1.000
2	SX5684630	PANNEAU COTE GAUCHE	1.000
21	SX5402050	JOINT 6,1x11,5x1,5 (X3)	1.000
22	SX5686970	VENTILATEUR RG 128/1300	1.000
22	SX5691840	VENTILATEUR RG 128/1300	1.000
232	SX5690110	CIRCUIT IMPRIME AGU 2.002 (5690110)	1.000
236	SX5625310	DISCONNECTEUR CALEFFI DUO (PDM5625310)	1.000
242	SX8434830	SECURITE DE DEBORDEMENT 75° (8434830)	1.000
26	SX5114000	PANNEAU COTE CHAMBRE ETANCHE	1.000
27	SX5114120	CHAMBRE ETANCHE DUO HTE	1.000
29	SX5410450	PANNEAU ISOL.ARRIERE (5410450)	1.000
3	SX5684620	PANNEAU COTE DROIT (5684620)	1.000
30	SX5409100	PANNEAU ISOLANT (5409100)	1.000
310	SX5641850	PRESSOSTAT POMPE (5641850)	1.000

HPN457243580/1 - LUNA 3 DUO 3.24 HTE

Repère	Référence	Désignation	Quantité
314	SX8510580	CABLE ELECTRODE IONISATION	1.000
316	SX8380610	RESSORT FIX.MICRO (8380610)	1.000
32	SX5664270	ECHANGEUR PRINCIP.4E (5664270)	1.000
33	SX5403130	O-RING 22X3 EPDM (x3) (5403130)	1.000
336	SX8380680	RESSORT FIX MOTEUR V3V	1.000
337	SX5647340	MOTEUR V3V ELBI	1.000
34	SX5113650	CLIPS ECHANGEUR PRINCIPAL	1.000
342	SX5641800	MICRO-INTERRUPTEUR V3V	1.000
347	S71410961	INTERFACE HTE CHAPPEE(C71410961)	1.000
35	SX5629130	VASE D'EXPANSION 7,5L	1.000
356	SX5634820	BOUCHON AVANT (GROUPE) (5634820)	1.000
357	SX8380600	RESSORT SECURITE DEBIT D'EAU (8380600)	1.000
358	SX5634830	BOUCHON PRESSOSTAT (5634830)	1.000
365	SX5106530	TRAVERSE ARRIERE INFERIEURE	1.000
37	SX5690970	FACADE FOYER	1.000
371	SX5668590	TUBE REMPLISSAGE CIRCUIT CHAUFFAGE	1.000
373	SX5109080	FILTRE CHAUFFAGE (PDM5109080)	1.000
374	SX5212030	BOUCHON PORTE FILTRE M30	1.000
375	SX5663030	TUBE BY-PASS (5663030)	1.000
379	SX5206120	REDUCTION FM G 3/4-1/2 (5206120)	1.000
380	SX5400620	JOINT 4,47x1,78 (5400620)	1.000
381	SX5209830	PIVOT PANNEAU COMMANDE (5209830)	1.000
382	SX8511130	CABLE ELECTRODE IONISATION	1.000
4	SX5116470	PANNEAU AVANT DUO (5116470)	1.000
408	SX5211790	BRIDE RACCORD ECHANGEUR (5211790)	1.000
409	SX5409090	JOINT ECHANGEUR HTE (5409090)	1.000
41	SX5663250	BRULEUR 4 BECS (5663250)	1.000
411	SX5409110	JOINT ELECTRODE IONI.(5409110)	1.000
415	SX5677920	BOITIER SIPHON HYDRAULIQUE (5677920)	1.000
419	SX5409080	JOINT BRIDE/ECHANGEUR (5409070)	1.000
423	SX5210410	RACCORD VANNE GAZ	1.000
425	SX5411420	JOINT EXTRACTEUR (5411420)	1.000
428	SX5409290	JOINT HUBLOT (X3) (5409290)	1.000
432	SX5410420	JOINT FUMEEES Ø60	1.000
434	SX5682330	COLLECTEUR DE FUMEE DUO HTE	1.000
435	SX5407550	JOINT FUMEEES Ø100 (5407550)	1.000
438	SX5410480	JOINT COLLECT/FUMEEES (5410480)	1.000
443	SX5212090	RACCORD SECU.DEBORD. (5212090)	1.000
445	SX5409310	TUBE SIPHON HYDRAU. (5409310)	1.000
448	SX5209230	PORTE CLAPET ANTIRETOUR	1.000
449	SX5640030	CLAPET ANTI RETOUR (5640030)	1.000
458	SX5409350	O-RING 2,62x58,42	1.000
459	SX5411610	EVACUATION CONDENSAT EPDM	1.000
46	SX5666540	TUBE GAZ	1.000
49	SX5409280	BOUCHON RACCORD.VENTOUSE (5409280)	1.000
5	SX5114030	TRAVERSE ARRIERE SUPERIEURE	1.000
511	SX5404600	O-RING 17,86X2,62 (X3)	1.000
514	SX5663010	RACCORD R.C/POMPE/FILTRE (5663010)	1.000

HPN457243580/1 - LUNA 3 DUO 3.24 HTE

Repère	Référence	Désignation	Quantité
525	SX8435260	ALLUMEUR ANSTOS ZAG 2XV01 (8435260)	1.000
563	SX8435480	INTERRUPTEUR SIGNAL (8435480)	1.000
59	SX8511140	CABLE ELECT.ALLUMAGE (8511140)	1.000
6	SX5106550	TRAVERSE PLATINE HYDRAULIQUE (5106550)	1.000
601	SX5408560	O-RING 8,73X1,78 (x3) (5408560)	1.000
607	SX8434930	SONDE CTN SANITAIRE	1.000
621	SX5663120	TUBE REMPLISSAGE /CHAUFFAGE (5663120)	1.000
622	SX5622860	TUBE BALLON/DISCONNECTEUR	1.000
63	SX8422830	ELECTRODE D'ALLUMAGE LUNA HTE (8422830)	1.000
631	SX5663310	TUBE DEGAZEUR (5663310)	1.000
647	SX5652730	DEGAZEUR G 3/8 (5652730)	1.000
65	SX8422840	ELECTRODE IONIS.LUNA HTE (8422840)	1.000
671	SX5646780	ROBINET DE VIDANGE (5646780)	1.000
672	SX5668560	TUBE SORTIE SERPENT/RAC/PRESS.	1.000
673	SX5410030	TUBE PVC 15x23 L=280	1.000
674	SX5409390	JOINT ECHANGEUR 4E (x4) (5409390)	1.000
675	SX8380780	RESSORT FIXAT.ECHANG.(8380780)	1.000
677	SX5212010	PROLONGE 4 ELEMENTS (5212010)	1.000
678	SX5665130	ENS.COUCVERCLE AIR/GAZ(5665130)	1.000
679	SX8511150	CABLE MASSE ELECTR.D'ALL.L=270(8511150)	1.000
680	SX5409250	JOINT PASSE-TUBE D:15	1.000
681	SX5409120	JOINT ELECTRODE ALLU.(5409120)	1.000
682	SX5211800	HUBLOT (5211800)	1.000
686	SX5663020	CLAPET ANTI-RETOUR (5663020)	1.000
7	SX5107950	TRAVERSE SUPERIEURE AVANT (5107950)	1.000
70	SX5666530	TUBE POMPE-ECHANGEUR DUO	1.000
709	SX8423160	DOMINOS PORTE FUSIBLE(8423160)	1.000
72	SX5659550	POMPE GRUNDFOS 15/60	1.000
73	SX0607290	DEGAZEUR (607290)	1.000
75	SX5409240	JOINT TUBE/CAISSON D:10 (5409240)	1.000
752	SX5214110	COTE DROIT FOYER	1.000
753	SX5214120	PANNEAU FRO.ISOLATION INSONORE	1.000
755	SX5214140	PANNEAU ISOLATION INSONORE SX	1.000
756	SX5214150	PANNEAU ISOLATION INSONORE SX	1.000
78	SX5668540	BALLON	1.000
79	SX9950610	SOUPAPE DE SECURITE 7BARS	1.000
8	SX5410080	TUBE SILICONE PRESSOST.LG:800	1.000
80	SX5668600	RACCORD ENTREE SANITAIRE	1.000
83	SX5620090	LIMITEUR DEBIT SANIT.12L/MN	1.000
90	SX5622840	ROBINET DE REMPLISSAGE (5622840)	1.000
91	SX5652030	ROBINET DE VIDANGE (PDM5652030)	1.000
92	SX9950600	SOUPAPE DE SECURITE 3BARS	1.000
95	SX5668740	ANODE MAGNESIUM	1.000
96	SX5668550	TUBE V3V ENTREE SERPENTIN	1.000
98	SX5212040	TUBE BY-PASS CHAUFFAGE (5212040)	1.000
999	SX8512060	CABLE X401/EXTRC-TH-CTN (8512060)	1.000
999	SX8512090	CABLE X400/CTN-PRESSOSTAT (8512090)	1.000
999	SX8512070	CABLE MASSE (8512070)	1.000

HPN457243580/1 - LUNA 3 DUO 3.24 HTE

Repère	Référence	Désignation	Quantité
999	SX8512050	CABLE X2/ALLUM-EXTRC	1.000
999	SX8418860	CONNECTEUR PONT TIMER (8418860)	1.000
999	SX8512770	CABLE M2/RCM MALE	1.000
999	SX8513250	CABLE AGU/M2-RCM	1.000
999	SX8513340	CABLE X3/V3V-POMP-VG	1.000
999	SX8512780	CABLE M2/RCM FEMELLE	1.000
999	SX8513260	CABLE AGU/M2-RELAIS AUX	1.000
999	SX8513350	CABLE MASSE	1.000