



LUNA HTE PRIME

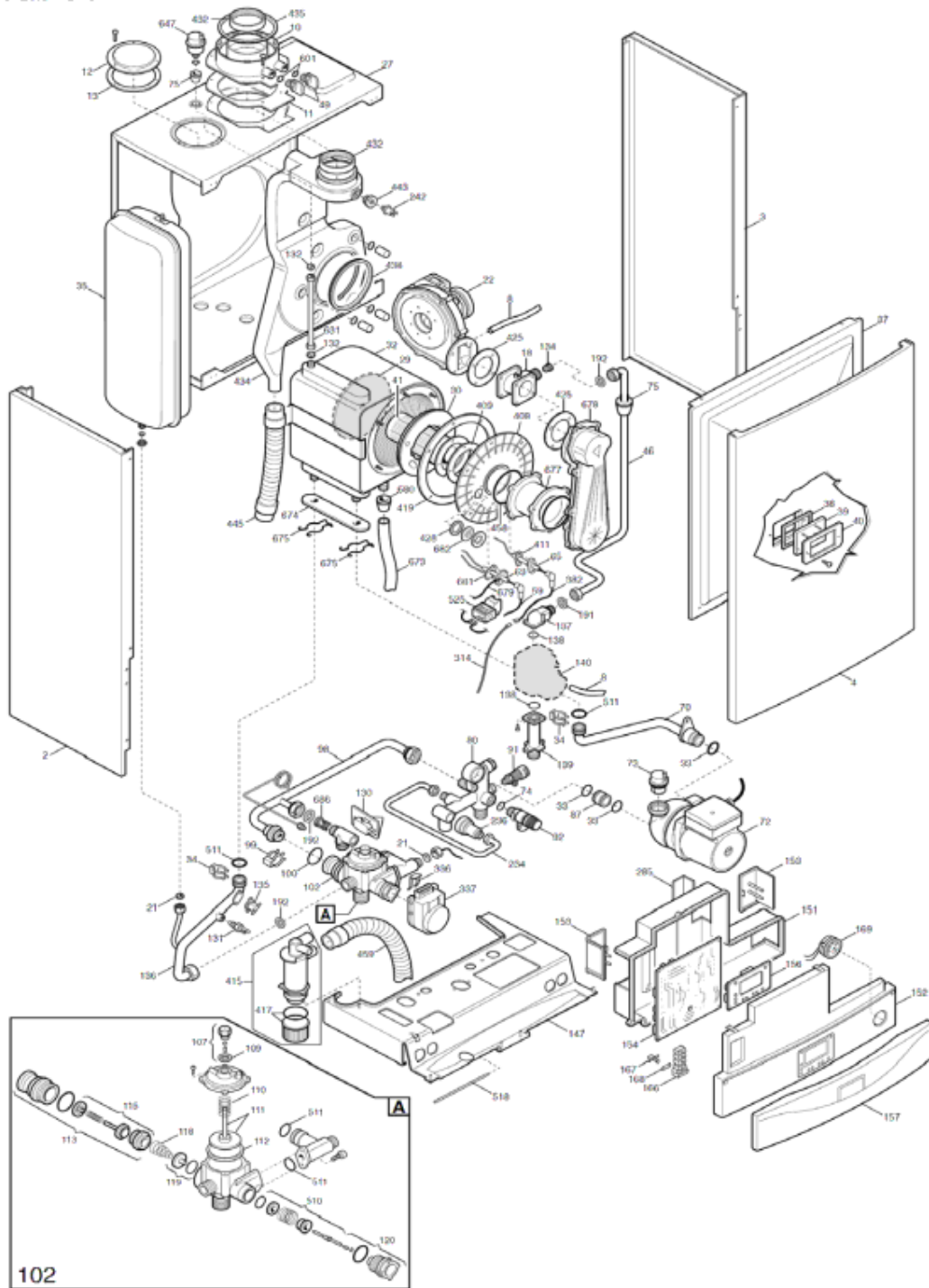
N° 1367

HPA435243090/1/2

LUNA 1.24 HTE

Tab 64

Tab 64



102

1

HPA435243090_1_2 - LUNA PRIME 1.24 HTE

Repère	Référence	Désignation	Quantité
10	SX5409020	RACCORDEMENT VENTOUSE (5409020)	1.000
100	SX5406630	JOINT D=13,94x2,62 (x3) (PDM5406630)	1.000
102	SX5658690	VANNE 3 VOIES (5658690)	1.000
107	SX5630250	ENSEMBLE RACCORD (5630250)	1.000
109	SX5207810	JOINT (x3) (5207810)	1.000
11	SX5409010	JOINT VENTOUSE CAOUTCHOUC (5409010)	1.000
110	SX8380530	RESSORT DEBIT D'EAU (8380530)	1.000
111	SX5630240	PLATEAU SECURITE D'EAU (5630240)	1.000
112	SX5405320	MEMBRANE SECURITE DEBIT D'EAU (x3) (PDM5405320)	1.000
113	SX5630190	GROUPE BY-PASS (PDM5630190)	1.000
115	SX5645660	GROUPE OBTUR.BY-PASS (5645660)	1.000
118	SX8380520	RESSORT BY-PASS (8380520)	1.000
119	SX0605760	CLAPET CHAUFFAGE V3V (605760)	1.000
12	SX5108690	OBTURATEUR (5108690)	1.000
120	SX0600750	BOUCHON V3V CHAUFFAGE	1.000
13	SX5407400	JOINT OBTURATEUR DECOUPE (x3)	1.000
130	SX5625770	MICRO-INTERRUPTEUR (x4) (PDM5625770)	1.000
131	SX8435400	SONDE CTN (8435400)	1.000
131	SX8434840	SONDE CTN CH et SN HTE (8434840)	1.000
132	SX5402830	JOINT SONDE SANITAIRE (X10) (PDM5402830)	1.000
134	SX5212140	DIAPHRAGME GAZ D:7,5 (5212140)	1.000
135	SX9950760	SECURITE SURCHAUFFE 105° (9950760)	1.000
136	SX5663360	TUBE V3V/ECHANGEUR (5663360)	1.000
137	SX5211780	RACCORD SORTIE GAZ (5211780)	1.000
138	SX5402010	JOINT O-RING (x3) (PDM5402010)	1.000
139	SX5210630	RACCORD ENTREE GAZ ((5210630)	1.000
140	SX5662640	VANNE GAZ SIEMENS VDU(5662640)	1.000
140	SX5671930	VANNE GAZ SIT 848 SIGMA <40kw	1.000
147	SX5664340	TRAVERSE PLATINE HYDRAULIQUE (5664340)	1.000
151	SX5409590	COUVERCLE BOIT.ELECT.LUNA HTE (5409590)	1.000
152	SX5665270	PANNEAU CDE 1.24FF HTE (5665270)	1.000
153	SX5407660	COUVERCLE BRANCHE.ELECTRIQUE (5407660)	1.000
154	SX5680200	CIRCUIT IMPRIME LMU54	1.000
154	SX5680190	CIRCUIT IMPRIME (5680190)	1.000
154	SX5670360	CIRCUIT IMPRIME SIEMENS LMU5	1.000
154	SX5677340	CIRCUIT IMPRIME (5677340)	1.000
154	SX5666510	CIRCUIT IMPRIME SIEMENS LMU5	1.000
156	SX5669090	CIRCUIT IMPRI.DISPLAY LUNA HTE (5669090)	1.000
156	SX5663400	CIRCUIT IMPRI.DISPLAY LUNA HTE (5663400)	1.000
157	SX5664200	PORTE BOIT.ELEC.CHAPPEE FF HTE (5664200)	1.000
166	SX8421590	BORNIER DE RACCORDEMENT (PDM8421590)	1.000
167	SX5405340	PORTE-FUSIBLES (x3) (PDM5405340)	1.000
168	SX9950580	FUSIBLES 2A 250V (X10) (9950580)	1.000
169	SX5656220	MANOMETRE AVEC SUPPORT (5656220)	1.000
18	SX5664290	VENTURI D=18 (5664290)	1.000
191	SX5408970	JOINT G1/2" (5408970)	1.000
192	SX5404650	JOINT G3/4" 17x24x2 (X10) #	1.000
2	SX5113450	PANNEAU COTE GAUCHE (5113450)	1.000

Repère	Référence	Désignation	Quantité
2	SX5116220	PANNEAU COTE GAUCHE (5116220)	1.000
21	SX5402050	JOINT 6,1x11,5x1,5 (X3)	1.000
22	SX5662680	VENTILATEUR RG 128/1300	1.000
22	SX5686970	VENTILATEUR RG 128/1300	1.000
22	SX5691840	VENTILATEUR RG 128/1300	1.000
22	SX5682500	VENTILATEUR RG 128/1300	1.000
234	SX5659050	TUBE DISCONNECTEUR WATTS (5659050)	1.000
236	SX5658650	DISCONNECTEUR WATTS(jjj005658650)	1.000
242	SX8434830	SECURITE DE DEBORDEMENT 75° (8434830)	1.000
27	SX5113460	CHAMBRE ETANCHE LUNA HTE	1.000
27	SX5116310	CHAMBRE ETANCHE ZENIS HT	1.000
285	SX5409600	COUVERCLE BRANCH.ELECTRIQUE (5409600)	1.000
29	SX5410450	PANNEAU ISOL.ARRIERE (5410450)	1.000
3	SX5113440	PANNEAU COTE DROIT (5113440)	1.000
3	SX5116210	PANNEAU COTE DROIT (5116210)	1.000
30	SX5409100	PANNEAU ISOLANT (5409100)	1.000
314	SX8419980	CABLE D'IONISATION (8419980)	1.000
32	SX5663510	ECHANGEUR PRINCIP.5E (5663510)	1.000
33	SX5403130	O-RING 22X3 EPDM (x3) (5403130)	1.000
336	SX8380680	RESSORT FIX MOTEUR V3V	1.000
337	SX5647340	MOTEUR V3V ELBI	1.000
34	SX5113650	CLIPS ECHANGEUR PRINCIPAL	1.000
35	SX5662620	VASE D'EXPANSION 8L (5662620)	1.000
37	SX5664220	PANNEAU AVANT CHAMBRE ETANCHE	1.000
38	SX5401610	JOINT HUBLOT (x3) (5401610)	1.000
382	SX8419910	CABLE D'IONISATION (8419910)	1.000
382	SX8511130	CABLE ELECTRODE IONISATION	1.000
39	SX5203930	HUBLOT (5203930)	1.000
4	SX5111940	PANNEAU AVANT FI (5111940)	1.000
4	SX5116700	PANNEAU AVANT FI (5116700)	1.000
40	SX5103360	COUVERCLE HUBLOT (5103360)	1.000
408	SX5211790	BRIDE RACCORD ECHANGEUR (5211790)	1.000
409	SX5409090	JOINT ECHANGEUR HTE (5409090)	1.000
41	SX5663420	BRULEUR 5 BECS (5663420)	1.000
411	SX5409110	JOINT ELECTRODE IONI.(5409110)	1.000
415	SX5677920	BOITIER SIPHON HYDRAULIQUE (5677920)	1.000
415	SX5409060	BOITIER SIPHON HYDRAULIQUE (5409060)	1.000
417	SX615380	GROUP BOUCHON SIPHON HYD/JOINT	1.000
419	SX5409080	JOINT BRIDE/ECHANGEUR (5409070)	1.000
425	SX5409130	JOINT EXTRACTEUR (5409130)	1.000
425	SX5411420	JOINT EXTRACTEUR (5411420)	1.000
428	SX5409290	JOINT HUBLOT (X3) (5409290)	1.000
432	SX5410420	JOINT FUMEEES Ø60	1.000
434	SX5409030	COLLECTEUR FUMEEES HTE(5409030)	1.000
434	SX5682320	COLLECTEUR FUMEEES ZENIS HTE	1.000
435	SX5407550	JOINT FUMEEES Ø100 (5407550)	1.000
438	SX5409050	JOINT COLLECT/FUMEEES (5409050)	1.000
438	SX5410480	JOINT COLLECT/FUMEEES (5410480)	1.000

HPA435243090_1_2 - LUNA PRIME 1.24 HTE

Repère	Référence	Désignation	Quantité
443	SX5212090	RACCORD SECU.DEBORD. (5212090)	1.000
445	SX5409310	TUBE SIPHON HYDRAU. (5409310)	1.000
458	SX5409350	O-RING 2,62x58,42	1.000
459	SX5411610	EVACUATION CONDENSAT EPDM	1.000
46	SX5663340	TUBE GAZ (5663340)	1.000
49	SX5409280	BOUCHON RACCORD.VENTOUSE (5409280)	1.000
510	SX600760	ENS. OBTURATEUR SANIT.	1.000
511	SX5404600	O-RING 17,86X2,62 (X3)	1.000
518	SX5107180	CHEVILLE PANNEAU CDE (5107180)	1.000
525	SX616790	ALLUMEUR ANSTOS	1.000
525	SX8435220	ALLUMEUR ANSTOS ZAG 2V (8435220)	1.000
525	SX8434850	ALLUMEUR ANSTOS ZAG2V(8434850)	1.000
59	SX8510970	CABLE ELECTRODE D'ALLUMAGE (8510970)	1.000
59	SX8419900	CABLE ELECTRODE D'ALLUMAGE (8419900)	1.000
601	SX5408560	O-RING 8,73X1,78 (x3) (5408560)	1.000
63	SX8422830	ELECTRODE D'ALLUMAGE LUNA HTE (8422830)	1.000
631	SX5663310	TUBE DEGAZEUR (5663310)	1.000
647	SX5652730	DEGAZEUR G 3/8 (5652730)	1.000
65	SX8422840	ELECTRODE IONIS.LUNA HTE (8422840)	1.000
673	SX5409330	TUBE PVC 15X21 L:31 (5409330)	1.000
674	SX5409410	JOINT ECHANGEUR 5/6E (x4) (5409410)	1.000
675	SX8380780	RESSORT FIXAT.ECHANG.(8380780)	1.000
677	SX5212000	PROLONGE 5 ELEMENTS (5212000)	1.000
678	SX5665130	ENS.COUCVERCLE AIR/GAZ(5665130)	1.000
679	SX8510980	CABLE MASSE ELECTRODE ALLUMAGE (8510980)	1.000
679	SX8419920	CABLE MASSE ELECTRODE ALLUMAGE (8419920)	1.000
680	SX5409250	JOINT PASSE-TUBE D:15	1.000
681	SX5409120	JOINT ELECTRODE ALLU.(5409120)	1.000
682	SX5211800	HUBLLOT (5211800)	1.000
686	SX5663020	CLAPET ANTI-RETOUR (5663020)	1.000
70	SX5663350	TUBE POMPE/ECHANGEUR (5663350)	1.000
72	SX5659550	POMPE GRUNDFOS 15/60	1.000
73	SX0607290	DEGAZEUR (607290)	1.000
74	SX5406360	O-RING 14X1,78 (x3)	1.000
75	SX5409240	JOINT TUBE/CAISSON D:10 (5409240)	1.000
8	SX5409140	TUBE SILICONE PRESSOS.L=700 (5409140)	1.000
80	SX5655650	GROUPE RETOUR CHAUF. (5655650)	1.000
87	SX5210710	ELEMENT DE CONNECTION POMPE (5210710)	1.000
91	SX5652030	ROBINET DE VIDANGE (PDM5652030)	1.000
92	SX9951170	SOUPAPE DE SECURITE 3BARS (9951170)	1.000
98	SX5664850	TUBE BY-PASS (5664850)	1.000
99	SX5108130	CLIP TUBE DE BY-PASS (PDM5108130)	1.000
999	SX8419950	CABLE BARRETTE CONNEXION ELECTRIQUE (8419950)	1.000
999	SX8419990	CABLE CONNEX.CIRCUIT (8419990)	1.000
999	SX8511540	CABLE VANNE GAZ (8511540)	1.000
999	SX8510440	CABLE BALLON (8510440)	1.000
999	SX8510390	CABLE SONDE CTN CHAUFFAGE/POMPE (8510390)	1.000
999	SX8414620	CABLE M1 ALIM ELEC (8414620)	1.000

HPA435243090_1_2 - LUNA PRIME 1.24 HTE

Repère	Référence	Désignation	Quantité
999	SX8419970	CABLE VANNE 3 VOIES (8419970)	1.000
999	SX5663850	CABLE PREDISPOSITION THERMOSTATS (5663850)	1.000
999	SX8419940	CABLE CONTROLE EXTRACTEUR (8419940)	1.000
999	SX8419930	CABLE EXTRACTEUR/TH.FUMEE ALLUMAGE (8419930)	1.000
999	SX8510320	CABLE VANNE GAZ (8510320)	1.000