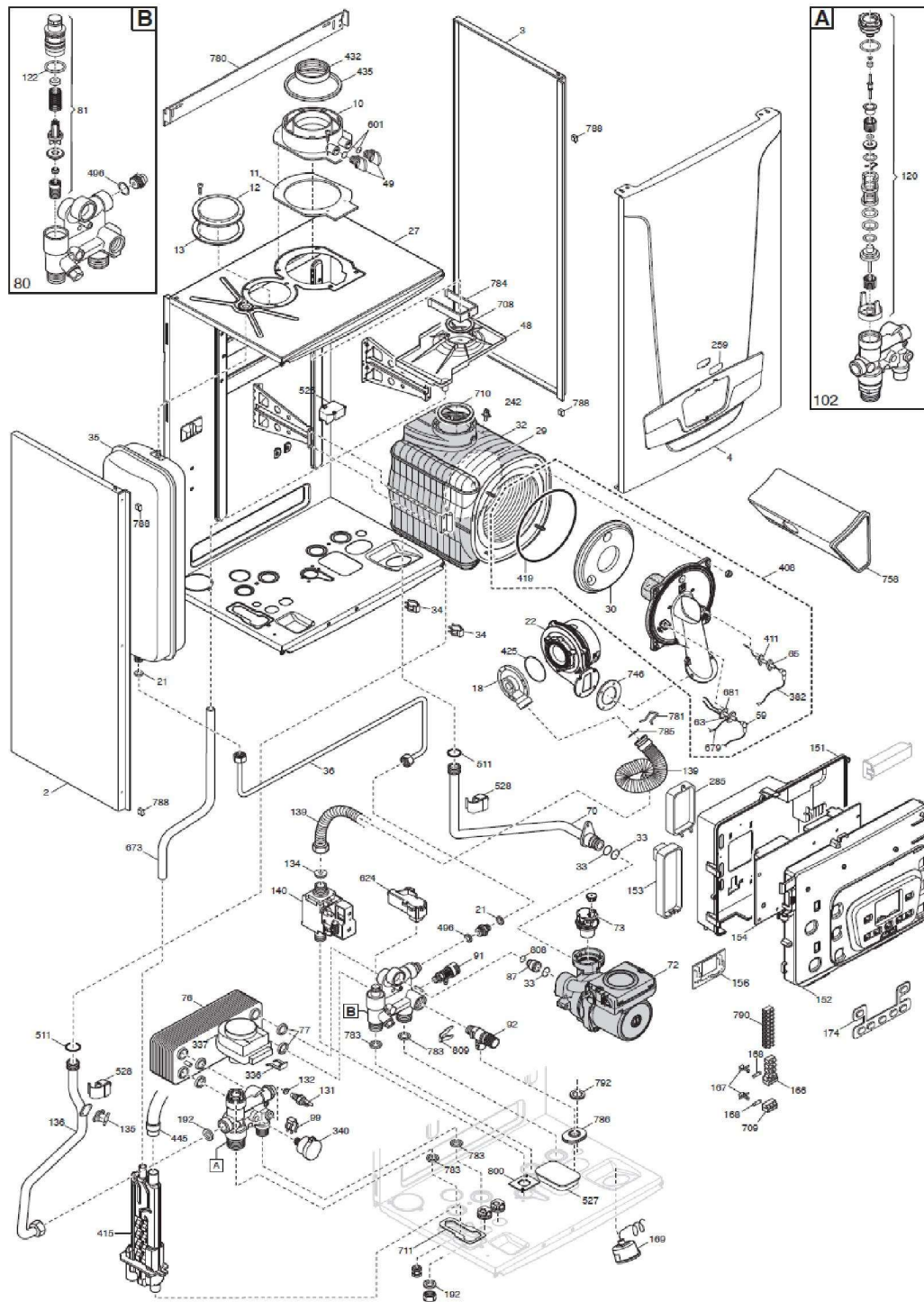


Tab 669



INITIA+ HTE 2.25

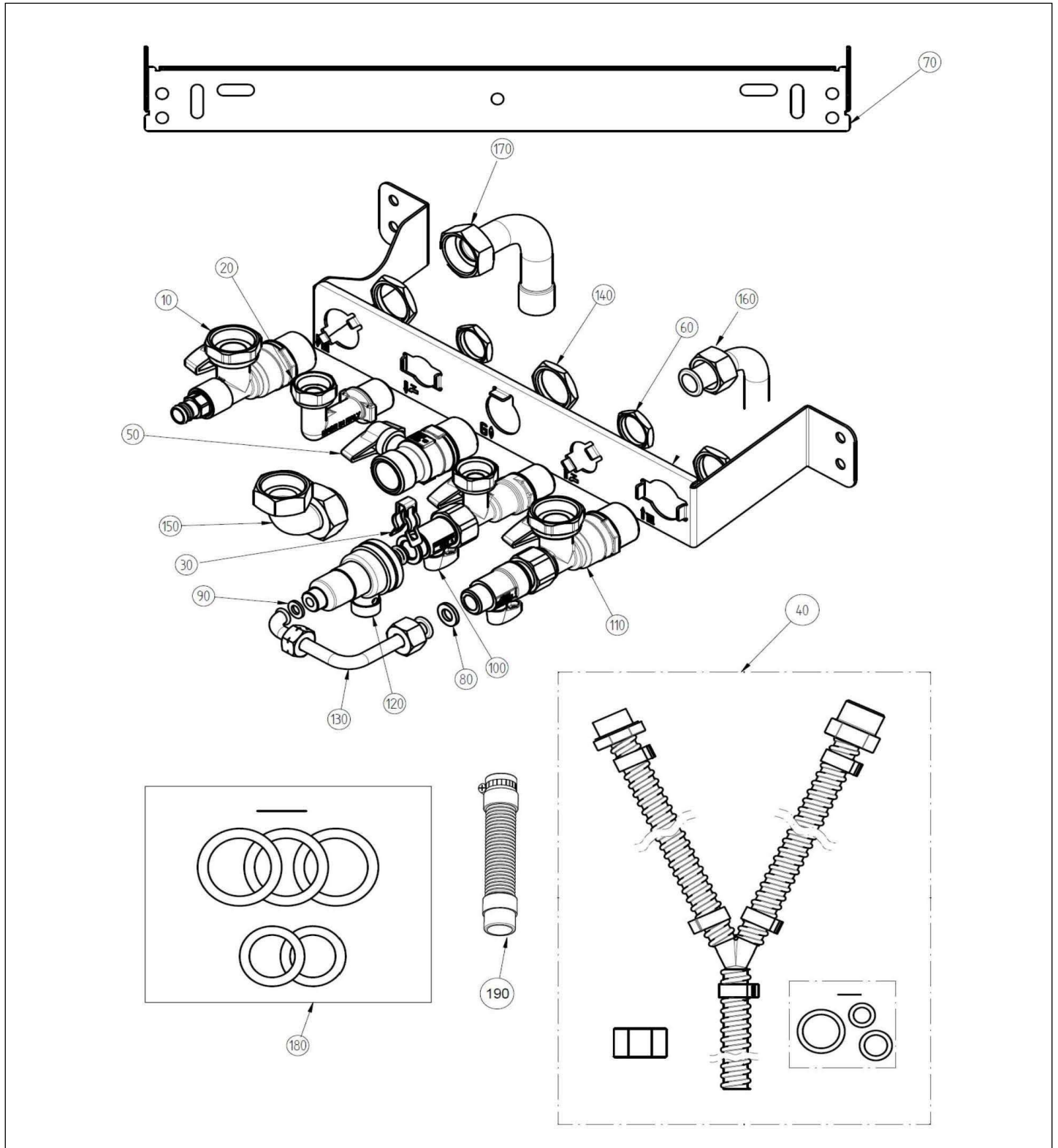
| Réf. | Référence | Description | Qté | Tarif | Substitut | Tarif Sub. | Remarques |
|------|-------------|---------------------------|-----|----------|--------------|------------|-----------|
| 2 | SX710066300 | PANNEAU GAUCHE INITIA F | 1 | | 710066300 | | |
| 3 | SX710066200 | PANNEAU DROIT INITIA PLL | 1 | | 710066200 | | |
| 4 | 7648475 | PANNEAU AVANT INITIA+ | 1 | 38,60 € | | | |
| 10 | SX5409020 | RACCORDEMENT VENTOU: | 1 | | JJJ005409020 | | |
| 11 | SX5409010 | JOINT VENTOUSE CAOUTC | 1 | | JJJ005409010 | | |
| 12 | SX5108690 | OBTURATEUR (510869) | 1 | | JJD005108690 | | |
| 13 | SX5407400 | JOINT OBTURATEUR DECO | 1 | | JJD005407400 | | |
| 18 | SX710078400 | VENTURI AGU3721 | 1 | | 710078400 | | |
| 21 | SX5402050 | JOINT 6,1x11,5x1,5 (X3) | 1 | | JJJ005402050 | 3,10 € | |
| 22 | 7680621 | EXTRACTEUR NRG118 | 1 | 183,00 € | | | |
| 27 | 7216211 | CHAMBRE ETANCHE | 1 | 33,80 € | | | |
| 29 | SX710283700 | PANNEAU ISOLANT ARRIF | 1 | | 710283700 | | |
| 30 | SX5411020 | PANNEAU ISOLANT (€ | 1 | | JJJ005411020 | | |
| 30 | 766208100 | PANNEAU ISOLANT 2 TROU | 1 | 30,80 € | | | |
| 32 | SX5671940 | ECHANGEUR PRINCIPAL 4E | 1 | | JJD005671940 | | |
| 33 | SX710963000 | O-RING 22X3 EPDM (x3) | 1 | | 710963000 | 5,19 € | |
| 34 | SX8380860 | CLIPS ECHANGEUR PRINCI | 1 | | JJJ008380860 | | |
| 35 | SX710022500 | VASE D'EXPANSION 8L | 1 | | 710022500 | | |
| 36 | SX710157400 | TUBE LIAISON VASE | 1 | | 710157400 | | |
| 48 | SX710282300 | GOUTIERE AIR NEUF | 1 | | 710282300 | | |
| 49 | SX5409280 | BOUCHON RACCORD.VENT | 1 | | JJJ005409280 | | |
| 59 | SX8513520 | CABLE ELECT.D'ALLUMAGE | 1 | | JJJ008513520 | | |
| 63 | SX710220000 | ELECTRODE ALLUMAGE H1 | 1 | | JJD710220000 | | |
| 65 | SX710220700 | ELECTRODE IONISATION H | 1 | | 710220700 | 21,60 € | |
| 70 | 7669298 | TUBE ECHANGEUR-POMP | 1 | | 766929800 | | |
| 72 | 7221855 | POMPE UMP 15-60 6M AVEC | 1 | | 7704776 | 231,00 € | |
| 73 | 7219215 | DEGAZEUR CALEFFI WI | 1 | 12,90 € | | | |
| 73 | SX710493600 | DEGAZEUR POMPE | 1 | | 710493600 | 30,20 € | |
| 76 | 711613000 | ECHANGEUR SANITAIRE 14 | 1 | 48,10 € | | | |
| 77 | 711613500 | JOINT ECHANGEUR SANIT/ | 1 | 5,00 € | | | |
| 80 | 711608400 | GR.ENT SANIT.8L/RET CHA | 1 | 74,00 € | | | |
| 81 | 711633400 | GROUP FILTRE LIMITEUR 8 | 1 | 33,20 € | | | |
| 83 | SX5666110 | LIMITEUR DEBIT SANIT.8L/M | 1 | | JJJ005666110 | | |
| 87 | 711652200 | ELEMENT DE CONNEX.DE F | 1 | 3,39 € | | | |
| 91 | SX5652030 | ROBINET DE VIDANGE | 1 | | JJD005652030 | 5,19 € | |
| 92 | SX710109400 | SOUPAPE SECURITE 3BAR | 1 | | JJD710109400 | | |
| 99 | SX8380850 | CLIP TUBE BY-PASS | 1 | | JJD008380850 | | |
| 102 | 711606100 | ENSEMBLE VANNE 3 VOIES | 1 | | 7726372 | 65,40 € | |
| 120 | 711356900 | BOUCHON AVANT+PISTON | 1 | | 7726370 | 71,60 € | |
| 122 | SX5405370 | O-RING "FILTRE SANITAIRE | 1 | | JJJ005405370 | 9,50 € | |
| 131 | SX8435400 | SONDE CTN (843540) | 1 | | JJD008435400 | 34,40 € | |
| 132 | SX5402830 | JOINT SONDE SANITAIRE (2) | 1 | | JJJ005402830 | 3,50 € | |
| 134 | SX710011500 | DIAPHRAGME GAZ D5,6 | 1 | | 710011500 | | |
| 135 | SX9950760 | SECURITE SURCHAUFFE 11 | 1 | | JJJ009950760 | | |
| 136 | SX710157700 | TUBE DEPART CHAUFFAGE | 1 | | 710157700 | | |
| 139 | 7667942 | TUBE GAZ FLEXIBLE | 1 | 27,00 € | | | |
| 140 | SX710023400 | VANNE GAZ VGU86S | 1 | | 710023400 | | |
| 151 | SX710018500 | COUVERCLE BOITIER ELEC | 1 | | 710018500 | 6,55 € | |
| 152 | SX710036800 | PANNEAU AV.TABLEAU DE | 1 | | 710036800 | | |

INITIA+ HTE 2.25

| | | | | | |
|-----|-------------|-----------------------------|---|--------------|---------|
| 153 | SX710018200 | CAPOT BORNIER DE RACC | 1 | 710018200 | 1,25 € |
| 154 | 7222145 | CIRCUIT LMS 14 MIXTE ERF | 1 | 7766808 | |
| 156 | 7222166 | CIRCUIT IMPRIME AVS77 EI | 1 | 51,80 € | |
| 166 | SX8421590 | BORNIER DE RACCORDEMI | 1 | JJD008421590 | 13,40 € |
| 167 | SX5405340 | PORTE-FUSIBLES (x3) (PDI | 1 | JJJ005405340 | 1,25 € |
| 168 | SX9950580 | FUSIBLES 2A 250V (X10) (| 1 | JJJ009950580 | 1,25 € |
| 169 | SX710554900 | MANOMETRE | 1 | 710554900 | |
| 174 | SX710100400 | CLAVIER DIPLAY 7 TOUCHE | 1 | 710100400 | |
| 192 | SX5404650 | JOINT G3/4" 17x24x2 (X10) ; | 1 | JJJ005404650 | 4,00 € |
| 242 | SX8435270 | SONDE CTN FUMEE | 1 | JJD008435270 | |
| 259 | SX710828100 | LOGO CHAPPEE | 1 | 710828100 | 1,25 € |
| 285 | SX710083600 | CAPOT CLIP-IN | 1 | 710083600 | 1,25 € |
| 314 | SX710071600 | CABLE RALLONGE IONISAT | 1 | 710071600 | |
| 336 | SX8380680 | RESSORT FIX MOTEUR V3\ | 1 | JJD008380680 | 1,25 € |
| 337 | SX5694580 | MOTEUR V3V ELBI | 1 | JJD005694580 | 29,80 € |
| 340 | SX710109100 | CAPTEUR DE PRESSION | 1 | JJD710109100 | |
| 382 | SX8511130 | CABLE ELECTRODE IONISA | 1 | JJJ008511130 | |
| 408 | 7677774 | BRIDE DE RACCORD ECHA | 1 | 122,00 € | |
| 411 | SX710185200 | JOINT ELECTRODE IONISA | 1 | 7101852 | 1,86 € |
| 415 | 7658690 | SIPHON HYDRAULIQUE H2 | 1 | 32,10 € | |
| 419 | SX5411000 | JOINT BRIDE/ECHANGEUR | 1 | JJD005411000 | |
| 428 | SX5409290 | JOINT HUBLLOT (X3) (5409 | 1 | 7780612 | |
| 432 | SX5410420 | JOINT FUMEEES Å~60 | 1 | JJD005410420 | |
| 435 | SX5407550 | JOINT FUMEEES Å~100 (540 | 1 | JJJ005407550 | |
| 445 | 7217271 | TUBE ECHANGEUR/SIPHON | 1 | 6,77 € | |
| 496 | SX0400020 | O-RING 2062 (x3) (400020) | 1 | JJJ000400020 | |
| 511 | SX5404600 | O-RING 17,86X2,62 (X3) | 1 | JJJ005404600 | 2,70 € |
| 525 | SX8435260 | ALLUMEUR ANSTOS ZAG 2 | 1 | JJJ008435260 | |
| 527 | 7215830 | BOUCHON | 1 | 2,47 € | |
| 528 | SX710439300 | SONDE CTN TODS | 1 | JJD710439300 | |
| 601 | SX5408560 | O-RING 8,73X1,78 (x3) (540 | 1 | JJJ005408560 | 4,16 € |
| 624 | SX8435380 | CAPTEUR DE DEBIT | 1 | JJD008435380 | 34,00 € |
| 673 | 7220855 | TUBE RACCORD CONDENS | 1 | 8,53 € | |
| 679 | SX8511150 | CABLE MASSE ELECTR.D'A | 1 | JJJ008511150 | |
| 681 | SX710185300 | JOINT ELECTRODE D'ALLUI | 1 | JJD710185300 | 1,48 € |
| 708 | SX5410970 | JOINT D:60 (5410970) | 1 | JJD005410970 | |
| 709 | SX8423160 | DOMINOS PORTE FUSIBLE(| 1 | JJJ008423160 | |
| 710 | SX5411030 | JOINT D:80 (5411030) | 1 | JJJ005411030 | |
| 711 | 7216964 | JOINT SIPHON 721696400 | 1 | 1,48 € | |
| 746 | SX5410900 | JOINT VENTILATEUR (5410 | 1 | JJJ005410900 | |
| 758 | SX710051700 | BOITE A AIR | 1 | 710051700 | 14,50 € |
| 780 | SX710014800 | TRAVERSE FIXATION SUPE | 1 | 710014800 | |
| 781 | SX710011400 | CLIP FIXATION FLEXIBLE G. | 1 | JJD710011400 | 1,25 € |
| 784 | SX710123900 | SUPPORT REDUCTION AIR | 1 | 710123900 | |
| 785 | SX710061400 | O-RING 18x3 EPDM | 1 | JJD710061400 | 1,25 € |
| 786 | SX710387100 | JOINT EPDM SOUP./CAISSC | 1 | 710387100 | 1,25 € |
| 788 | SX710176000 | JOINT CHAMBRE DE COMB | 1 | 710176000 | |
| 790 | SX710117900 | BORNIER M2 | 1 | 2,74 € | |
| 792 | SX710189600 | BOUCHON EPDM NOIR | 1 | 710189600 | |
| 800 | 7215821 | JOINT VANNE GAZ | 1 | 1,25 € | |

INITIA+ HTE 2.25

| | | | | | |
|-----|-------------|-------------------------|-------|--------------|--------|
| 808 | 721311400 | JOINT TORIQUE 18X2 10PC | 1 | 4,90 € | |
| 809 | 7116150 | RESSORT | 1 | 1,25 € | |
| 999 | SX8414540 | CABLE M1/TA | (84 1 | JJD008414540 | 1,25 € |
| 999 | SX8414620 | CABLE M1 ALIM ELEC | 1 | JJD008414620 | 4,26 € |
| 999 | SX710038600 | CABLE X41/AFFICHEUR | 1 | 710038600 | 4,81 € |
| 999 | SX710057600 | CABLE X10/BORNIER M1 | 1 | 710057600 | 3,28 € |
| 999 | SX710062100 | CABLE X14/VG-ALLUMEUR | 1 | 710062100 | |
| 999 | SX710062700 | CABLE X21/M2-SONDE BAL | 1 | 710062700 | |
| 999 | SX710062800 | CABLE X42/M2-SONDE QAA | 1 | 710062800 | 3,72 € |
| 999 | SX710066500 | CABLE X12/M1-TA | 1 | 710066500 | 1,98 € |
| 999 | SX710071700 | CABLE RALLONGE CTN FUI | 1 | 710071700 | |
| 999 | SX710079700 | CABLE X20/M2 SONDAS AU | 1 | 710079700 | 1,86 € |
| 999 | SX710103100 | CABLE MASSE | 1 | 710103100 | 1,25 € |
| 999 | SX710514400 | CABLE X22/CTN | 1 | 710514400 | |
| 999 | 711193200 | CABLE V3V | 1 | 6,99 € | |
| 999 | 7218355 | CABLAGE PWM EXTRACT./I | 1 | 11,00 € | |
| 999 | 7669306 | CABL. EXTRAC./POMPE WI. | 1 | 22,90 € | |
| 999 | 7669308 | CABL. EXTRAC./POMPE GR | 1 | 15,30 € | |
| 999 | 7656919 | BOUCHON DE SIPHON (JAL | 1 | 3,82 € | |
| 999 | 7101684 | RACCORD CAPTEUR DE PF | 1 | 2,62 € | |





INITIA + HTE (2015 -> ...)

INITIA+ HTE 2.25

| Réf. | Référence | Description | Qté | Tarif | Substitut | Tarif Sub. | Remarques |
|------|-------------|---------------------------|-----|---------|--------------|------------|-----------|
| 0 | 7840000 | TUBE GAZ LUNA4 450 -FR-N | 1 | 23,50 € | | | |
| 10 | SX710788700 | ROBINET DEPART CHAUFF. | 1 | | 710788700 | | |
| 20 | SX710788800 | COUDE DEPART ECS | 1 | | 710788800 | | |
| 30 | SX5112530 | RESSORT FIXATION DISCO | 1 | | JJD005112530 | 1,25 € | |
| 40 | SX710467500 | COLLECTEUR DE VIDANGE | 1 | | 7647520 | | |
| 50 | SX710788900 | ROBINET DE GAZ | 1 | | 7780763 | | |
| 60 | SX5209540 | ECROU G1/2 | 1 | | JJJ005209540 | | |
| 70 | SX710014800 | TRAVERSE FIXATION SUPE | 1 | | 710014800 | | |
| 80 | SX5404970 | JOINT 3/8" (x10) (PDM5404 | 1 | | JJJ005404970 | | |
| 90 | SX5402050 | JOINT 6,1x11,5x1,5 (X3) | 1 | | JJJ005402050 | 3,10 € | |
| 100 | SX710826000 | ROBINET EF | 1 | | 710826000 | | |
| 110 | SX710826100 | ROBINET RET.CHAUFFAGE | 1 | | 710826100 | | |
| 120 | SX710796100 | DISCONNECTEUR | 1 | | 710796100 | | |
| 130 | SX710808200 | TUBE DISCONNECTEUR | 1 | | 710808200 | | |
| 140 | SX9950320 | CONTRE ECROU G 3/4 (€ | 1 | | JJJ009950320 | | |
| 150 | SX710829900 | TUBE GAZ | 1 | | 710829900 | | |
| 160 | SX710777000 | DOUILLE COUDE EF/ECS | 1 | | 710777000 | | |
| 170 | SX5657630 | TUBE D:18 (5657630) | 1 | | JJJ005657630 | | |
| 180 | SX5632850 | POCHETTE DE JOINT | 1 | | JJJ005632850 | | |
| 190 | SX0617430 | TUBE SORTIE SIPHON | 1 | | JJJ000617430 | | |