



INITIA + HTE (2015 -> ...)
INITIA+ HTE 2.40 (7223632)



Réf.	Référence	Description	Qté	Tarif	Substitut	Tarif Sub.	Remarques
0	SX8414540	CABLE M1/TA	(84 1		JJD008414540	1,25 €	[To Translat =]
0	SX8414620	CABLE M1 ALIM ELEC	1		JJD008414620	4,26 €	[To Translat =]
0	SX710038600	CABLE X41/AFFICHEUR	1		710038600	4,81 €	[To Translat =]
0	SX710057600	CABLE X10/BORNIER M1	1		710057600	3,28 €	[To Translat =]
0	SX710062100	CABLE X14/VG-ALLUMEUR	1		710062100		[To Translat =]
0	SX710062700	CABLE X21/M2-SONDE BAL	1		710062700		[To Translat =]
0	SX710062800	CABLE X42/M2-SONDE QAA	1		710062800	3,72 €	[To Translat =]
0	SX710066500	CABLE X12/M1-TA	1		710066500	1,98 €	[To Translat =]
0	SX710071700	CABLE RALLONGE CTN FUI	1		710071700		[To Translat =]
0	SX710079700	CABLE X20/M2 SONDAS AU	1		710079700	1,86 €	[To Translat =]
0	SX710103100	CABLE MASSE	1		710103100	1,25 €	[To Translat =]
0	SX710514400	CABLE X22/CTN	1		710514400		[To Translat =]
0	711161900	CABLE VENT/POMPE	1	9,18 €			[To Translat =]
0	711193200	CABLE V3V	1	6,99 €			[To Translat =]
0	7218355	CABLAGE PWM EXTRACT./I	1	11,00 €			[To Translat =]
0	7219253	CABL.EXTRACT./POMPE GF	1	12,00 €			[To Translat =]
0	7101684	RACCORD CAPTEUR DE PF	1	2,62 €			
2	SX710066300	PANNEAU GAUCHE INITIA F	1		710066300		
3	SX710066200	PANNEAU DROIT INITIA PLL	1		710066200		
4	SX710831800	PANNEAU AVANT INITIA PL	1		7648475	38,60 €	[To Translat =]
10	SX5409020	RACCORDEMENT VENTOU:	1		JJJ005409020		
11	SX5409010	JOINT VENTOUSE CAOUTC	1		JJJ005409010		
12	SX5108690	OBTURATEUR (510869)	1		JJD005108690		
13	SX5407400	JOINT OBTURATEUR DECO	1		JJD005407400		
18	SX710069000	VENTURI AGU3728	1		710069000		
21	SX5402050	JOINT 6,1x11,5x1,5 (X3)	1		JJJ005402050	3,10 €	[To Translat =]
22	7112718	VENTILATEUR NRG 118/91V	1		7683417	150,00 €	
27	7216211	CHAMBRE ETANCHE	1	33,80 €			
29	SX710283700	PANNEAU ISOLANT ARRIEF	1		710283700		[To Translat =]
30	SX5411020	PANNEAU ISOLANT (€	1		JJJ005411020		
32	SX5671960	ECHANGEUR PRINCIPAL 6E	1		JJJ005671960		
33	SX710963000	O-RING 22X3 EPDM (x3)	1		710963000	5,19 €	[To Translat =]
34	SX8380860	CLIPS ECHANGEUR PRINCI	1		JJJ008380860		
35	SX710022400	VASE D'EXPANSION 10L	1		710022400		
36	SX710157400	TUBE LIAISON VASE	1		710157400		
41	7115466	BRULEUR 6E	1	29,40 €			
48	SX710282300	GOUTIERE AIR NEUF	1		710282300		
49	SX5409280	BOUCHON RACCORD.VENT	1		JJJ005409280		
59	SX8513520	CABLE ELECT.D'ALLUMAGE	1		JJJ008513520		
63	SX710220000	ELECTRODE ALLUMAGE HT	1		JJD710220000		

65	SX710220700	ELECTRODE IONISATION H	1	710220700	21,60 €	
70	SX710156800	TUBE POMPE/ECHANGEUR	1	710156800		
72	7221855	POMPE UMP 15-60 6M AVEC	1	7704776	231,00 €	
73	7219215	DEGAZEUR CALEFFI WI	1	12,90 €		
76	711613200	ECHANGEUR SANIT 20 PLA	1	68,70 €		
77	711613500	JOINT ECHANGEUR SANIT/	1	5,00 €		[To Translat =]
81	7116336	GROUPE FILTRE LIMITEUR	1	32,50 €		
87	711652200	ELEMENT DE CONNEX.DE F	1	3,39 €		[To Translat =]
91	SX5652030	ROBINET DE VIDANGE	1	JJD005652030	5,19 €	[To Translat =]
92	SX710109400	SOUPAPE SECURITE 3BAR	1	JJD710109400		
99	SX8380850	CLIP TUBE BY-PASS	1	JJD008380850		
102	SX711606100	ENSEMBLE VANNE 3 VOIES	1	7726372	65,40 €	
120	SX711356900	BOUCHON AVANT+PISTON	1	7726370	71,60 €	
122	SX5405370	O-RING "FILTRER SANITAIRE	1	JJJ005405370	9,50 €	
131	SX8435400	SONDE CTN (8435400	1	JJD008435400	34,40 €	
132	SX5402830	JOINT SONDE SANITAIRE (2	1	JJJ005402830	3,50 €	[To Translat =]
134	SX710090900	DIAPHRAGME GAZ D7	1	710090900		
135	SX9950760	SECURITE SURCHAUFFE 10	1	JJJ009950760		
136	7101567	TUBE DEPART 6E	1	Nous consulter...		
139	7100707	FLEXIBLE GAZ 6E	1	Nous consulter...		
140	SX710023400	VANNE GAZ VGU86S	1	710023400		
151	SX710018500	COUVERCLE BOITIER ELEC	1	710018500	6,55 €	
152	SX710036800	PANNEAU AV.TABLEAU DE	1	710036800		
153	SX710018200	CAPOT BORNIER DE RACC	1	710018200	1,25 €	
154	7222145	CIRCUIT LMS 14 MIXTE ERF	1	7766808		
156	7222166	CIRCUIT IMPRIME AVS77 EI	1	51,80 €		
166	SX8421590	BORNIER DE RACCORDEME	1	JJD008421590	13,40 €	
167	SX5405340	PORTE-FUSIBLES (x3) (PD	1	JJJ005405340	1,25 €	
168	SX9950580	FUSIBLES 2A 250V (X10) (1	JJJ009950580	1,25 €	
169	SX710554900	MANOMETRE	1	710554900		
174	SX710100400	CLAVIER DIPLAY 7 TOUCHE	1	710100400		
192	SX5404650	JOINT G3/4" 17x24x2 (X10)	1	JJJ005404650	4,00 €	[To Translat =]
242	SX8435270	SONDE CTN FUMEE	1	JJD008435270		
259	SX710828100	LOGO CHAPPEE	1	710828100	1,25 €	
285	SX710083600	CAPOT CLIP-IN	1	710083600	1,25 €	
314	SX710071600	CABLE RALLONGE IONISAT	1	710071600		
336	SX8380680	RESSORT FIX MOTEUR V3\	1	JJD008380680	1,25 €	[To Translat =]
337	SX5694580	MOTEUR V3V ELBI	1	JJD005694580	29,80 €	[To Translat =]
340	SX710109100	CAPTEUR DE PRESSION	1	JJD710109100		[To Translat =]
382	SX8511130	CABLE ELECTRODE IONISA	1	JJJ008511130		[To Translat =]
408	SX711571000	BRIDE CHAMBRE DE COMB	1	Nous consulter...		
409	7215431	ENS.JOINT BRULEUR	1	4,16 €		
411	SX710185200	JOINT ELECTRODE IONISA	1	7101852	1,86 €	
415	7217442	SIPHON HYDRAULIQUE H22	1	7658064		
417	7222690	BOUCHON DE SYPHON	1	7656919	3,82 €	[To Translat =]
417	7656919	BOUCHON DE SIPHON (JAL	1	3,82 €		



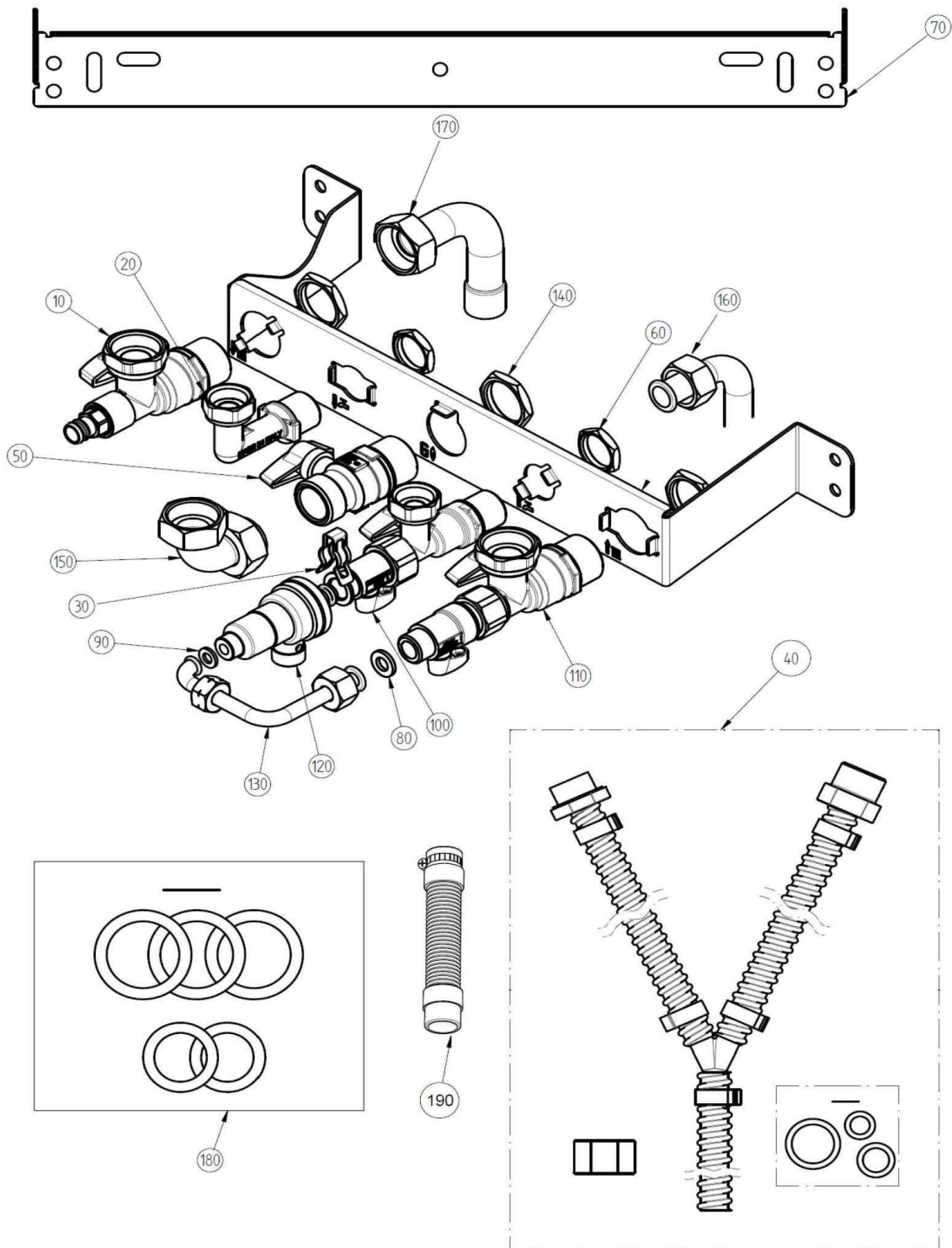
INITIA + HTE (2015 -> ...)
INITIA+ HTE 2.40 (7223632)

419	SX5411000	JOINT BRIDE/ECHANGEUR	1	JJD005411000			[To Translat =]
425	SX710042400	JOINT DE VENTURI	1	710042400			
428	SX5409290	JOINT HUBLOT (X3) (5409:	1	7780612			
432	SX5410420	JOINT FUMEEES Ã~60	1	JJD005410420			
435	SX5407550	JOINT FUMEEES Ã~100 (540	1	JJJ005407550			[To Translat =]
445	7217271	TUBE ECHANGEUR/SIPHON	1		6,77 €		
496	SX400020	O-RING 2062 X3 400020	1	JJJ000400020			
511	SX5404600	O-RING 17,86X2,62 (X3)	1	JJJ005404600		2,70 €	
525	SX8435260	ALLUMEUR ANSTOS ZAG 2:	1	JJJ008435260			[To Translat =]
528	SX710439300	SONDE CTN TODS	1	JJD710439300			[To Translat =]
601	SX5408560	O-RING 8,73X1,78 (x3) (540	1	JJJ005408560		4,16 €	
624	SX8435380	CAPTEUR DE DEBIT	1	JJD008435380		34,00 €	
673	7220855	TUBE RACCORD CONDENS	1		8,53 €		
678	SX710051400	AIR-GAS CONVEYOR SS.LU	1	710051400			
679	SX8511150	CABLE MASSE ELECTR.D'A	1	JJJ008511150			
681	SX710185300	JOINT ELECTRODE D'ALLUI	1	JJD710185300		1,48 €	
682	SX5211800	HUBLOT (5211800)	1	JJJ005211800			
708	SX5410970	JOINT D:60 (5410970)	1	JJD005410970			[To Translat =]
709	SX8423160	DOMINOS PORTE FUSIBLE(1	JJJ008423160			
710	SX5411030	JOINT D:80 (5411030)	1	JJJ005411030			
711	7216964	JOINT SIPHON 721696400	1		1,48 €		[To Translat =]
746	SX5410900	JOINT VENTILATEUR (54100	1	JJJ005410900			
758	SX710088400	SILENCIEUX BOITE A AIR	1	710088400		14,50 €	[To Translat =]
780	SX710014800	TRAVERSE FIXATION SUPE	1	710014800			
781	SX710011400	CLIP FIXATION FLEXIBLE G.	1	JJD710011400		1,25 €	
784	SX710123900	SUPPORT REDUCTION AIR	1	710123900			[To Translat =]
785	SX710061400	O-RING 18x3 EPDM	1	JJD710061400		1,25 €	
786	SX710387100	JOINT EPDM SOUP./CAISSC	1	710387100		1,25 €	
788	SX710176000	JOINT CHAMBRE DE COMB	1	710176000			
790	SX710117900	BORNIER M2	1		2,74 €		
791	7216953	JOINT BOUCHON SIPHON	1	7657453			[To Translat =]
792	SX710189600	BOUCHON EPDM NOIR	1	710189600			
800	7215821	JOINT VANNE GAZ	1		1,25 €		
808	SX721311400	JOINT 18X2	1		Nous consulter...		
809	7116150	RESSORT	1		1,25 €		

Réf.	Référence	Description	Qté	Tarif	Substitut	Tarif Sub.	Remarques
2	SX710066300	PANNEAU GAUCHE INITIA F	1		710066300		
3	SX710066200	PANNEAU DROIT INITIA PLL	1		710066200		
4	7648475	PANNEAU AVANT INITIA+	1	38,60 €			
10	SX5409020	RACCORDEMENT VENTOU:	1		JJJ005409020		
11	SX5409010	JOINT VENTOUSE CAOUTC	1		JJJ005409010		
12	SX5108690	OBTURATEUR (510869)	1		JJD005108690		
13	SX5407400	JOINT OBTURATEUR DECO	1		JJD005407400		
18	SX710069000	VENTURI AGU3728	1		710069000		
21	SX5402050	JOINT 6,1x11,5x1,5 (X3)	1		JJJ005402050	3,10 €	
22	7683417	EXTRACTEUR NRG118 91W	1	150,00 €			
27	7216211	CHAMBRE ETANCHE	1	33,80 €			
29	SX710283700	PANNEAU ISOLANT ARRIEF	1		710283700		
30	SX5411020	PANNEAU ISOLANT (€	1		JJJ005411020		
32	SX5671960	ECHANGEUR PRINCIPAL 6E	1		JJJ005671960		
33	SX710963000	O-RING 22X3 EPDM (x3)	1		710963000	5,19 €	
34	SX8380860	CLIPS ECHANGEUR PRINCI	1		JJJ008380860		
35	SX710022400	VASE D'EXPANSION 10L	1		710022400		
36	SX710157400	TUBE LIAISON VASE	1		710157400		
48	SX710282300	GOUTIERE AIR NEUF	1		710282300		
49	SX5409280	BOUCHON RACCORD.VENT	1		JJJ005409280		
59	SX8513520	CABLE ELECT.D'ALLUMAGE	1		JJJ008513520		
63	SX710220000	ELECTRODE ALLUMAGE H1	1		JJD710220000		
65	SX710220700	ELECTRODE IONISATION H	1		710220700	21,60 €	
70	7669298	TUBE EXCHANGEUR-POMP	1		766929800		
72	7221855	POMPE UMP 15-60 6M AVEC	1		7704776	231,00 €	
73	7219215	DEGAZEUR CALEFFI WI	1	12,90 €			
73	SX710493600	DEGAZEUR POMPE	1		710493600	30,20 €	
76	711613200	ECHANGEUR SANIT 20 PLA	1	68,70 €			
77	711613500	JOINT ECHANGEUR SANIT/	1	5,00 €			
80	7223756	GROUPE HYDRAULIQUE DF	1	Nous consulter...			
81	7116336	GROUPE FILTRE LIMITEUR	1	32,50 €			
87	711652200	ELEMENT DE CONNEX.DE F	1	3,39 €			
91	SX5652030	ROBINET DE VIDANGE	1		JJD005652030	5,19 €	
92	SX710109400	SOUPAPE SECURITE 3BAR	1		JJD710109400		
99	SX8380850	CLIP TUBE BY-PASS	1		JJD008380850		
102	711606100	ENSEMBLE VANNE 3 VOIES	1		7726372	65,40 €	
120	711356900	BOUCHON AVANT+PISTON	1		7726370	71,60 €	
122	SX5405370	O-RING "FILTRE SANITAIRE	1		JJJ005405370	9,50 €	
131	SX8435400	SONDE CTN (843540)	1		JJD008435400	34,40 €	
132	SX5402830	JOINT SONDE SANITAIRE (2	1		JJJ005402830	3,50 €	
134	SX710090900	DIAPHRAGME GAZ D7	1		710090900		
135	SX9950760	SECURITE SURCHAUFFE 11	1		JJJ009950760		
136	7101567	TUBE DEPART 6E	1	Nous consulter...			
139	7667942	TUBE GAZ FLEXIBLE	1	27,00 €			
140	SX710023400	VANNE GAZ VGU86S	1		710023400		
151	SX710018500	COUVERCLE BOITIER ELEC	1		710018500	6,55 €	
152	SX710036800	PANNEAU AV.TABLEAU DE	1		710036800		
153	SX710018200	CAPOT BORNIER DE RACC	1		710018200	1,25 €	
154	7222145	CIRCUIT LMS 14 MIXTE ERF	1		7766808		

156	7222166	CIRCUIT IMPRIME AVS77 EI	1	51,80 €	
166	SX8421590	BORNIER DE RACCORDEMI	1		JJD008421590 13,40 €
167	SX5405340	PORTE-FUSIBLES (x3) (PDI	1		JJJ005405340 1,25 €
168	SX9950580	FUSIBLES 2A 250V (X10) (1		JJJ009950580 1,25 €
169	SX710554900	MANOMETRE	1		710554900
174	SX710100400	CLAVIER DIPLAY 7 TOUCHE	1		710100400
192	SX5404650	JOINT G3/4" 17x24x2 (X10) :	1		JJJ005404650 4,00 €
242	SX8435270	SONDE CTN FUMEE	1		JJD008435270
259	SX710828100	LOGO CHAPPEE	1		710828100 1,25 €
285	SX710083600	CAPOT CLIP-IN	1		710083600 1,25 €
314	SX710071600	CABLE RALLONGE IONISAT	1		710071600
336	SX8380680	RESSORT FIX MOTEUR V3\	1		JJD008380680 1,25 €
337	SX5694580	MOTEUR V3V ELBI	1		JJD005694580 29,80 €
340	SX710109100	CAPTEUR DE PRESSION	1		JJD710109100
382	SX8511130	CABLE ELECTRODE IONISA	1		JJJ008511130
408	7677776	PORTE FOYERE + BRULEUI	1	148,00 €	
411	SX710185200	JOINT ELECTRODE IONISA	1		7101852 1,86 €
415	7658690	SIPHON HYDRAULIQUE H2	1	32,10 €	
419	SX5411000	JOINT BRIDE/ECHANGEUR	1		JJD005411000
428	SX5409290	JOINT HUBLOT (X3) (5409:	1		7780612
432	SX5410420	JOINT FUMEEES A~60	1		JJD005410420
435	SX5407550	JOINT FUMEEES A~100 (540	1		JJJ005407550
445	7217271	TUBE ECHANGEUR/SIPHON	1	6,77 €	
496	SX0400020	O-RING 2062 (x3) (400020)	1		JJJ000400020
511	SX5404600	O-RING 17,86X2,62 (X3)	1		JJJ005404600 2,70 €
525	SX8435260	ALLUMEUR ANSTOS ZAG 2:	1		JJJ008435260
527	7215830	BOUCHON	1	2,47 €	
528	SX710439300	SONDE CTN TODS	1		JJD710439300
601	SX5408560	O-RING 8,73X1,78 (x3) (54	1		JJJ005408560 4,16 €
624	SX8435380	CAPTEUR DE DEBIT	1		JJD008435380 34,00 €
673	7220855	TUBE RACCORD CONDENS	1	8,53 €	
679	SX8511150	CABLE MASSE ELECTR.D'A	1		JJJ008511150
681	SX710185300	JOINT ELECTRODE D'ALLUI	1		JJD710185300 1,48 €
682	SX5211800	HUBLOT (5211800)	1		JJJ005211800
708	SX5410970	JOINT D:60 (5410970)	1		JJD005410970
709	SX8423160	DOMINOS PORTE FUSIBLE(1		JJJ008423160
710	SX5411030	JOINT D:80 (5411030)	1		JJJ005411030
711	7216964	JOINT SIPHON 721696400	1	1,48 €	
746	SX5410900	JOINT VENTILATEUR (5410	1		JJJ005410900
758	SX710088400	SILENCIEUX BOITE A AIR	1		710088400 14,50 €
780	SX710014800	TRAVERSE FIXATION SUPE	1		710014800
781	SX710011400	CLIP FIXATION FLEXIBLE G.	1		JJD710011400 1,25 €
784	SX710123900	SUPPORT REDUCTION AIR	1		710123900
785	SX710061400	O-RING 18x3 EPDM	1		JJD710061400 1,25 €
786	SX710387100	JOINT EPDM SOUP./CAISSC	1		710387100 1,25 €
788	SX710176000	JOINT CHAMBRE DE COMB	1		710176000
790	SX710117900	BORNIER M2	1	2,74 €	
792	SX710189600	BOUCHON EPDM NOIR	1		710189600
800	7215821	JOINT VANNE GAZ	1	1,25 €	
808	721311400	JOINT TORIQUE 18X2 10PC	1	4,90 €	

809	7116150	RESSORT	1	1,25 €		
999	SX8414540	CABLE M1/TA	(84 1		JJD008414540	1,25 €
999	SX8414620	CABLE M1 ALIM ELEC	1		JJD008414620	4,26 €
999	SX710038600	CABLE X41/AFFICHEUR	1		710038600	4,81 €
999	SX710057600	CABLE X10/BORNIER M1	1		710057600	3,28 €
999	SX710062100	CABLE X14/VG-ALLUMEUR	1		710062100	
999	SX710062700	CABLE X21/M2-SONDE BAL	1		710062700	
999	SX710062800	CABLE X42/M2-SONDE QAA	1		710062800	3,72 €
999	SX710066500	CABLE X12/M1-TA	1		710066500	1,98 €
999	SX710071700	CABLE RALLONGE CTN FUI	1		710071700	
999	SX710079700	CABLE X20/M2 SONDAS AU	1		710079700	1,86 €
999	SX710103100	CABLE MASSE	1		710103100	1,25 €
999	SX710514400	CABLE X22/CTN	1		710514400	
999	711193200	CABLE V3V	1	6,99 €		
999	7218355	CABLAGE PWM EXTRACT./I	1	11,00 €		
999	7669306	CABL. EXTRAC./POMPE WI.	1	22,90 €		
999	7669308	CABL. EXTRAC./POMPE GR	1	15,30 €		
999	7656919	BOUCHON DE SIPHON (JAL	1	3,82 €		
999	7101684	RACCORD CAPTEUR DE PF	1	2,62 €		





INITIA + HTE (2015 -> ...)
INITIA+ HTE 2.40 (7223632)

Réf.	Référence	Description	Qté	Tarif	Substitut	Tarif Sub.	Remarques
0	7840000	TUBE GAZ LUNA4 450 -FR-N	1	23,50 €			
10	SX710788700	ROBINET DEPART CHAUFF.	1		710788700		
20	SX710788800	COUDE DEPART ECS	1		710788800		
30	SX5112530	RESSORT FIXATION DISCO	1		JJD005112530	1,25 €	
40	SX710467500	COLLECTEUR DE VIDANGE	1		7647520		
50	SX710788900	ROBINET DE GAZ	1		7780763		
60	SX5209540	ECROU G1/2	1		JJJ005209540		
70	SX710014800	TRAVERSE FIXATION SUPE	1		710014800		
80	SX5404970	JOINT 3/8" (x10) (PDM5404	1		JJJ005404970		
90	SX5402050	JOINT 6,1x11,5x1,5 (X3)	1		JJJ005402050	3,10 €	
100	SX710826000	ROBINET EF	1		710826000		
110	SX710826100	ROBINET RET.CHAUFFAGE	1		710826100		
120	SX710796100	DISCONNECTEUR	1		710796100		
130	SX710808200	TUBE DISCONNECTEUR	1		710808200		
140	SX9950320	CONTRE ECROU G 3/4 (€	1		JJJ009950320		
150	SX710829900	TUBE GAZ	1		710829900		
160	SX710777000	DOUILLE COUDE EF/ECS	1		710777000		
170	SX5657630	TUBE D:18 (5657630)	1		JJJ005657630		
180	SX5632850	POCHETTE DE JOINT	1		JJJ005632850		
190	SX0617430	TUBE SORTIE SIPHON	1		JJJ000617430		