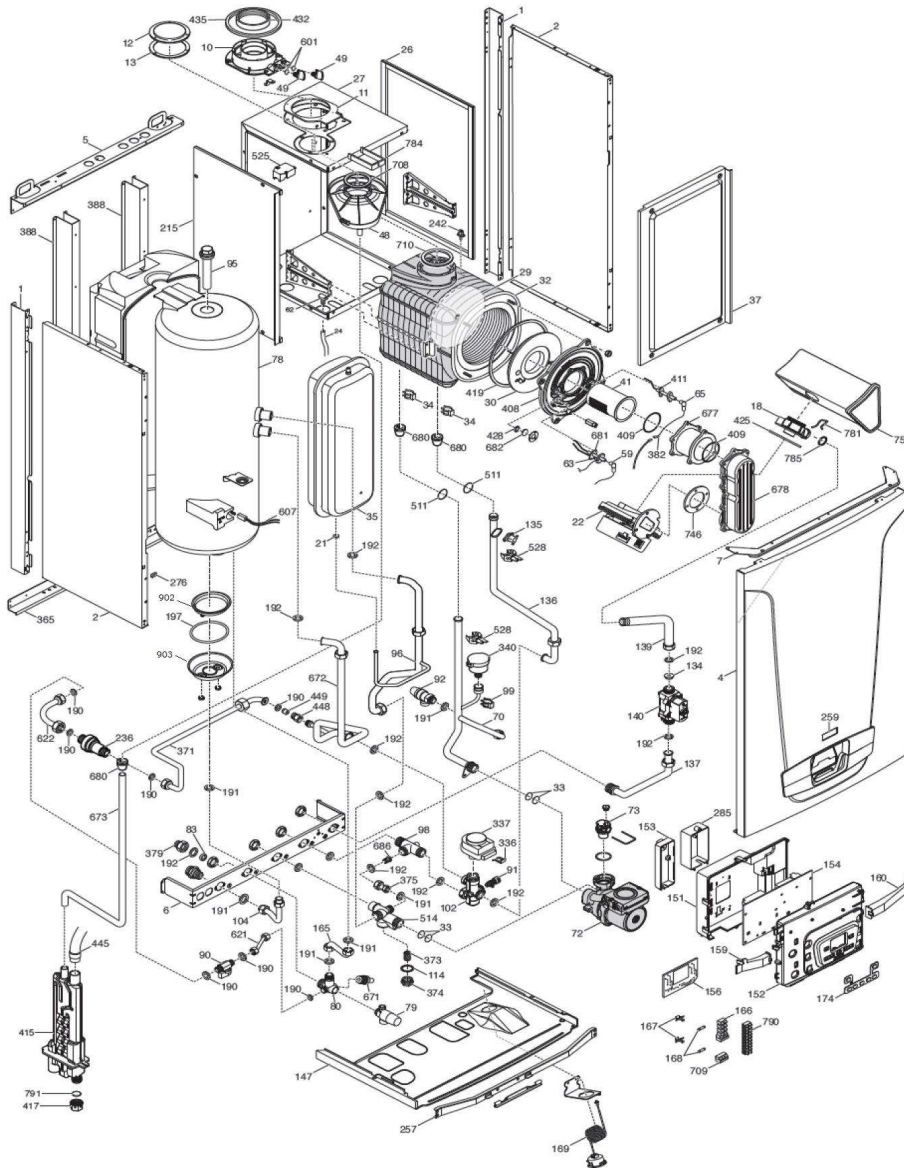




INITIA PLUS DUO

A PARTIR DE MAI 2015

N°	721859201	INITIA PLUS DUO 3.24 HTE	
----	-----------	--------------------------	--



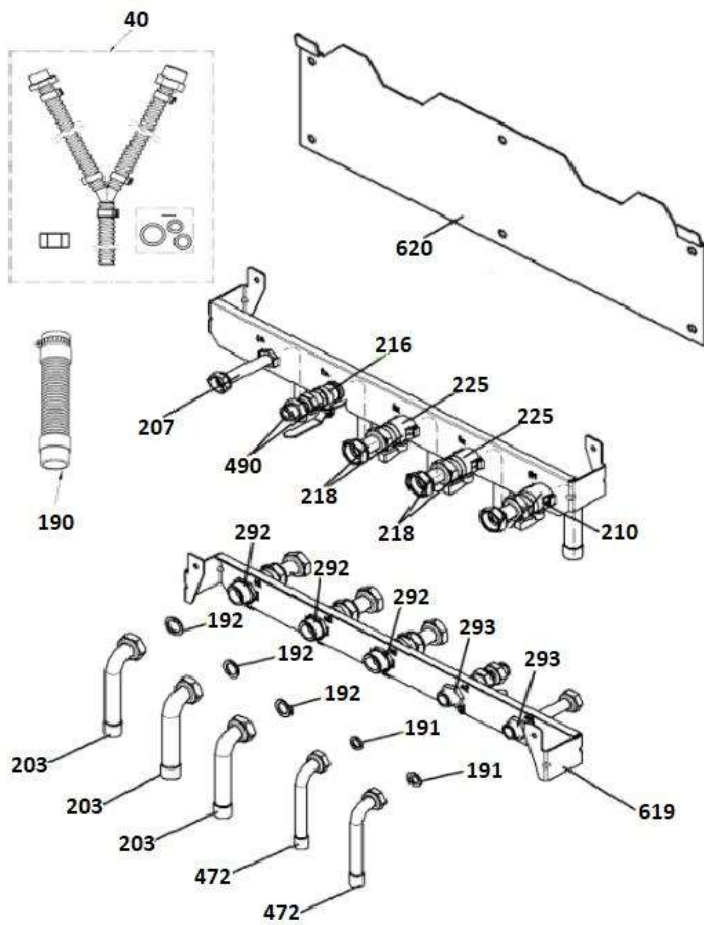
1

INITIA PLUS DUO 3.24 HTE - 721859201\_Vue

Réf.	Référence	Description	Qté	Tarif	Substitut	Tarif Sub.	Remarques
0	SX710103100	CABLE MASSE	1		710103100	1,25 €	
0	SX710079700	CABLE X20/M2 SONDAS AU	1		710079700	1,86 €	
0	SX710062800	CABLE X42/M2-SONDE QAA	1		710062800	3,72 €	
0	SX710066500	CABLE X12/M1-TA	1		710066500	1,98 €	
0	SX710038600	CABLE X41/AFFICHEUR	1		710038600	4,81 €	
0	SX710057600	CABLE X10/BORNIER M1	1		710057600	3,28 €	
0	SX710348300	CABLE X21/M2-CTN BALLOI	1		710348300		
0	SX8414540	CABLE M1/TA (84	1		JJD008414540	1,25 €	
0	SX8414620	CABLE M1 ALIM ELEC	1		JJD008414620	4,26 €	
0	7218356	CABL.VANNE G./POMPE WI	1	33,30 €			
0	7219263	CAB.VANNE G./POMPE GR/I	1	35,00 €			
0	7218357	CABLAGE BASSE TENSION	1	30,60 €			
1	SX5116480	MONTANT LATERAL (511	1		JJD005116480		
2	SX5116490	PANNEAU LATERAL	1		JJJ005116490		
4	SX710864900	PANNEAU AVANT INITIA PLI	1		710864900		
5	SX5114030	TRAVERSE ARRIERE SUPE	1		JJJ005114030		
6	SX5106550	TRAVERSE PLATINE HYDR/	1		JJJ005106550		
7	SX710347200	TRAVERSE AVANT SUPERII	1		710347200		
10	SX5409020	RACCORDMENT VENTOU:	1		JJJ005409020		
11	SX5409010	JOINT VENTOUSE CAOUTC	1		JJJ005409010		
12	SX5108690	OBTURATEUR (510869)	1		JJD005108690		
13	SX5407400	JOINT OBTURATEUR DECO	1		JJD005407400		
18	SX710078400	VENTURI AGU3721	1		710078400		
21	SX5402050	JOINT 6,1x11,5x1,5 (X3)	1		JJJ005402050	3,10 €	
22	7680621	EXTRACTEUR NRG118	1	183,00 €			
24	SX5402490	TUBE SILICONE "VANNE GA	1		JJJ005402490		
26	SX710333900	PANNEAU DROIT CHAMBRE	1		710333900		
27	7222261	CHAMBRE ETANCHE	1	20,10 €			
29	SX710283700	PANNEAU ISOLANT ARRIF	1		710283700		
30	SX5411020	PANNEAU ISOLANT (€	1		JJJ005411020		
32	SX5671940	ECHANGEUR PRINCIPAL 4E	1		JJD005671940		
33	SX710963000	O-RING 22X3 EPDM (x3)	1		710963000	5,19 €	
34	SX8380860	CLIPS ECHANGEUR PRINCI	1		JJJ008380860		
35	SX5629130	VASE D'EXPANSION 7,5L	1		JJD005629130	69,70 €	
37	SX710352600	PANNEAU AV CHAMBRE ET	1		710352600		
41	7115450	BRULEUR 4E	1	25,90 €			
48	SX710332800	GOUTIERE AIR NEUF	1		710332800		
49	SX5409280	BOUCHON RACCORD.VENT	1		JJJ005409280		
59	SX8513520	CABLE ELECT.D'ALLUMAGE	1		JJJ008513520		
62	SX5409570	PRISE DE PRESSION FF	1		JJD005409570		
63	SX710220000	ELECTRODE ALLUMAGE HI	1		JJD710220000		
65	SX710220700	ELECTRODE IONISATION H	1		710220700	21,60 €	
70	SX710333200	TUBE POMPE/ECHANGEUR	1		710333200		
72	7221855	POMPE UMP 15-60 6M AVEC	1		7704776	231,00 €	
73	7219215	DEGAZEUR CALEFFI WI	1	12,90 €			
73	SX710493600	DEGAZEUR POMPE	1		710493600	30,20 €	
78	SX710335600	BALLON AVEC ISOLATION	1		710335600		
79	SX9950620	SOUPAPE DE SECURITE 7E	1		JJJ009950620		
80	SX5668600	RACCORD ENTREE SANITA	1		JJJ005668600		

83	SX5620090	LIMITEUR DEBIT SANIT.12L	1	JJJ005620090	
90	SX5622840	ROBINET DE REMPLISSAGE	1	7225860	47,30 €
91	SX5652030	ROBINET DE VIDANGE	1	JJD005652030	5,19 €
92	SX9950600	SOUPAPE DE SECURITE 3E	1	JJD009950600	
95	SX5668740	ANODE MAGNESIUM	1	JJJ005668740	
96	SX710339000	TUBE ENT.SERPENTIN/RAC	1	710339000	
98	SX5212040	TUBE BY-PASS CHAUFFAGE	1	JJJ005212040	
99	SX8380850	CLIP TUBE BY-PASS	1	JJD008380850	
102	SX5663040	ENS.VANNE 3 VOIES	(€ 1	JJD005663040	
104	SX5668570	CONNEXION DEPART ECS	1	JJJ005668570	
114	SX5403820	JOINT O-RING (x3) (540382	1	JJJ005403820	
134	SX710011500	DIAPHRAGME GAZ D5,6	1	710011500	
135	SX9950760	SECURITE SURCHAUFFE 10	1	JJJ009950760	
136	SX710333800	TUBE ECHANGEUR/V3V	1	710333800	
137	SX710341200	TUBE ENTREE VANNE GAZ	1	710341200	
139	SX710341400	TUBE GAZ VG/VENTURI	1	710341400	
140	SX710023400	VANNE GAZ VGU86S	1	710023400	
147	SX710353100	PANNEAU INFERIEUR	1	710353100	
151	SX710018500	COUVERCLE BOITIER ELEC	1	710018500	6,55 €
152	SX710036800	PANNEAU AV.TABLEAU DE	1	710036800	
153	SX710018200	CAPOT BORNIER DE RACC	1	710018200	1,25 €
154	7222134	CIRCUIT LMS 14 DUO/CH SI	1	7766811	
156	7222166	CIRCUIT IMPRIME AVS77 EI	1	51,80 €	
159	SX710345000	CHARNIERE GAUCHE	1	710345000	
160	SX710344900	CHARNIERE DROITE	1	710344900	
165	SX5668580	TUBE ENTREE SANITAIRE	1	JJJ005668580	
166	SX8421590	BORNIER DE RACCORDEME	1	JJD008421590	13,40 €
167	SX5405340	PORTE-FUSIBLES (x3) (PDM	1	JJJ005405340	1,25 €
168	SX9950580	FUSIBLES 2A 250V (X10) (€	1	JJJ009950580	1,25 €
169	SX9951650	MANOMETRE AVEC SUPPO	1	JJD009951650	11,90 €
174	SX710100400	CLAVIER DIPLAY 7 TOUCHE	1	710100400	
190	SX5404970	JOINT 3/8" (x10) (PDM5404	1	JJJ005404970	
191	SX5408970	JOINT G1/2" (5408970	1	JJD005408970	1,25 €
192	SX5404650	JOINT G3/4" 17x24x2 (X10) ;	1	JJJ005404650	4,00 €
197	SX5412820	JOINT OR 44,17x1,78 (X3)	1	JJD005412820	8,19 €
215	SX710334000	PANNEAU GAUCHE CHAMB	1	JJD710334000	
236	SX5625310	DISCONNECTEUR CALEFFI	1	JJJ005625310	
242	SX8435270	SONDE CTN FUMEE	1	JJD008435270	
257	SX710347300	TRAVERSE TABLEAU DE BC	1	710347300	
259	SX710828100	LOGO CHAPPEE	1	710828100	1,25 €
276	SX1340440	CLIP (1340440)	1	JJD001340440	
285	SX710083600	CAPOT CLIP-IN	1	710083600	1,25 €
336	SX8380680	RESSORT FIX MOTEUR V3V	1	JJD008380680	1,25 €
337	SX5694580	MOTEUR V3V ELBI	1	JJD005694580	29,80 €
340	SX710109100	CAPTEUR DE PRESSION	1	JJD710109100	
365	SX5106530	TRAVERSE ARRIERE INFEF	1	JJD005106530	
371	SX711020200	TUBE REMPLISSAGE CIRCL	1	711020200	12,30 €
373	SX5109080	FILTRE CHAUFFAGE (PDM5	1	JJJ005109080	
374	SX5212030	BOUCHON PORTE FILTRE M	1	JJJ005212030	
375	SX5663030	TUBE BY-PASS (566	1	JJJ005663030	

379	SX5206120	REDUCTION FM G 3/4-1/2	1		JJJ005206120	
382	SX710206300	CABLE ELECTRODE IONISA	1		710206300	
388	SX5114060	TRAVESE FIX. ARRIERE	1		JJJ005114060	
408	711571000	BRIDE CHAMBRE DE COMB	1	39,00 €		
409	7215431	ENS.JOINT BRULEUR	1	4,16 €		
411	SX710185200	JOINT ELECTRODE IONISA	1		7101852	1,86 €
417	7656919	BOUCHON DE SIPHON (JAL	1	3,82 €		
415	7658689	SIPHON HAUT.220MM	1	29,10 €		
419	SX5411000	JOINT BRIDE/ECHANGEUR	1		JJD005411000	
425	SX710042400	JOINT DE VENTURI	1		710042400	
428	SX5409290	JOINT HUBLLOT (X3) (5409	1		7780612	
432	SX5410420	JOINT FUMEEES Å~60	1		JJD005410420	
435	SX5407550	JOINT FUMEEES Å~100 (54	1		JJJ005407550	
445	SX710333100	FLEXIBLE DE LIAISON SIPH	1		710333100	
448	SX5209230	PORTE CLAPET ANTIRETOI	1		JJJ005209230	
449	SX5640030	CLAPET ANTI RETOUR	1		JJD005640030	
511	SX5404600	O-RING 17,86X2,62 (X3)	1		JJJ005404600	2,70 €
514	SX710337800	RACCORD RET CHAUF/POM	1		710337800	
525	SX8435260	ALLUMEUR ANSTOS ZAG 2	1		JJJ008435260	
528	SX710439300	SONDE CTN TODS	1		JJD710439300	
601	SX5408560	O-RING 8,73X1,78 (x3) (54	1		JJJ005408560	4,16 €
607	SX8434930	SONDE CTN SANITAIRE	1		JJJ008434930	
621	SX5663120	TUBE REMPLISSAGE /CHAL	1		JJJ005663120	
622	SX5622860	TUBE BALLON/DISCONNEC	1		JJJ005622860	
671	SX5646780	ROBINET DE VIDANGE	1		JJJ005646780	
672	SX710338900	TUBE SORT.SERPENTIN / V	1		710338900	
673	SX710333000	TUBE GOUTIERE /SIPHON	1		710333000	
677	SX5212930	RALLONGE BRULEUR 5E (E	1		JJJ005212930	
678	SX710051400	AIR-GAS CONVEYOR SS.LU	1		710051400	
680	SX5409250	JOINT PASSE-TUBE D:15	1		JJD005409250	
681	SX710185300	JOINT ELECTRODE D'ALLUI	1		JJD710185300	1,48 €
682	SX5211800	HUBLLOT (5211800)	1		JJJ005211800	
686	SX5663020	CLAPET ANTI-RETOUR	1		JJD005663020	
708	SX5410970	JOINT D:60 (5410970)	1		JJD005410970	
709	SX8423160	DOMINOS PORTE FUSIBLE(	1		JJJ008423160	
710	SX5411030	JOINT D:80 (5411030)	1		JJJ005411030	
746	SX5410900	JOINT VENTILATEUR (5410	1		JJJ005410900	
758	SX710051700	BOITE A AIR	1		710051700	14,50 €
781	SX710011400	CLIP FIXATION FLEXIBLE G.	1		JJD710011400	1,25 €
784	SX710123900	SUPPORT REDUCTION AIR	1		710123900	
785	SX710061400	O-RING 18x3 EPDM	1		JJD710061400	1,25 €
790	SX710117900	BORNIER M2	1	2,74 €		
903	SX5115820	COUVERCLE INFERIEUR A\	1		JJD005115820	50,70 €
902	JJJ003112670	BRIDE	1	94,70 €		





INITIA + HTE (2015 -> ...)  
INITIA+ DUO HTE 3.25 (7218584)

Réf.	Référence	Description	Qté	Tarif	Substitut	Tarif Sub.	Remarques
40	SX710487900	COLLECTEUR DE VIDANGE	1		710487900		
190	SX0617430	TUBE SORTIE SIPHON	1		JJJ000617430		
191	SX5408970	JOINT G1/2" (5408970)	1		JJD005408970	1,25 €	
192	SX5404650	JOINT G3/4" 17x24x2 (X10)	1		JJJ005404650	4,00 €	
203	SX5625140	TUBE D:18 (5625140)	1		JJJ005625140		
203	SX5668850	TUBE D:14 (5668850)	1	Nous consulter...			
207	SX5663960	TUBE SORTIE SANITAIRE	1		JJJ005663960		
210	SX9950830	ROBINET MM G3/4" (9950830)	1		7780763		
216	SX5626790	ROBINET ENTREE SANITAIRE	1		JJJ005626790		
218	SX5661560	GROUPE ROBINET CHAUFFAGE	1		JJJ005661560		
225	SX9950840	ROBINET CHAUFFAGE G3/4"	1		JJJ009950840		
292	SX9950320	CONTRE ECROU G 3/4 (9950320)	1		JJJ009950320		
293	SX5204900	CONTRE ECROU G 1/2 (5204900)	1		JJJ005204901		
472	SX5625150	TUBE D:14 (5625150)	1		JJJ005625150		
472	SX5668850	TUBE D:14 (5668850)	1	Nous consulter...			
490	SX5626810	GROUPE ROBINET ENTR SANITAIRE	1		JJJ005626810		
619	SX5113870	TRAVERSE PLATINE HYDRAULIQUE	1		JJJ005113870		
620	SX5109750	TRAVERSE SUPERIEURE	1		JJD005109750		
999	SX0614720	SACHET DE JOINTS	1		JJJ000614720		
999	KFG714073711	BARRETTE POUR CHAUDIERE	1		C14073711		
999	SX9223960	GABARIT EN PAPIER (9223960)	1		SX9220230		
999	SX5660080	GROUPE VIS DE FIXATION	1	12,90 €			