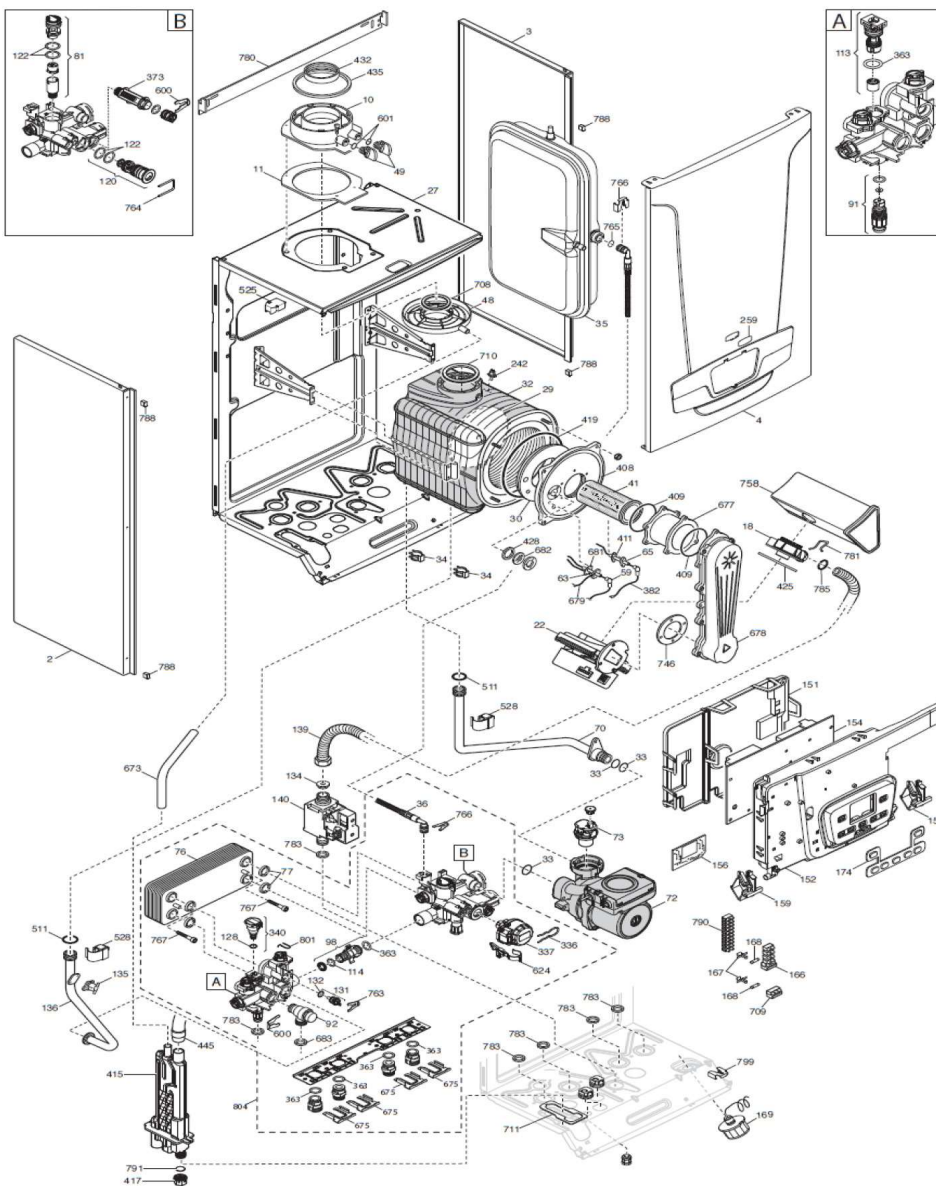




INITIA PLUS HTE

A PARTIR DE MAI 2015

N°	721858401	INITIA PLUS COMPACT 2.33 HTE
----	-----------	------------------------------




1

INITIA PLUS COMPACT 2.33 HTE - 721858401_Vue



INITIA + HTE (2015 -> ...)
INITIA+ COMPACT HTE 2.33

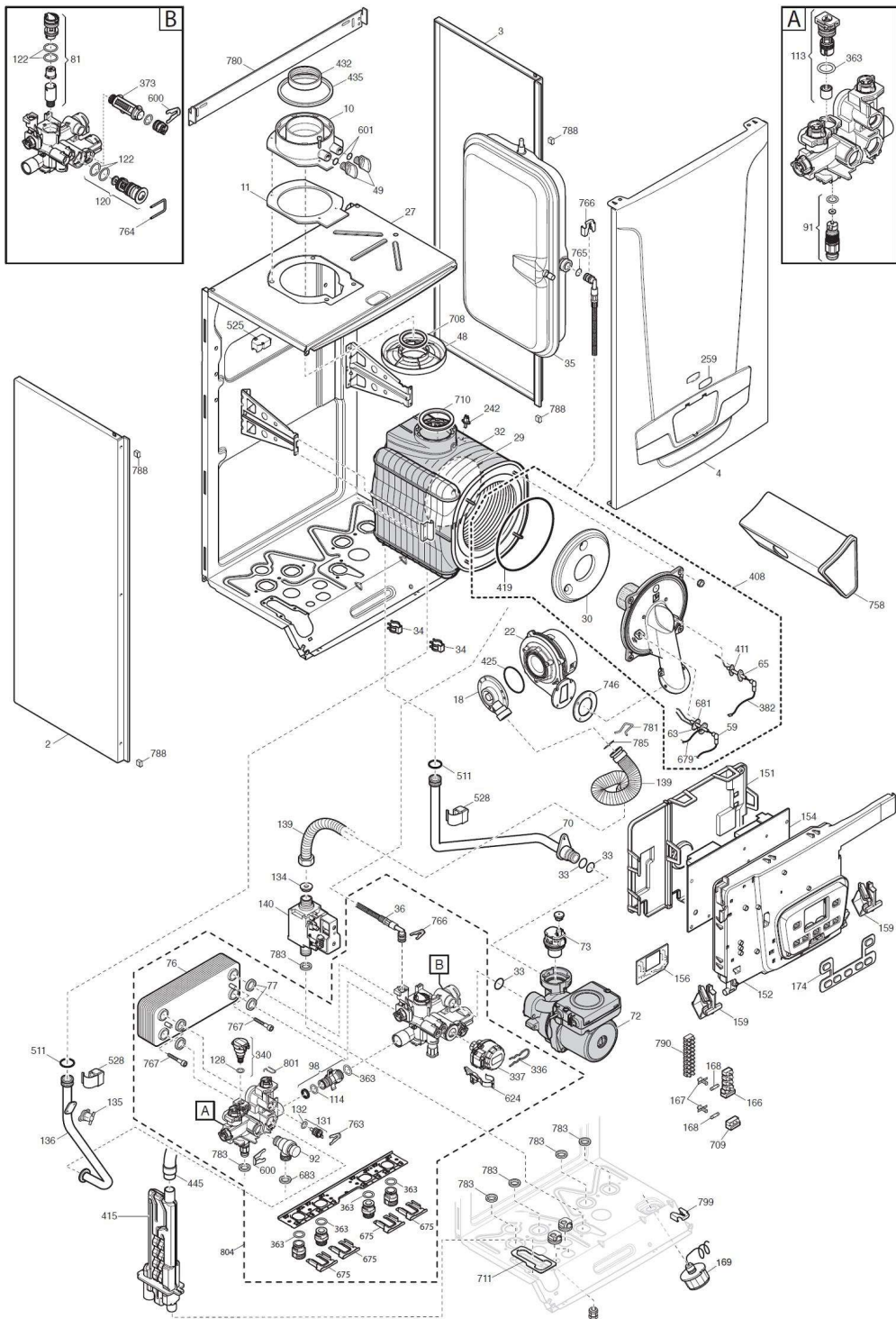
Réf.	Référence	Description	Qté	Tarif	Substitut	Tarif Sub.	Remarques
0	SX710968100	CABLE X10/M1-ALIM	1		710968100		
0	SX710968200	CABLE X14/VG-ALLUMEUR	1		710968200		
0	SX710968300	CABLE X12/M1-TA	1		710968300		
0	SX710674700	CAB.COMPOSANTES BASS	1		710674700		
0	711161900	CABLE VENT/POMPE	1	9,18 €			
0	SX710071700	CABLE RALLONGE CTN FUI	1		710071700		
0	SX710079700	CABLE X20/M2 SONDAS AU	1		710079700	1,86 €	
0	SX710062700	CABLE X21/M2-SONDE BAL	1		710062700		
0	SX710062800	CABLE X42/M2-SONDE QAA	1		710062800	3,72 €	
0	SX8414540	CABLE M1/TA (84	1		JJD008414540	1,25 €	
0	SX8414620	CABLE M1 ALIM ELEC	1		JJD008414620	4,26 €	
0	721317000	CABLE V3V	1	6,99 €			
0	7218355	CABLAGE PWM EXTRACT./I	1	11,00 €			
0	7219253	CABL.EXTRACT./POMPE GF	1	12,00 €			
0	SX710038600	CABLE X41/AFFICHEUR	1		710038600	4,81 €	
2	SX710967100	PANNEAU COTE GAUCHE	1		7673010		
3	SX710650900	PANNEAU COTE DROIT	1		7673007		
4	SX710827800	PANNEAU AVANT INITIA PL	1		7673016	46,70 €	
10	SX5409020	RACCORDEMENT VENTOU:	1		JJJ005409020		
11	SX5409010	JOINT VENTOUSE CAOUTC	1		JJJ005409010		
18	SX710069000	VENTURI AGU3728	1		710069000		
22	SX710692300	VENTILATEUR NRG118	1		7680621	183,00 €	
27	7219275	CHAMBRE ETANCHE BITRC	1	26,50 €			
29	SX710283600	PANNEAU ISOLANT ARRIEF	1		JJD710283600		
30	SX5411020	PANNEAU ISOLANT (5	1		JJJ005411020		
32	SX5671950	ECHANGEUR PRINCIPAL 5E	1		JJD005671950		
33	SX710963000	O-RING 22X3 EPDM (x3)	1		710963000	5,19 €	
34	SX8380860	CLIPS ECHANGEUR PRINCI	1		JJJ008380860		
35	SX710630400	VASE D'EXPANSION 7 LITR	1		JJD710630400		
36	SX710039400	TUBE VASE D'EXPANSION	1		710039400		
41	SX5672010	BRULEUR 5 E (5)	1		7115703		
48	SX710039800	GOUTIERE AIR NEUF	1		JJD710039800		
49	SX5409280	BOUCHON RACCORD.VENT	1		JJJ005409280		
59	SX8513520	CABLE ELECT.D'ALLUMAGE	1		JJJ008513520		
63	SX710220000	ELECTRODE ALLUMAGE HI	1		JJD710220000		
65	SX710220700	ELECTRODE IONISATION H	1		710220700	21,60 €	
70	SX710676800	TUBE POMPE-ECHANGEUR	1		7113762		
72	7221855	POMPE UMP 15-60 6M AVEC	1		7704776	231,00 €	
73	SX710493600	DEGAZEUR POMPE	1		710493600	30,20 €	
76	SX5689930	ECHANGEUR SANITAIRE 2C	1		JJJ005689930		
77	SX5404520	JOINT ECHANGEUR SANIT/	1	8,63 €			
81	SX710118800	GROUPE FILTRE EF 10 L	1		JJD710118800		
91	SX710045500	ROBINET DE VIDANGE	1		JJD710045500		
92	SX710109400	SOUPAPE SECURITE 3BAR	1		JJD710109400		
98	SX710046300	TUBE BY-PASS	1		JJD710046300		
113	SX710048300	BY-PASS	1	9,73 €			
114	SX710046400	O-RING 15,54x2,62	1		JJD710046400		
120	7214038	CHARGEUR VANNE 3 VOIE	1	43,40 €			
122	SX710047800	O-RING 23,47x2,62	1		JJD710047800		

128	SX710048800	O-RING 8,9x1,9	1	JJD710048800		
131	7213094	SONDE NTC NICKEL	1	JJD721309400		
132	SX710049100	O-RING 11,91x2,62 OR115	1	JJD710049100		
134	SX710090900	DIAPHRAGME GAZ D7	1	710090900		
134	7742789	KIT PROPANE INITIA PLUS	1		13,70 €	
135	SX9950760	SECURITE SURCHAUFFE 10	1	JJJ009950760		
136	SX710676900	TUBE DEPART CHAUFFAGE	1	7113761	21,70 €	Nous vous recommandons d'ajouter à votre commande le repère 511 (SX5404600)
139	SX710801400	TUBE ENTREE GAZ FLEX	1	Nous consulter...		
140	SX710023400	VANNE GAZ VGU86S	1	710023400		
151	SX710905500	COUVERCLE BOITIER ELEC	1	710905500		
152	SX710905400	PANNEAU DE COMMANDE	1	710905400		
154	7213383	CIRCUIT IMPR.LMS14 INITIA	1	7766809		
156	7222166	CIRCUIT IMPRIME AVS77 EI	1		51,80 €	
159	SX710569200	PANNEAU FERMOIR	1	JJD710569200		
166	SX5688430	BARRETTE DE CONNEXION	1	JJD005688430		
167	SX5405340	PORTE-FUSIBLES (x3) (PDI	1	JJJ005405340	1,25 €	
168	SX9950580	FUSIBLES 2A 250V (X10) (1	JJJ009950580	1,25 €	
169	SX710673600	MANOMETRE D.28	1	710673600		
174	SX710126300	NÂ°7 BOUTONS PANNEAU (1	710126300		
242	SX8435270	SONDE CTN FUMEE	1	JJD008435270		
259	SX710828100	LOGO CHAPPEE	1	710828100	1,25 €	
336	SX710047400	RESSORT FIX MOTEUR V3\	1	JJD710047400		
337	SX710047300	MOTEUR VANNE 3 VOIES	1	JJD710047300		
340	SX710109100	CAPTEUR DE PRESSION	1	JJD710109100		
363	SX710045300	O-RING 17,96x2,62	1	JJD710045300		
373	SX710047100	FILTRE CHAUFFAGE	1	JJD710047100		
382	SX710127500	CABLAGE ELECTRODE ION	1	JJD710127500		
408	711571000	BRIDE CHAMBRE DE COMB	1		39,00 €	
409	7215431	ENS.JOINT BRULEUR	1		4,16 €	
411	SX710185200	JOINT ELECTRODE IONISA	1	7101852	1,86 €	
415	7216790	SIPHON HYDRAULIQUE H1	1	7658062		
417	7216792	BOUCHON SIPHON HYDRAI	1	7657453		
419	SX5411000	JOINT BRIDE/ECHANGEUR	1	JJD005411000		
425	SX710042400	JOINT DE VENTURI	1	710042400		
428	SX5409290	JOINT HUBLLOT (X3) (5409	1	7780612		
432	SX5410420	JOINT FUMEEES Ã~60	1	JJD005410420		
435	SX5407550	JOINT FUMEEES Ã~100 (540	1	JJJ005407550		
445	SX710061700	TUBE ECHANG/SIPHON	1	710061700		
511	SX5404600	O-RING 17,86X2,62 (X3)	1	JJJ005404600	2,70 €	
525	SX8435260	ALLUMEUR ANSTOS ZAG 2	1	JJJ008435260		
528	SX710439300	SONDE CTN TODS	1	JJD710439300		
600	SX710045400	RESSORT PLAT D18	1	JJD710045400		
601	SX5408560	O-RING 8,73X1,78 (x3) (540	1	JJJ005408560	4,16 €	
624	SX710976600	CAPTEUR ON-OFF	1	JJD710976600		
673	SX710061600	TUBE GOUTIERE /SIPHON	1	710061600		
675	SX710046100	DOUBLE VERROUIL.RESSC	1	JJD710046100		
678	SX710051400	AIR-GAS CONVEYOR SS.LU	1	710051400		

INITIA+ COMPACT HTE 2.33

679	SX8511150	CABLE MASSE ELECTR.D'A	1		JJJ008511150	
681	SX710185300	JOINT ELECTRODE D'ALLUI	1		JJD710185300	1,48 €
682	SX5211800	HUBLLOT (5211800)	1		JJJ005211800	
683	SX5408810	JOINT GAZ/CHAMB ETANC	1	Nous consulter...		
708	SX5410970	JOINT D:60 (5410970)	1		JJD005410970	
709	SX8423160	DOMINOS PORTE FUSIBLE(1		JJJ008423160	
710	SX5411030	JOINT D:80 (5411030)	1		JJJ005411030	
711	7216964	JOINT SIPHON 721696400	1	1,48 €		
746	SX5410900	JOINT VENTILATEUR (54109	1		JJJ005410900	
758	SX710088400	SILENCIEUX BOITE A AIR	1		710088400	14,50 €
763	SX710046700	CLIP D12 SONDE PRESSIO	1		JJD710046700	
764	SX710047500	U-CLIP DE FISSAGE D.3	1	1,69 €		
765	SX710045700	O-RING 9,19X2,62	1		JJD710045700	
766	SX710106700	RESSORT PLAT D.10	1		710106700	
767	SX710046900	VIS ECHANGEUR 11300169	1		JJD710046900	
780	SX710633100	TRAVERSE SUPERIEURE B.	1		710633100	
781	SX710011400	CLIP FIXATION FLEXIBLE G.	1		JJD710011400	1,25 €
783	SX710039500	JOINT GROUPE HYDRAULIC	1		710039500	
785	SX710061400	O-RING 18x3 EPDM	1		JJD710061400	1,25 €
788	SX710176000	JOINT CHAMBRE DE COMB	1		710176000	
790	SX710117900	BORNIER M2	1	2,74 €		
791	7216953	JOINT BOUCHON SIPHON	1		7657453	
799	SX710654100	RESSORT FIX.D.9MM	1		710654100	
801	SX710048700	CLIP FIX PRESSOSTAT	1		JJD710048700	
804	SX710827700	GROUPE HYDRAUL. COMPI	1		710827700	

Tab 671





INITIA + HTE (2015 -> ...)
INITIA+ COMPACT HTE 2.33

Réf.	Référence	Description	Qté	Tarif	Substitut	Tarif Sub.	Remarques
2	7677788	PANNEAU COTE GAUCHE	1	53,90 €			
3	7673005	PANNEAU COTE DROIT	1	Nous consulter...			⊘
4	7673016	PANNEAU AVANT	1	46,70 €			
10	SX5409020	RACCORDEMENT VENTOU:	1		JJJ005409020		
11	SX5409010	JOINT VENTOUSE CAOUTC	1		JJJ005409010		
18	SX710069000	VENTURI AGU3728	1		710069000		
22	7680621	EXTRACTEUR NRG118	1	183,00 €			
27	7219275	CHAMBRE ETANCHE BITRC	1	26,50 €			
29	SX710283600	PANNEAU ISOLANT ARRIEF	1		JJD710283600		
30	SX5411020	PANNEAU ISOLANT (€	1		JJJ005411020		
32	SX5671950	ECHANGEUR PRINCIPAL 5E	1		JJD005671950		
33	SX710963000	O-RING 22X3 EPDM (x3)	1		710963000	5,19 €	
34	SX8380860	CLIPS ECHANGEUR PRINCI	1		JJJ008380860		
35	SX710630400	VASE D'EXPANSION 7 LITRI	1		JJD710630400		
36	SX710039400	TUBE VASE D'EXPANSION	1		710039400		
48	7681607	PLATEAU PORTE CONDENS	1	6,99 €			
49	SX5409280	BOUCHON RACCORD.VENT	1		JJJ005409280		
59	SX8513520	CABLE ELECT.D'ALLUMAGE	1		JJJ008513520		
63	SX710220000	ELECTRODE ALLUMAGE HT	1		JJD710220000		
65	SX710220700	ELECTRODE IONISATION H	1		710220700	21,60 €	
70	7677787	TUBE POMPE-ECHANGEUR	1	24,90 €			
72	7221855	POMPE UMP 15-60 6M AVEC	1		7704776	231,00 €	
73	7219215	DEGAZEUR CALEFFI WI	1	12,90 €			
73	SX710493600	DEGAZEUR POMPE	1		710493600	30,20 €	
76	SX5689930	ECHANGEUR SANITAIRE 2C	1		JJJ005689930		
77	SX5404520	JOINT ECHANGEUR SANITA	1	8,63 €			
81	SX710118800	GROUPE FILTRE EF 10 L	1		JJD710118800		
91	SX710045500	ROBINET DE VIDANGE	1		JJD710045500		
92	SX710109400	SOUPAPE SECURITE 3BAR	1		JJD710109400		
98	SX710046300	TUBE BY-PASS	1		JJD710046300		
113	SX710048300	BY-PASS	1	9,73 €			
114	SX710046400	O-RING 15,54x2,62	1		JJD710046400		
120	7214038	CHARGEUR VANNE 3 VOIES	1	43,40 €			
122	SX710047800	O-RING 23,47x2,62	1		JJD710047800		
128	SX710048800	O-RING 8,9x1,9	1		JJD710048800		
131	7213094	SONDE NTC NICKEL	1		JJD721309400		
132	SX710049100	O-RING 11,91x2,62 OR115	1		JJD710049100		
134	SX710090900	DIAPHRAGME GAZ D7	1		710090900		
134	7742789	KIT PROPANE INITIA PLUS	1	13,70 €			
135	SX9950760	SECURITE SURCHAUFFE 10	1		JJJ009950760		
136	7113761	TUBE DEPART CHAUFFAGE	1	21,70 €			
139	7672705	TUBE GAZ FLEXIBLE	1	30,60 €			
140	SX710023400	VANNE GAZ VGU86S	1		710023400		
151	SX710905500	COUVERCLE BOITIER ELEC	1		710905500		
152	SX710905400	PANNEAU DE COMMANDE	1		710905400		
154	7222146	CIRCUIT LMS 14 COMPACT	1		7766809		
156	7222166	CIRCUIT IMPRIME AVS77 EI	1	51,80 €			
159	SX710569200	PANNEAU FERMOIR	1		JJD710569200		
166	SX5688430	BARRETTE DE CONNEXION	1		JJD005688430		

INITIA+ COMPACT HTE 2.33

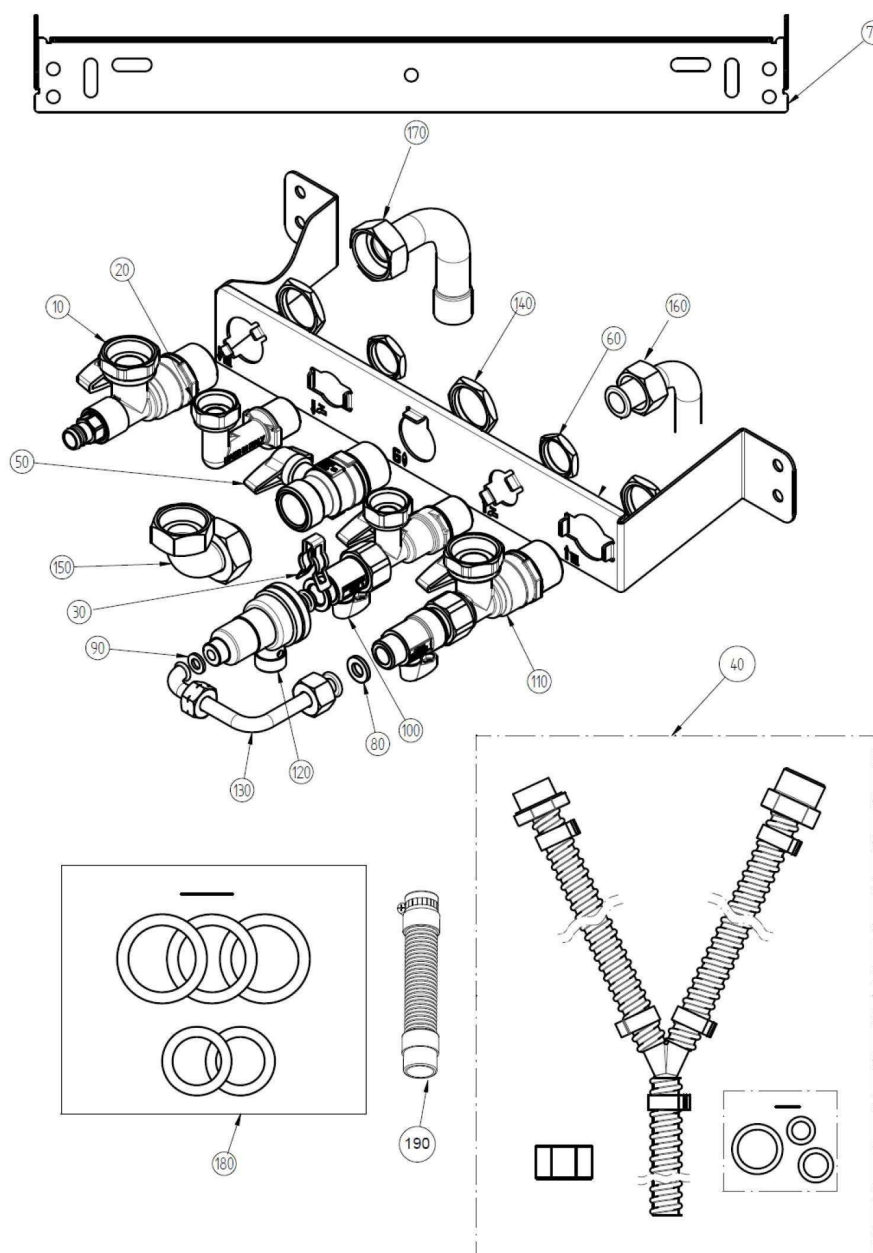
167	SX5405340	PORTE-FUSIBLES (x3) (PDI	1	JJJ005405340	1,25 €
168	SX9950580	FUSIBLES 2A 250V (X10) (1	JJJ009950580	1,25 €
169	SX710673600	MANOMETRE D.28	1	710673600	
174	SX710126300	NÂ°7 BOUTONS PANNEAU (1	710126300	
242	SX8435270	SONDE CTN FUMEE	1	JJD008435270	
259	SX710828100	LOGO CHAPPEE	1	710828100	1,25 €
336	SX710047400	RESSORT FIX MOTEUR V3\	1	JJD710047400	
337	SX710047300	MOTEUR VANNE 3 VOIES	1	JJD710047300	
340	SX710109100	CAPTEUR DE PRESSION	1	JJD710109100	
363	SX710045300	O-RING 17,96x2,62	1	JJD710045300	
373	SX710047100	FILTRE CHAUFFAGE	1	JJD710047100	
382	SX710127500	CABLAGE ELECTRODE ION	1	JJD710127500	
411	SX710185200	JOINT ELECTRODE IONISA	1	7101852	1,86 €
415	7658691	SIPHON HYDRAULIQUE H1	1	23,70 €	
419	SX5411000	JOINT BRIDE/ECHANGEUR	1	JJD005411000	
428	SX5409290	JOINT HUBLLOT (X3) (5409	1	7780612	
432	SX5410420	JOINT FUMEEES Å°60	1	JJD005410420	
435	SX5407550	JOINT FUMEEES Å°100 (540	1	JJJ005407550	
445	SX710061700	TUBE ECHANG/SIPHON	1	710061700	
511	SX5404600	O-RING 17,86X2,62 (X3)	1	JJJ005404600	2,70 €
525	SX8435260	ALLUMEUR ANSTOS ZAG 2	1	JJJ008435260	
528	SX710439300	SONDE CTN TODS	1	JJD710439300	
600	SX710045400	RESSORT PLAT D18	1	JJD710045400	
601	SX5408560	O-RING 8,73X1,78 (x3) (540	1	JJJ005408560	4,16 €
624	SX710976600	CAPTEUR ON-OFF	1	JJD710976600	
675	SX710046100	DOUBLE VERROUIL.RESSC	1	JJD710046100	
679	SX8511150	CABLE MASSE ELECTR.D'A	1	JJJ008511150	
681	SX710185300	JOINT ELECTRODE D'ALLUI	1	JJD710185300	1,48 €
683	SX5408810	JOINT GAZ/CHAMB ETANCH	1	Nous consulter...	
708	SX5410970	JOINT D:60 (5410970)	1	JJD005410970	
709	SX8423160	DOMINOS PORTE FUSIBLE(1	JJJ008423160	
710	SX5411030	JOINT D:80 (5411030)	1	JJJ005411030	
711	7222470	JOINT SIPHON COMPACT	1	6,12 €	
746	SX5410900	JOINT VENTILATEUR (5410	1	JJJ005410900	
758	SX710088400	SILENCIEUX BOITE A AIR	1	710088400	14,50 €
763	SX710046700	CLIP D12 SONDE PRESSIOI	1	JJD710046700	
764	SX710047500	U-CLIP DE FISSAGE D.3	1	1,69 €	
765	SX710045700	O-RING 9,19X2,62	1	JJD710045700	
766	SX710106700	RESSORT PLAT D.10	1	710106700	
767	SX710046900	VIS ECHANGEUR 11300169	1	JJD710046900	
780	SX710633100	TRAVERSE SUPERIEURE B.	1	710633100	
781	SX710011400	CLIP FIXATION FLEXIBLE G.	1	JJD710011400	1,25 €
783	SX710039500	JOINT GROUPE HYDRAULIC	1	710039500	
785	SX710061400	O-RING 18x3 EPDM	1	JJD710061400	1,25 €
788	SX710176000	JOINT CHAMBRE DE COMB	1	710176000	
790	SX710117900	BORNIER M2	1	2,74 €	
799	SX710654100	RESSORT FIX.D.9MM	1	710654100	
801	SX710048700	CLIP FIX PRESSOSTAT	1	JJD710048700	
804	SX710827700	GROUPE HYDRAUL. COMPI	1	710827700	
999	SX8414540	CABLE M1/TA (84	1	JJD008414540	1,25 €

999	SX8414620	CABLE M1 ALIM ELEC	1	JJD008414620	4,26 €
999	SX710062700	CABLE X21/M2-SONDE BAL	1	710062700	
999	SX710062800	CABLE X42/M2-SONDE QAA	1	710062800	3,72 €
999	SX710071700	CABLE RALLONGE CTN FUI	1	710071700	
999	SX710079700	CABLE X20/M2 SONDAS AU	1	710079700	1,86 €
999	SX710674700	CAB.COMPOSANTES BASS	1	710674700	
999	SX710968100	CABLE X10/M1-ALIM	1	710968100	
999	SX710968200	CABLE X14/VG-ALLUMEUR	1	710968200	
999	SX710968300	CABLE X12/M1-TA	1	710968300	
999	721317000	CABLE V3V	1		6,99 €
999	7218355	CABLAGE PWM EXTRACT./I	1		11,00 €
999	7669306	CABL. EXTRAC./POMPE WI.	1		22,90 €
999	7669308	CABL. EXTRAC./POMPE GR	1		15,30 €

BARRETTE INITIA PLUS COMPACT HTE

A PARTIR DE JUIN 2012

N°	710375203
----	-----------



1

BARRETTE INITIA PLUS HTE COMPACT - 7103752_Vue



INITIA + HTE (2015 -> ...)
INITIA+ COMPACT HTE 2.33

Réf.	Référence	Description	Qté	Tarif	Substitut	Tarif Sub.	Remarques
0	722503200	TUBE D'EVACUATION DES C	1	11,80 €			
0	7840000	TUBE GAZ LUNA4 450 -FR-N	1	23,50 €			
10	SX710788700	ROBINET DEPART CHAUFF.	1		710788700		
20	SX710788800	COUDE DEPART ECS	1		710788800		
30	SX5112530	RESSORT FIXATION DISCO	1		JJD005112530	1,25 €	
40	SX710467500	COLLECTEUR DE VIDANGE	1		7647520		
50	SX710788900	ROBINET DE GAZ	1		7780763		
60	SX5209540	ECROU G1/2	1		JJJ005209540		
70	SX710633100	TRAVERSE SUPERIEURE B.	1		710633100		
80	SX5404970	JOINT 3/8" (x10) (PDM5404	1		JJJ005404970		
90	SX5402050	JOINT 6,1x11,5x1,5 (X3)	1		JJJ005402050	3,10 €	
100	SX710826000	ROBINET EF	1		710826000		
110	SX710826100	ROBINET RET.CHAUFFAGE	1		710826100		
120	SX710796100	DISCONNECTEUR	1		710796100		
130	SX710808200	TUBE DISCONNECTEUR	1		710808200		
140	SX9950320	CONTRE ECROU G 3/4 (€	1		JJJ009950320		
150	SX710792300	TUBE GAZ	1		710792300		
160	SX710777000	DOUILLE COUDE EF/ECS	1		710777000		
170	SX5657630	TUBE D:18 (5657630)	1		JJJ005657630		
180	SX5632850	POCHETTE DE JOINT	1		JJJ005632850		
190	SX0617430	TUBE SORTIE SIPHON	1		JJJ000617430		