

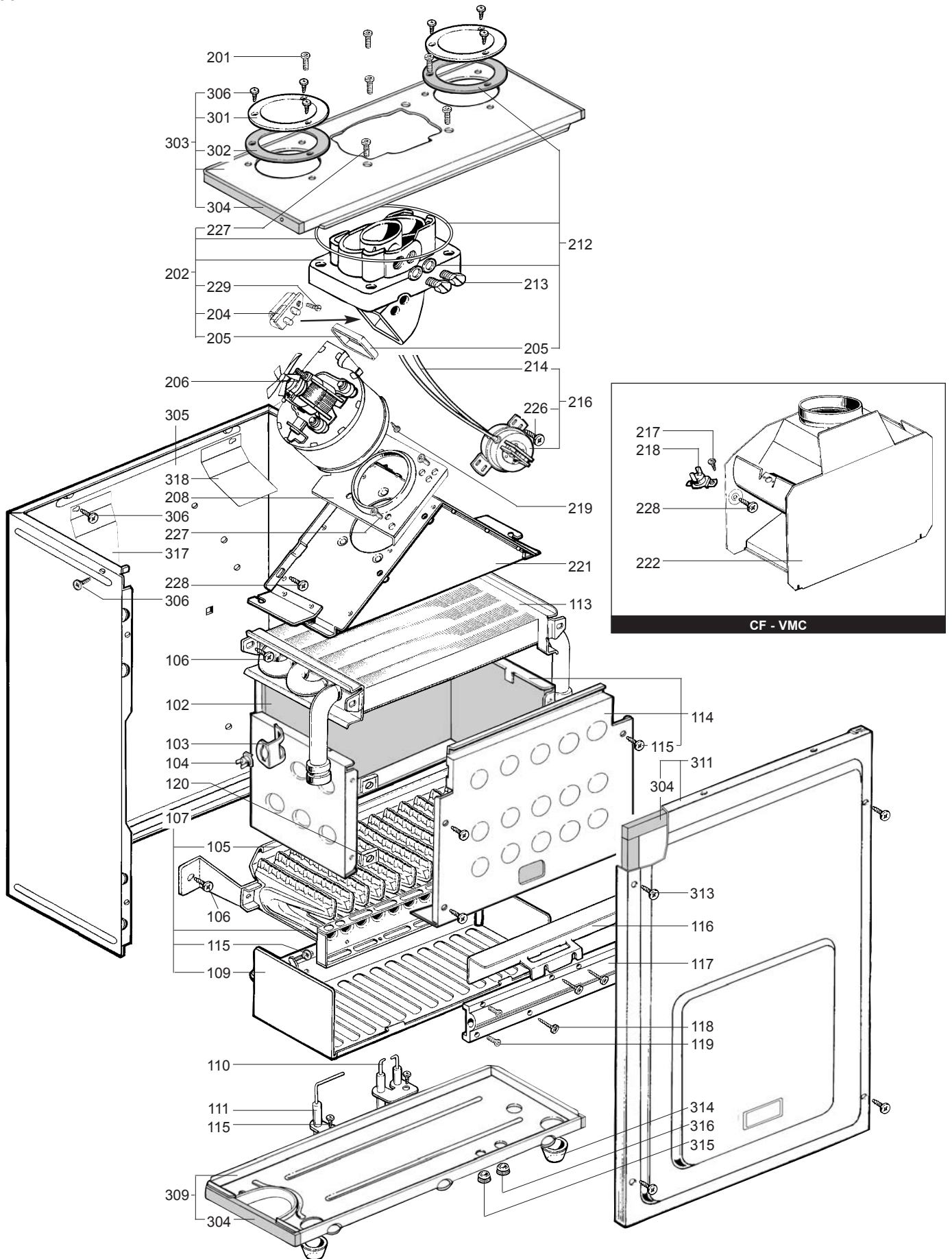
# SPARE PARTS EXPLODED VIEW GAS WALL BOILERS

Model

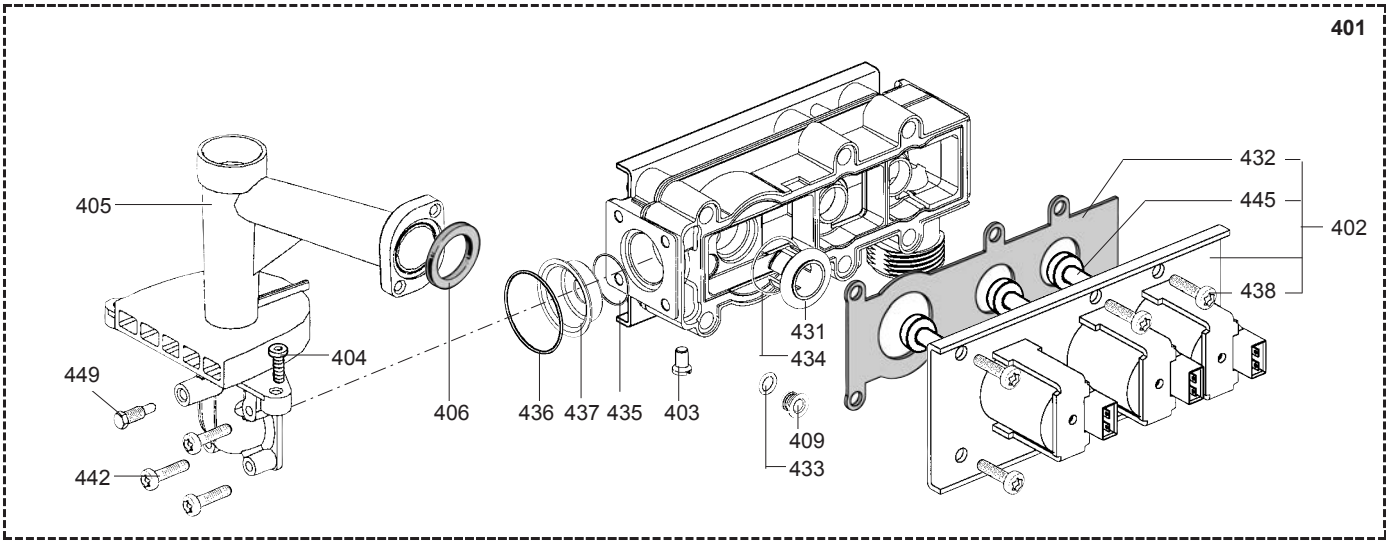
## **CALYDRA-HYXIA**

R8202222-06 - 21/03/2012

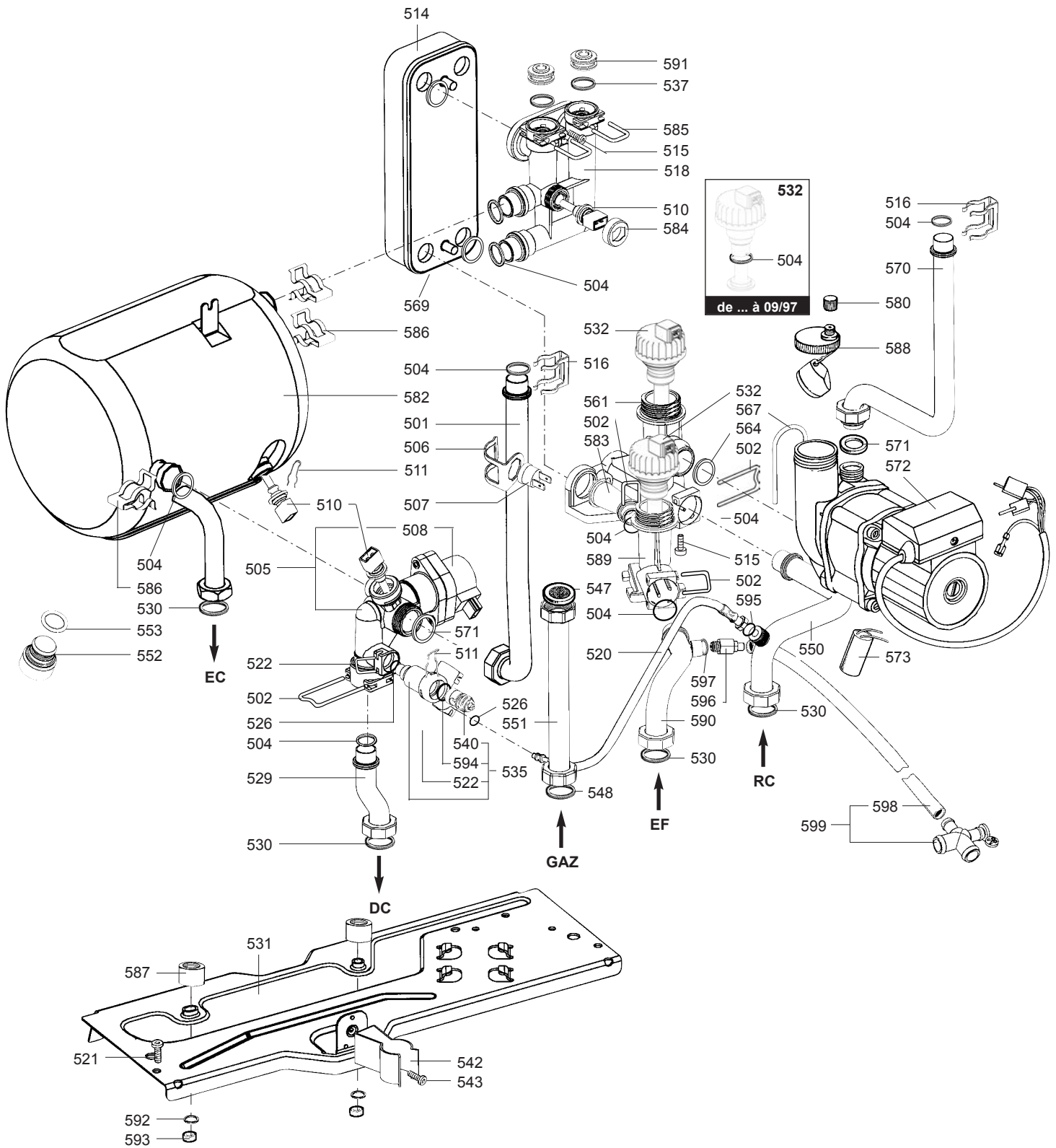
1	225 231	CALYDRA 23 CF NAT	09/97	01/02
1	225 221	CALYDRA 23 CF B/P	11/97	06/01
2	225 236	CALYDRA 23 VMC NAT	10/97	02/02
2	225 226	CALYDRA 23 VMC B/P	...	...
3	225 237	CALYDRA 23 FF NAT	09/97	12/01
3	225 227	CALYDRA 23 FF B/P	11/97	10/01
4	229 231	HYXIA 23 CF NAT	10/99	04/02
4	229 221	HYXIA 23 CF B/P	02/02	03/02
5	229 236	HYXIA 23 VMC NAT	10/99	06/02
5	229 226	HYXIA 23 VMC B/P	...	...
6	229 237	HYXIA 23 FF NAT	10/99	10/02
6	229 227	HYXIA 23 FF B/P	11/98	09/01
7	226 731	CALYDRA 28 CF NAT	10/97	10/01
7	226 721	CALYDRA 28 CF B/P	11/97	10/01
8	226 737	CALYDRA 28 FF NAT	11/97	10/01
8	226 727	CALYDRA 28 FF B/P	11/97	06/01
9	229 331	HYXIA 28 CF NAT	02/01	09/01
9	229 321	HYXIA 28 CF B/P	10/99	09/01
10	229 337	HYXIA 28 FF NAT	10/99	05/02
10	229 327	HYXIA 28 FF B/P	...	...
Col	Reference	Model type	Begin	End



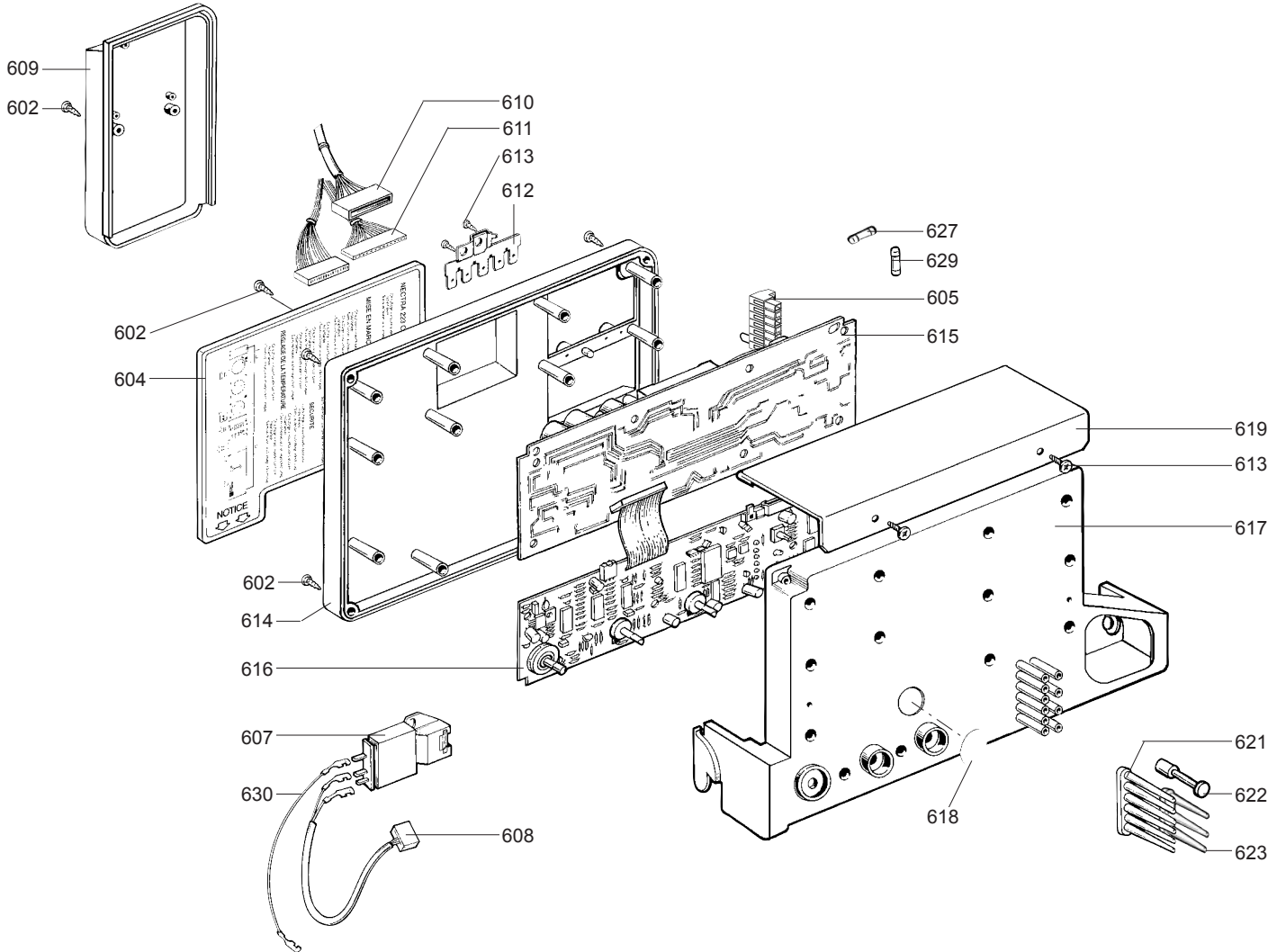
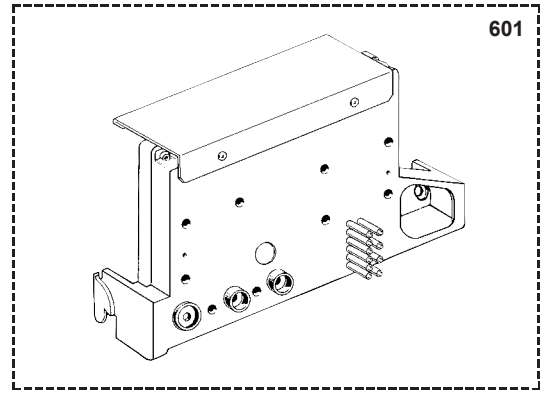




☉⇒	Description	Manf. Pt. N	Type																		
				1	2	3	4	5	6	7	8	9	10	11	12	13	14	15	16	17	18
<b>0400</b>	<b>GAS SECTION</b>																				
0401	GAS SECTION LPG ASSY	61015197	B/P	•	•		•	•													
	GAS VALVE LPG	61015198	B/P		•			•													
	GAS SECTION LPG ASSY	61015340	B/P							•		•									
	GAS VALVE LPG	61015342	B/P								•			•							
	GAS SECTION NAT ASSY	61014422	NAT	•	•		•	•													
	GAS VALVE NAT	61015196	NAT			•			•												
	GAS SECTION NAT ASSY	61015339	NAT							•		•									
	GAS VALVE NAT	61015341	NAT								•				•						
0402	SOLENOID VALVES KIT	60081836		•	•	•	•	•	•	•	•	•	•	•	•	•	•	•	•		
0403	PRESSURE TEST POINT SCREW	60019445		•	•	•	•	•	•	•	•	•	•	•	•	•	•	•	•		
0405	BURNER BASE KIT	60081835		•	•	•	•	•	•	•	•	•	•	•	•	•	•	•	•		
0406	GASKET (/Manifold)	61010071		•	•	•	•	•	•	•	•	•	•	•	•	•	•	•	•		
0409	VALVE D: 1.55	61014420-06	B/P	•	•		•	•													
	VALVE D: 1.65	61014420-07	B/P							•		•									
	VALVE D: 1.75	61014420-08	B/P			•			•												
	VALVE D: 2.00	61014420-09	B/P								•			•							
	VALVE D: 2.40	61014420-01	NAT							•		•									
	VALVE D: 2.30	61014420-03	NAT	•	•		•	•													
	VALVE D: 2.60	61014420-04	NAT			•			•												
	VALVE D: 2.90	61014420-05	NAT								•				•						
0412	GAS SECTION GASKETS KIT	60081837		•	•	•	•	•	•	•	•	•	•	•	•	•	•	•	•		
0431	RESTRICTOR	61013017		•	•	•	•	•	•	•	•	•	•	•	•	•	•	•	•		
0432	GASKET (/Solenoid valve)	61013018		•	•	•	•	•	•	•	•	•	•	•	•	•	•	•	•		
0433	O-RING D: 6-1	60021061-36		•	•	•	•	•	•	•	•	•	•	•	•	•	•	•	•		
0434	O-RING D: 14.1-1.6	60021061-41		•	•	•	•	•	•	•	•	•	•	•	•	•	•	•	•		
0435	O-RING D: 17.1-1.6	60021061-42		•	•	•	•	•	•	•	•	•	•	•	•	•	•	•	•		
0436	O-RING D: 22-2.6	60021061-40		•	•	•	•	•	•	•	•	•	•	•	•	•	•	•	•		
0437	RESTRICTOR D: 6.7	61013016-01	B/P							•	•	•	•								
	RESTRICTOR D: 4.9	61013016-02	B/P	•	•	•	•	•	•												
	RESTRICTOR D: 6.7	61013016-01	NAT	•	•	•	•	•	•												
0438	SCREW CLXS M 5-45	61014414		•	•	•	•	•	•	•	•	•	•	•	•	•	•	•	•		
0442	SCREW CBLXS M 4-20	61014415		•	•	•	•	•	•	•	•	•	•	•	•	•	•	•	•		
0445	SOLENOID PISTONS KIT	60081368		•	•	•	•	•	•	•	•	•	•	•	•	•	•	•	•		
0449	PRESSURE TEST POINT SCREW	61016378		•	•	•	•	•	•	•	•	•	•	•	•	•	•	•	•		

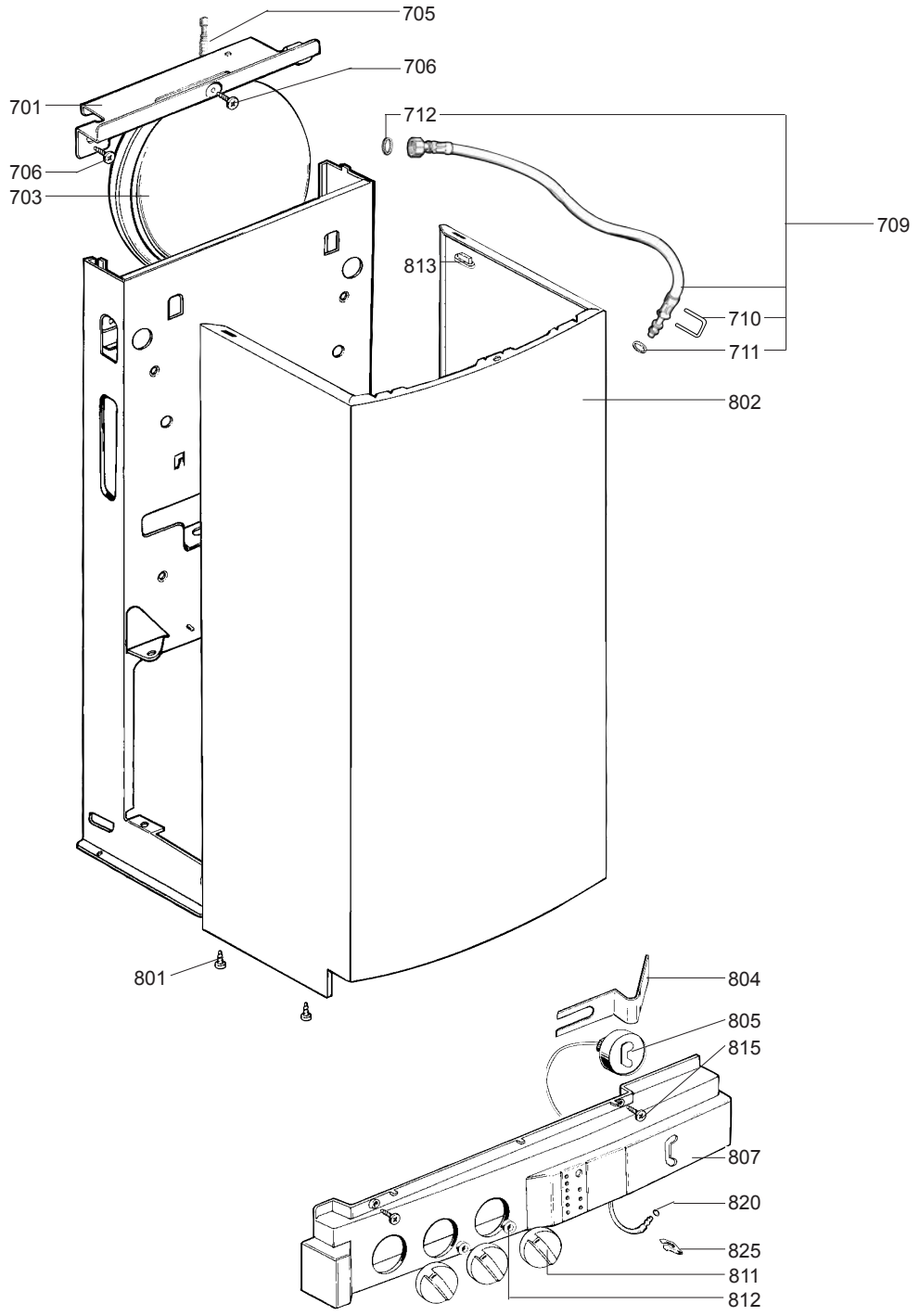


☉	Description	Manf. Pt. N	Type	<div style="display: flex; justify-content: space-between; align-items: center;"> <div style="transform: rotate(-45deg); font-size: small;"> CALYDRA-28 CF  CALYDRA-28 VMC  CALYDRA-28 FF  HYXIA 23 CF  HYXIA 23 VMC  HYXIA 23 FF  CALYDRA-28 CF  CALYDRA-28 FF  HYXIA 28 CF  HYXIA 28 FF </div> <div style="border: 1px solid black; padding: 2px;">31</div> </div>																	
				1	2	3	4	5	6	7	8	9	10	11	12	13	14	15	16	17	18
<b>0500</b>	<b>HYDRAULIC BLOCK</b>																				
0501	TUBE-EXCHAN TO THREE-WAY VALVE	61014221		●	●	●	●	●	●	●	●	●									
0502	HEATING CONNECTION PIN	61002399		●	●	●	●	●	●	●	●	●									
0504	O-RING D: 17-4	60024164-51		●	●	●	●	●	●	●	●	●									
0505	THREE-WAY VALVE	60081839		●	●	●	●	●	●	●	●	●									
0506	CLIP	61010050		●	●	●	●	●	●	●	●	●									
0507	OVERHEAT THERMOSTAT 105C	61010191		●	●																
	OVERHEAT THERMOSTAT 100C	61010572			●																
0508	MOTOR - THREE-WAY VALVE	60081953		●	●	●	●	●	●	●	●	●									
0510	THERMISTOR TEMP. SENSOR	61000733		●	●	●	●	●	●	●	●	●									
0511	TEMPERATURE SENSOR CLIP	61002083		●	●	●	●	●	●	●	●	●									
0514	WATER / WATER HEAT EXCHANGER 16	61302409-01		●	●	●	●	●	●	●	●	●									
0515	SCREW HX M 5-12	61010131		●	●	●	●	●	●	●	●	●									
0516	CLIP	61010609		●	●	●	●	●	●	●	●	●									
0518	TOP INTERFACE SYSTEM	61014228		●	●	●	●	●	●	●	●	●									
0520	FLEXIBLE PIPE	61012952		●	●	●	●	●	●	●	●	●									
0521	TAPPING SCREW CBLX D: 6.3-13	61010648		●	●	●	●	●	●	●	●	●									
0522	CLIP	61010005		●	●	●	●	●	●	●	●	●									
0526	O-RING D: 8.9-2.7	61009834-14		●	●	●	●	●	●	●	●	●									
0529	HEATING FLOW TUBE	61014220		●	●	●	●	●	●	●	●	●									
0530	SHEET GASKET D: 24-17-1.5	60061855-19		●	●	●	●	●	●	●	●	●									
0531	HYDRAULIC PLATE	61014214		●	●	●	●	●	●	●	●	●									
0532	WATER THROTTLE	60081471		●	●	●	●	●	●	●	●	●									
0535	TAP BODY	61012963		●	●	●	●	●	●	●	●	●									
0537	O-RING D: 13.6-2.7	60024164-18		●	●	●	●	●	●	●	●	●									
0540	SPINDLE	61012946		●	●	●	●	●	●	●	●	●									
0542	CLIP	60079845		●	●	●	●	●	●	●	●	●									
0543	TAPPING SCREW CBLX D: 4.2-9.5	61010125		●	●	●	●	●	●	●	●	●									
0547	GAS FILTER	60037309		●	●	●	●	●	●	●	●	●									
0548	SHEET GASKET D: 24-18.2-1.5	60022835-01		●	●	●	●	●	●	●	●	●									
0550	HEATING RETURN TUBE	61014218		●	●	●	●	●	●	●	●	●									
0551	GAS TUBE	61010040		●	●	●	●	●	●	●	●	●									
0552	PLUG	61015245		●	●	●	●	●	●	●	●	●									
0553	O-RING D: 8.9-1.9	60024164-13		●	●	●	●	●	●	●	●	●									
0561	BOTTOM INTERFACE SYSTEM	61014172		●	●	●	●	●	●	●	●	●									
0564	O-RING D: 24.6-3.6	61009834-30		●	●	●	●	●	●	●	●	●									
0565	HEATING FILTER	61305560		●	●	●	●	●	●	●	●	●									
0567	CLIP	60030898-03		●	●	●	●	●	●	●	●	●									
0569	EXCHANGER GASKET	65104334		●	●	●	●	●	●	●	●	●									
0570	TUBE : PUMP TO HEAT EXCHANGER	61015360		●	●	●	●	●	●	●	●	●									
0571	O-RING D: 16-1.9	61009833-37		●	●	●	●	●	●	●	●	●									
0572	PUMP + AIR SEPARATOR 15/50	61301964		●	●	●	●	●	●	●	●	●									
	PUMP + AIR SEPARATOR 15/60	61303461		●	●	●	●	●	●	●	●	●									
0573	CAPACITOR	60081841		●	●	●	●	●	●	●	●	●									
0580	PLUG	60081843		●	●	●	●	●	●	●	●	●									
0582	CYLINDER 6L	61012790		●	●	●	●	●	●	●	●	●									
0583	LINKING TUBE	61012808		●	●	●	●	●	●	●	●	●									
0584	NUT	61012886		●	●	●	●	●	●	●	●	●									
0585	PIN	61012909-02		●	●	●	●	●	●	●	●	●									
0586	CLIP	61012983		●	●	●	●	●	●	●	●	●									
0587	WASHER D: 12.5-5.2-5	61015757		●	●	●	●	●	●	●	●	●									
0588	AIR SEPARATOR HEAD ASSEMBLY	60081842		●	●	●	●	●	●	●	●	●									
0589	STOPPED WATER THROTTLE BODY	61012743		●	●	●	●	●	●	●	●	●									
0590	COLD WATER TUBE	61014983		●	●	●	●	●	●	●	●	●						08/04			
	COLD WATER TUBE	61315414		●	●	●	●	●	●	●	●	●						09/04			
0591	PLUG	61002490		●	●	●	●	●	●	●	●	●									
0592	WASHER D: 12-6.2-1.2	60007059-03		●	●	●	●	●	●	●	●	●									
0593	NUT H M 6-1	60026501-03		●	●	●	●	●	●	●	●	●									
0594	O-RING D: 2.7-10.5	61009834-15		●	●	●	●	●	●	●	●	●									
0595	SHEET GASKET D: 10.5-6.2-1.5	60022831-07		●	●	●	●	●	●	●	●	●									
0596	PRESSURE RELIEF VALVE DRAIN	61014984		●	●	●	●	●	●	●	●	●									
0597	SHEET GASKET D: 13.9-10.4-1.5	60061853-02		●	●	●	●	●	●	●	●	●									
0598	TUBE PVC D: 9x12 L: 1M	60081266		●	●	●	●	●	●	●	●	●									
0599	CONNECTION	61020242		●	●	●	●	●	●	●	●	●									

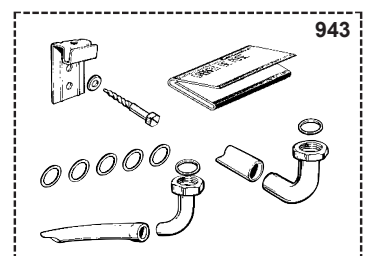
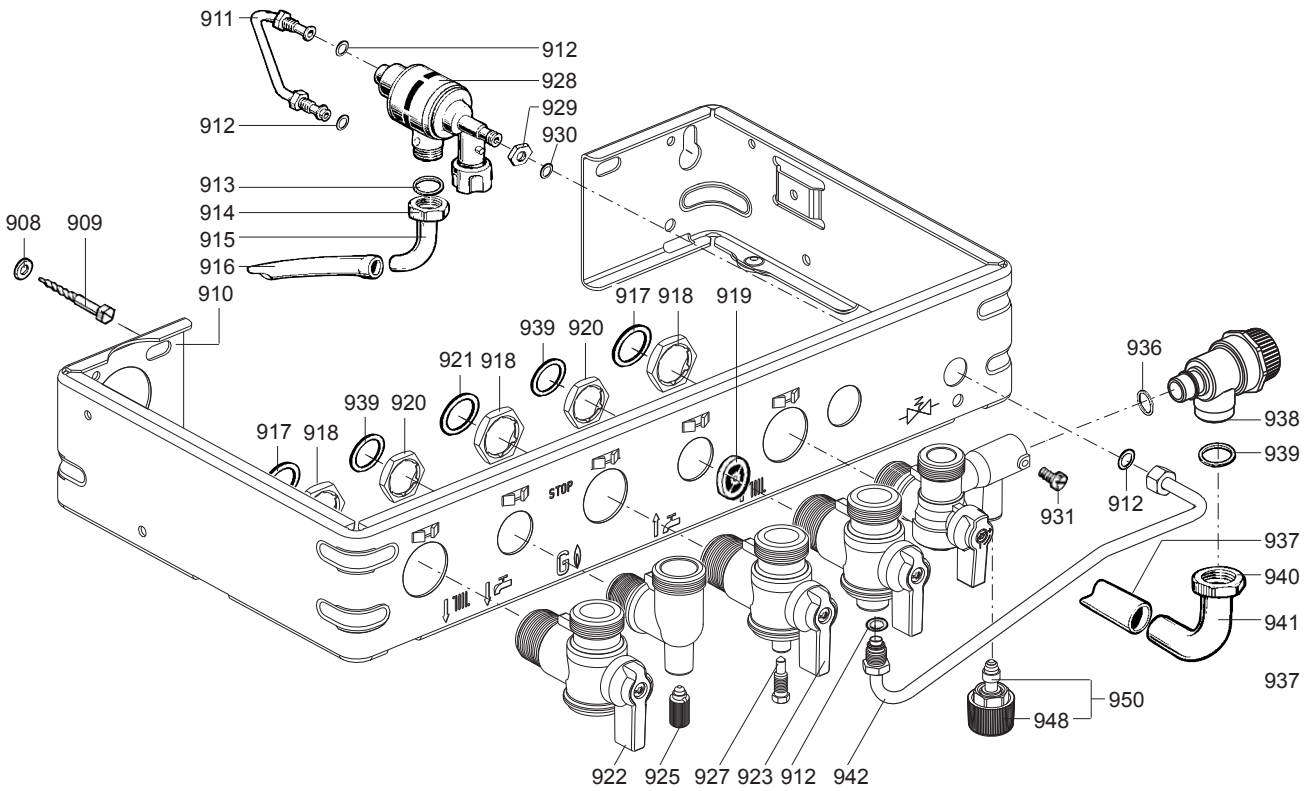
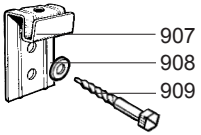
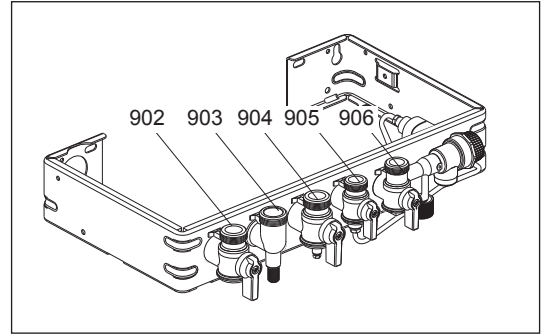




☉	Description	Manf. Pt. N	Type	<div style="display: flex; justify-content: space-between; font-size: small;"> <span>CALYDRA-28 CF</span> <span>CALYDRA-28 VMC</span> <span>CALYDRA-28 FF</span> <span>HYXIA 23 CF</span> <span>HYXIA 23 VMC</span> <span>HYXIA 23 FF</span> <span>CALYDRA-28 CF</span> <span>CALYDRA-28 FF</span> <span>HYXIA 28 CF</span> <span>HYXIA 28 FF</span> </div>																	
				1	2	3	4	5	6	7	8	9	10	11	12	13	14	15	16	17	18
0600	<b>ELECTRICAL BOX</b>																				
0601	ELECTRICAL BOX	61017088		•	•	•	•	•	•	•	•	•	•	•	•	•	•	•			
0602	SCREW FX90 L:16	61020510		•	•	•	•	•	•	•	•	•	•	•	•	•	•	•			
0604	INSTRUCTIONS HOLDER	61015338		•	•	•															
	INSTRUCTIONS HOLDER	61017452					•	•	•					•	•						
0605	CONNECTOR	61010349		•	•	•	•	•	•	•	•	•	•	•	•	•	•	•			
0607	IGNITER	61002105-20		•	•	•	•	•	•	•	•	•	•	•	•	•	•	•			
0608	IGNITOR CABLE	61010151		•	•	•	•	•	•	•	•	•	•	•	•	•	•	•			
0609	CONNECTOR COVER	61010014		•	•	•	•	•	•	•	•	•	•	•	•	•	•	•			
0610	FAN CABLE	61010332				•			•		•			•				•			
0611	WIRE ASSEMBLY	61014225		•			•			•			•					•			
	WIRE ASSEMBLY	61014226				•			•				•					•			
	WIRE ASSEMBLY	61014754			•			•			•			•				•			
0612	CONNECTION STRIP	61010152		•	•	•	•	•	•	•	•	•	•	•	•	•	•	•			
0613	TAPPING SCREW TCBL D:4 L:10	61020509		•	•	•	•	•	•	•	•	•	•	•	•	•	•	•			
0614	ELECTRICAL BOX COVER	61010007		•	•	•	•	•	•	•	•	•	•	•	•	•	•	•			
0615	PRINTED CIRCUIT BOARD OF POWER	61010592		•	•	•	•	•	•	•	•	•	•	•	•	•	•	•			
0616	PRINTED CIRCUIT BOARD OF REGU.	61012756		•	•	•	•	•	•	•	•	•	•	•	•	•	•	•			
0617	ELECTRIC BOX PLATE	61010006		•	•	•	•	•	•	•	•	•	•	•	•	•	•	•			
0618	PLUG	61011316		•	•	•	•	•	•	•	•	•	•	•	•	•	•	•			
0619	PROTECTIVE PLATE	61010239		•	•		•	•		•			•					•			
0621	TRANSMITTER OF LEDS - TEMPERA.	61010010		•	•	•	•	•	•	•	•	•	•	•	•	•	•	•			
0622	IGNITION PUSH ROD	61010072		•	•	•	•	•	•	•	•	•	•	•	•	•	•	•			
0623	TRANSMITTER OF LEDS - ON/OFF	61010011		•	•	•	•	•	•	•	•	•	•	•	•	•	•	•			
0627	FUSE 250V 2A - TEMPORIZED	61003456		•	•	•	•	•	•	•	•	•	•	•	•	•	•	•			
0629	FUSE 250V 1.25A - TEMPORIZED	61003635		•	•	•	•	•	•	•	•	•	•	•	•	•	•	•			
0630	EARTH WIRE	61011585		•	•	•	•	•	•	•	•	•	•	•	•	•	•	•			

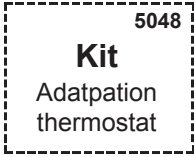
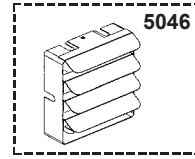
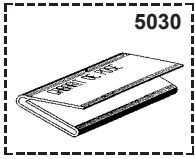
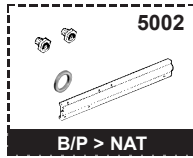


☉	Description	Manf. Pt. N	Type	<div style="display: flex; justify-content: space-between; font-size: small;"> <span>CALYDRA-28 CF</span> <span>CALYDRA-28 VMC</span> <span>CALYDRA-28 FF</span> <span>HYXIA 23 CF</span> <span>HYXIA 23 VMC</span> <span>HYXIA 23 FF</span> <span>CALYDRA-28 CF</span> <span>CALYDRA-28 FF</span> <span>HYXIA 28 CF</span> <span>HYXIA 28 FF</span> </div>																		31
				1	2	3	4	5	6	7	8	9	10	11	12	13	14	15	16	17	18	
<b>0700</b>	<b>CHASSIS</b>																					
0701	TOP STAY PLATE	61010029		•	•	•	•	•	•	•	•	•	•									
0703	EXPANSION VESSEL	60056676-06		•	•	•	•	•	•	•	•	•	•									
0705	EXPANSION VESSEL AIR HOSE	61010170		•	•	•	•	•	•	•	•	•	•									
0706	TAPPING SCREW CBLX D: 6.3-19	61014516		•	•	•	•	•	•	•	•	•	•									
0709	FLEXIBLE PIPE KIT	60081824		•	•	•	•	•	•	•	•	•	•									
0710	CLIP	61010005		•	•	•	•	•	•	•	•	•	•									
0711	O-RING D: 8.9-2.7	61009834-14		•	•	•	•	•	•	•	•	•	•									
0712	SHEET GASKET D: 12-6-2	61308868		•	•	•	•	•	•	•	•	•	•									
<b>0800</b>	<b>FRONT CASE</b>																					
0801	TAPPING SCREW CBLX D: 4.2-9.5	61010125		•	•	•	•	•	•	•	•	•	•									
0802	CASE	61010016		•	•	•	•	•	•	•	•	•	•									
0804	SUPPORT BRACKET	61010095		•	•	•	•	•	•	•	•	•	•									
0805	PRESSURE GAUGE	61010048		•	•	•				•	•											
	PRESSURE GAUGE	61010256					•	•	•				•	•								
0807	SERIGRA. STRIP (WITHOUT PROG.)	61017390					•	•	•				•	•								
	SERIGRA. STRIP (WITHOUT PROG.)	61018709		•	•	•				•	•											
0811	WHITE KNOB	61010254					•	•	•				•	•								
	WHITE KNOB	61015756		•	•	•				•	•											
0812	CENTRING PIECE	61010241		•	•	•	•	•	•	•	•	•	•									
0813	SPACER	61010053		•	•	•	•	•	•	•	•	•	•							01/98		
	SPACER	61015797		•	•	•	•	•	•	•	•	•	•							02/98		
0815	SCREW FX90 D: 3.5-16	61010133		•	•	•	•	•	•	•	•	•	•									
0820	O RING D: 5.7-1.9	61009834-10		•	•	•	•	•	•	•	•	•	•									
0825	CLIP	61002406		•	•	•	•	•	•	•	•	•	•									

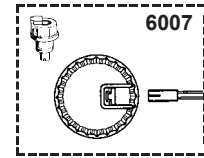
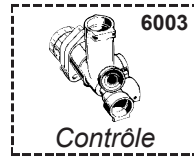
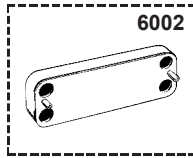
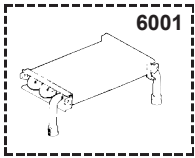


☉⇒	Description	Manf. Pt. N	Type	<div style="display: flex; justify-content: space-between; font-size: small;"> <span>CALYDRA-28 CF</span> <span>CALYDRA-28 VMC</span> <span>CALYDRA-28 FF</span> <span>HYXIA 23 CF</span> <span>HYXIA 23 VMC</span> <span>HYXIA 23 FF</span> <span>CALYDRA-28 CF</span> <span>CALYDRA-28 FF</span> <span>HYXIA 28 CF</span> <span>HYXIA 28 FF</span> </div>																		31
				1	2	3	4	5	6	7	8	9	10	11	12	13	14	15	16	17	18	
0900	<b>JIG PLATE &amp; PIPE FITTING</b>																					
0902	WATER FLOW SERVICE TAP	61020388		●	●	●	●	●	●	●	●	●	●	●	●	●	●	●	●			
0903	HOT WATER CONNECTION	61020916		●	●	●	●	●	●	●	●	●	●	●	●	●	●	●	●			
0904	GAS SERVICE TAP	61020389	NAT-B/P	●	●	●	●	●	●	●	●	●	●	●	●	●	●	●	●			
0905	COLD WATER TAP	61302612		●	●	●	●	●	●	●	●	●	●	●	●	●	●	●	●			
0906	WATER RETURN SERVICE TAP	61302614		●	●	●	●	●	●	●	●	●	●	●	●	●	●	●	●			
0907	WALL HOOK	61002497		●	●	●	●	●	●	●	●	●	●	●	●	●	●	●	●			
0908	WASHER D: 14.2-7.2-1.2	60005369-03		●	●	●	●	●	●	●	●	●	●	●	●	●	●	●	●			
0909	WOOD SCREW	60025617-03		●	●	●	●	●	●	●	●	●	●	●	●	●	●	●	●			
0911	DISCONNECTOR TUBE	61010065		●	●	●	●	●	●	●	●	●	●	●	●	●	●	●	●			
0912	O-RING D: 6-1	60024164-41		●	●	●	●	●	●	●	●	●	●	●	●	●	●	●	●			
0913	SHEET GASKET D: 14.8-10.3-1.5	60061854-11		●	●	●	●	●	●	●	●	●	●	●	●	●	●	●	●			
0914	NUT 3/8» THICK: 11	60020746-20		●	●	●	●	●	●	●	●	●	●	●	●	●	●	●	●			
0915	CONNECTING PIPE	60001574		●	●	●	●	●	●	●	●	●	●	●	●	●	●	●	●			
0916	TUBE PVC D: 9x12 L: 1M	60081266		●	●	●	●	●	●	●	●	●	●	●	●	●	●	●	●			
0917	SHEET GASKET D: 24-17-1.5	60061855-19		●	●	●	●	●	●	●	●	●	●	●	●	●	●	●	●			
0918	LOCK NUT	60031140		●	●	●	●	●	●	●	●	●	●	●	●	●	●	●	●			
0919	FLOW REGULATORE 7L/MIN(DARK GREEN)	61002775-07		●	●	●	●	●	●	●	●	●	●	●	●	●	●	●	●			
	FLOW REGULATORE 8L/MIN (WHITE)	61002775-08		●	●	●	●	●	●	●	●	●	●	●	●	●	●	●	●			
	FLOW REGULATORE 10L/MIN (BLUE)	61002775-10		●	●	●	●	●	●	●	●	●	●	●	●	●	●	●	●			
	FLOW REGULATORE 12L/MIN (RED)	61002775-12		●	●	●	●	●	●	●	●	●	●	●	●	●	●	●	●			
	FLOW REGULATORE 14L/MIN (PINK)	61002775-14		●	●	●	●	●	●	●	●	●	●	●	●	●	●	●	●			
	FLOW REGULATORE 15L/MIN (PALE GREEN)	61002775-15		●	●	●	●	●	●	●	●	●	●	●	●	●	●	●	●			
0920	CONTRODADO H 1/2	60031139		●	●	●	●	●	●	●	●	●	●	●	●	●	●	●	●			
0921	SHEET GASKET D: 24-18.2-1.5	60022835-01		●	●	●	●	●	●	●	●	●	●	●	●	●	●	●	●			
0922	HAND LEVER BLACK	61302611		●	●	●	●	●	●	●	●	●	●	●	●	●	●	●	●			
0923	HAND LEVER YELLOW	61302610		●	●	●	●	●	●	●	●	●	●	●	●	●	●	●	●			
0925	DRAIN SCREW ASSY	60081028		●	●	●	●	●	●	●	●	●	●	●	●	●	●	●	●			
0927	PRESSURE TEST POINT SCREW	60019445		●	●	●	●	●	●	●	●	●	●	●	●	●	●	●	●			
	PRESSURE TEST POINT SCREW	61016378		●	●	●	●	●	●	●	●	●	●	●	●	●	●	●	●			
0928	DISCONNECTOR KIT	60081664		●	●	●	●	●	●	●	●	●	●	●	●	●	●	●	●			
0929	NUT H M 10-1	60031825-08		●	●	●	●	●	●	●	●	●	●	●	●	●	●	●	●			
0930	SHEET GASKET D: 8.5-4.1-1.5	60061852-12		●	●	●	●	●	●	●	●	●	●	●	●	●	●	●	●			
0931	GRUB SCREW	60017908		●	●	●	●	●	●	●	●	●	●	●	●	●	●	●	●			
	GRUB SCREW	61304327		●	●	●	●	●	●	●	●	●	●	●	●	●	●	●	●			
0936	O-RING D: 13.6-2.7	61009834-18		●	●	●	●	●	●	●	●	●	●	●	●	●	●	●	●			
0937	TUBE PVC D: 13x17 L: 1M	60081266-02		●	●	●	●	●	●	●	●	●	●	●	●	●	●	●	●			
0938	PRESSURE RELIEF VALVE	61020933		●	●	●	●	●	●	●	●	●	●	●	●	●	●	●	●			
0939	WASHER D: 18.4-12.2-1.5	60061855-14		●	●	●	●	●	●	●	●	●	●	●	●	●	●	●	●			
0940	NUT 1/2» THICK: 10	60020747-68		●	●	●	●	●	●	●	●	●	●	●	●	●	●	●	●			
0941	VALVE CONNECTING PIPE	60047727		●	●	●	●	●	●	●	●	●	●	●	●	●	●	●	●			
0942	DISCONNECTOR TUBE	61010064		●	●	●	●	●	●	●	●	●	●	●	●	●	●	●	●			
	FILLER NECK	61020885		●	●	●	●	●	●	●	●	●	●	●	●	●	●	●	●			
0943	ACCESSORY KIT	61010324		●	●	●	●	●	●	●	●	●	●	●	●	●	●	●	●			
0948	GREY KNOB	61302613		●	●	●	●	●	●	●	●	●	●	●	●	●	●	●	●			
0950	TAP HEAD	61314798		●	●	●	●	●	●	●	●	●	●	●	●	●	●	●	●			

5000



6000



☉⇒	Description	Manf. Pt. N	Type	<div style="display: flex; justify-content: space-between; font-size: small;"> <span>CALYDRA 23 CF</span> <span>CALYDRA 23 VMC</span> <span>CALYDRA 23 FF</span> <span>HYXIA 23 CF</span> <span>HYXIA 23 VMC</span> <span>HYXIA 23 FF</span> <span>CALYDRA 28 CF</span> <span>CALYDRA 28 FF</span> <span>HYXIA 28 CF</span> <span>HYXIA 28 FF</span> </div>																		31
				1	2	3	4	5	6	7	8	9	10	11	12	13	14	15	16	17	18	
<b>5000</b>	<b>ACCESSORIES</b>																					
5001	CONVERSION KIT NAT > LPG	61015409		•	•		•	•														
	CONVERSION KIT NAT > LPG	61015410								•		•										
	CONVERSION KIT NAT > LPG	61015413				•			•													
	CONVERSION KIT NAT > LPG	61015414									•											
5002	CONVERSION KIT LPG > NAT	61015407		•	•		•	•														
	CONVERSION KIT LPG > NAT	61015408								•		•										
	CONVERSION KIT LPG > NAT	61015411				•			•													
	CONVERSION KIT LPG > NAT	61015412									•								•			
5030	JIG PLATE	61010073		•	•	•	•	•	•	•	•	•	•	•	•	•	•	•	•			
5041	ANTIFREEZE KIT	61011279				•			•		•		•		•				•			
	ANTIFREEZE KIT	61011278		•	•	•	•	•	•	•	•	•	•	•	•	•	•	•	•			
5042	INTERFACE SYSTEM - ROOM THERMO	61012505		•	•	•	•	•	•	•	•	•	•	•	•	•	•	•	•			
5043	KIT CALYDRA 23 > 18 CF LPG	61301692	B/P	•																		
	KIT CALYDRA 23 > 18 VMC LPG	61301693	B/P		•																	
	KIT HYXIA 23 > 18 CF LPG	61301694	B/P				•															
	KIT HYXIA 23 > 18 VMC LPG	61301695	B/P					•														
	KIT CALYDRA 23 > 18 VMC NAT	61015832	NAT		•																	
	KIT HYXIA 23 > 18 VMC NAT	61018910	NAT					•														
	KIT CALYDRA 23 > 18 CF NAT	61301690	NAT	•																		
	KIT HYXIA 23 > 18 CF NAT	61301691	NAT					•														
5046	DEFLECTOR 30DEG KIT	61014810				•			•		•		•		•				•			
5048	THERMOSTAT ADAPTATION KIT	61015000		•	•	•	•	•	•	•	•	•	•	•	•	•	•	•	•			
<b>6000</b>	<b>MAINTENANCE</b>																					
6001	DESCALING INTERFACE/HEAT EXCHA	61014100		•	•	•	•	•	•	•	•	•	•	•	•	•	•	•	•			
6002	DESCALING INTERFACE/WATER EXCH	61011075		•	•	•	•	•	•	•	•	•	•	•	•	•	•	•	•			
6003	SIMULATING BOX 3 WAY VALVE	61012597		•	•	•	•	•	•	•	•	•	•	•	•	•	•	•	•			
6005	TEST SUITCASE FOR P.C.B.	60081882		•	•	•	•	•	•	•	•	•	•	•	•	•	•	•	•			
	TEST SUITCASE-SECURITY SYSTEM	60081881		•	•	•	•	•	•	•	•	•	•	•	•	•	•	•	•			
6006	SPANNER	61302650		•				•														
6007	STOPPED W/THROT. CONNECTOR KIT	61306970		•			•															

## LIST OF THE ABBREVIATIONS

HW .....	: Hot water.
CW .....	: Cold water.
C .....	: Ceramic resistance (normal heating).
Ca .....	: Ceramic resistance (accelerated heating)
TP .....	: Immersion heater.
1F .....	: With fittings.
2F .....	: Without fittings.
3F .....	: With fittings and another outlet connection.
AMI .....	: With mixing valve.
SMI .....	: Without mixing valve.
PUISS .....	: Power of th appliance.
PN .....	: Appliance with normal pression.
LP .....	: Appliance with low pression.
PV .....	: Appliance with variable power.
PF .....	: Appliance with fixed power.

## IDENTIFICATION PLATE

### SERIAL NUMBER

<b>10 Characters :</b>	04 05 125 011	Sequential number Manufacturing day Year of manufacture
<b>11 Characters :</b>	1 95 065004 - 31	Technical number of the appliance Sequential number Year of manufacture
Month of manufacture : from 1 to 9 → Jan. to Sep., O → Oct., N → Nov., D → Dec.		
<b>19 Characters :</b>	08 05 0013199 900640031	Product reference Sequential number
Year of manufacture Month of manufacture		
<b>20 Characters :</b>	3675007 XX 2 07 070 00315	Sequential number Manufacturing day Year of manufacture
Product reference Millenium of manufacture		
<b>21 Characters :</b>	3675007 XX 07 070 0000315	Sequential number Manufacturing day
Product reference Year of manufacture		

The indications mentioned on the prices, commercial or technical literature and the scheme are written for your guidance and are available at a given time. The CONSTRUCTOR retains the power to modify the presentation, the form, the size, the conception or the material of the products.