

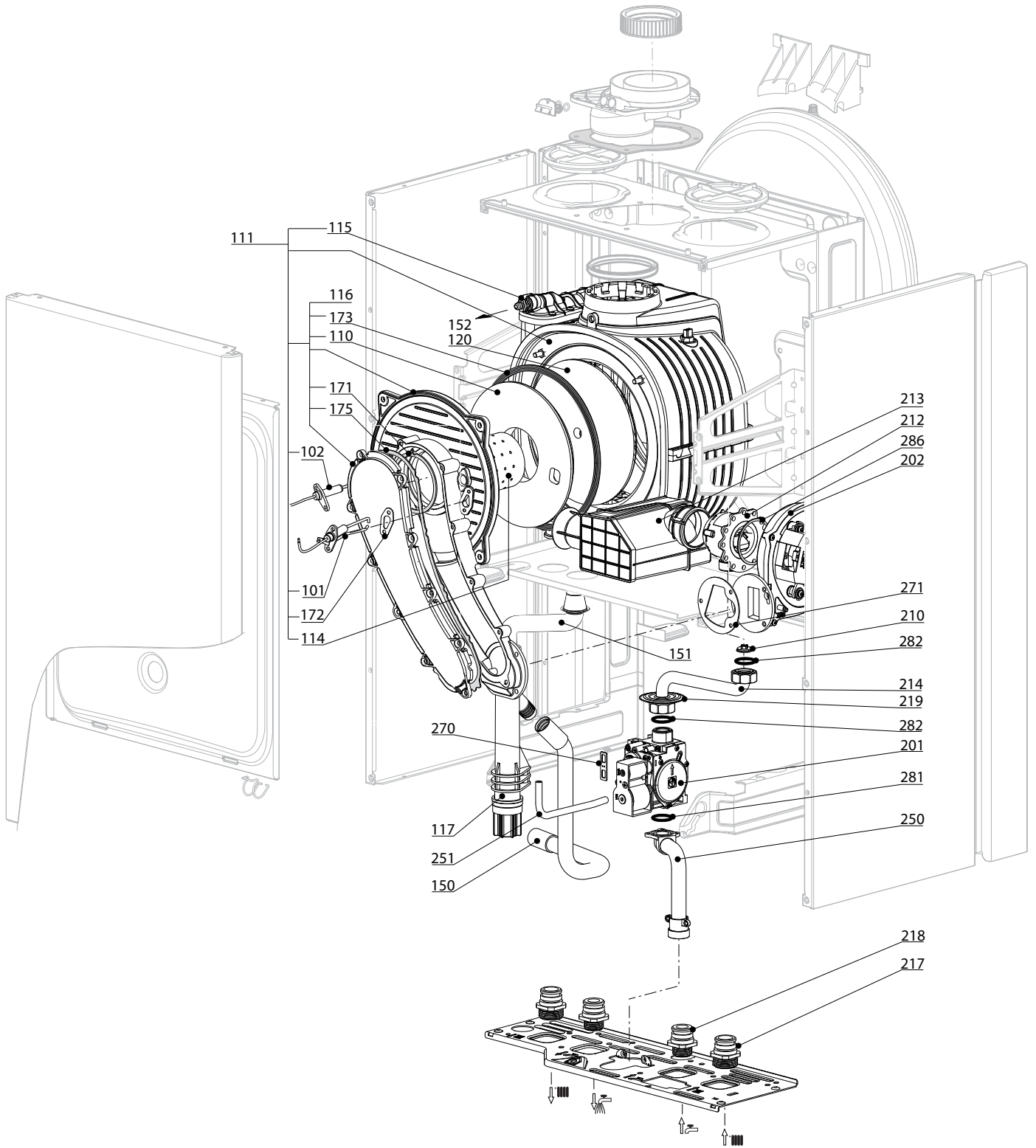
SPARE PARTS EXPLODED VIEW GAS-WALL CONDENSING BOILERS

Model

TALIA GREEN EVO

R8203347-02 - 15/10/2013

1	3310227	TALIA GREEN EVO 25 BE	09-2011	03-2012
2	3310229	TALIA GREEN EVO 30 BE	09-2011	03-2012
3	3310231	TALIA GREEN EVO 35 BE	09-2011	03-2012
4	3310242	TALIA GREEN EVO SYSTEM 12 FR BE	07-2012	-
5	3310244	TALIA GREEN EVO SYSTEM 18 FR BE	05-2012	-
6	3310245	TALIA GREEN EVO SYSTEM 25 FR BE	05-2012	-
7	3310247	TALIA GREEN EVO SYSTEM 30 BE	09-2011	03-2012
8	3310249	TALIA GREEN EVO SYSTEM 35 FR BE	05-2012	-
Col	Reference	Model type	Begin	End

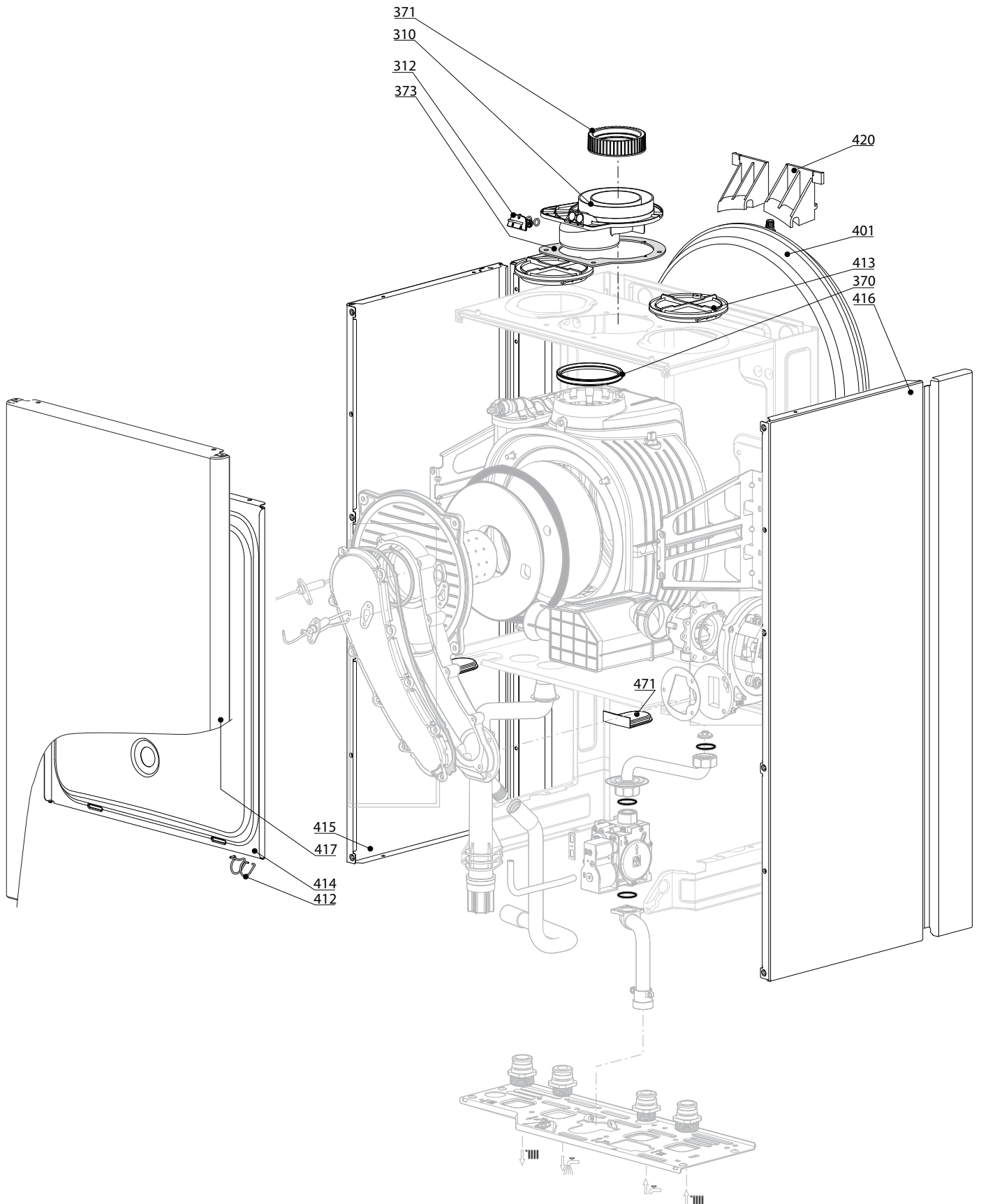


☰	Description	Manf. Pt. N	Type	TALIA GREEN EVO 25 TALIA GREEN EVO 30 TALIA GREEN EVO 35 TALIA GREEN EVO SYS. 12 TALIA GREEN EVO SYS. 18 TALIA GREEN EVO SYS. 25 TALIA GREEN EVO SYS. 30 TALIA GREEN EVO SYS. 35																	
				1	2	3	4	5	6	7	8	9	10	11	12	13	14	15	16	17	18
	0100 BURNER ASSEMBLY																				
	0101 IGNITION ELECTRODE	60000868-01		•	•	•	•	•	•	•	•	•	•	•	•	•	•	•	•		
	0102 IONIZATION ELECTRODE	60000867-01		•	•	•	•	•	•	•	•	•	•	•	•	•	•	•	•		
	0110 INSULATION (FRONT PANEL)	60000297		•	•	•	•	•	•	•	•	•	•	•	•	•	•	•	•		
	0111 EXCHANGER 18/24KW	65111608		•			•	•	•												
	EXCHANGER 30KW	65111606			•					•											
	EXCHANGER 35KW	65111607				•					•										
	0114 BURNER 18/24KW	60000288-01		•			•	•	•												
	BURNER 30KW	60001912			•					•											
	BURNER 35KW	60001913				•					•										
	0115 AIR SEPARATOR	60000994		•	•	•	•	•	•	•	•	•	•	•	•	•	•	•	•		
	0116 DOOR ASSY	65111604		•	•	•	•	•	•	•	•	•	•	•	•	•	•	•	•		
	0117 TRAP	60000987		•	•	•	•	•	•	•	•	•	•	•	•	•	•	•	•		
	0120 PANEL (INSULATION - REAR)	65105904		•	•	•	•	•	•	•	•	•	•	•	•	•	•	•	•		
	0150 TUBE PVC D:19 L:500	60000976		•	•	•	•	•	•	•	•	•	•	•	•	•	•	•	•		
	0151 OUTGOING CONDENSATION TUBE	60001929		•	•	•	•	•	•	•	•	•	•	•	•	•	•	•	•		
	0152 SILICONE TUBE D: 8x1 L: 0.15M	60001013		•	•	•	•	•	•	•	•	•	•	•	•	•	•	•	•		
	0171 GASKET D:80.6-1.8	60001610		•	•	•	•	•	•	•	•	•	•	•	•	•	•	•	•		
	0172 ELECTRODE GASKET	60000286-01		•	•	•	•	•	•	•	•	•	•	•	•	•	•	•	•		
	0173 DOOR GASKET	60000623		•	•	•	•	•	•	•	•	•	•	•	•	•	•	•	•		
	0175 GASKET	60001609		•	•	•	•	•	•	•	•	•	•	•	•	•	•	•	•		
	0200 GAS SECTION																				
	0201 GAS VALVE	60001612		•	•	•	•	•	•	•	•	•	•	•	•	•	•	•	•		
	0202 FAN ASSY	60001869		•	•	•	•	•	•	•	•	•	•	•	•	•	•	•	•		
	0210 GAS RESTRICTOR D: 3.80	60001920	NAT				•	•													
	GAS RESTRICTOR D: 6.40	60001923	NAT	•					•												
	GAS RESTRICTOR D: 6.90	60001924	NAT		•					•											
	GAS RESTRICTOR D: 7.50	60001925	NAT			•					•										
	0212 VENTURI D: 14MM	60001918					•	•													
	VENTURI D: 24MM	60001915		•					•												
	VENTURI D: 26 MM	60001916			•						•										
	VENTURI D: 28MM	60001917				•						•									
	0213 SILENCER	60001926		•	•	•				•	•	•	•	•	•	•	•	•	•		
	SILENCER	65111609								•	•										
	0214 GAS TUBE 24 KW	60001934		•						•											
	GAS TUBE 24 KW	60001937								•	•										
	GAS TUBE 30 KW	60001935			•							•									
	GAS TUBE 35 KW	60001936				•							•								
	0217 UNION (3/4)	65104326		•	•	•	•	•	•	•	•	•	•	•	•	•	•	•	•		
	0218 UNION (1/2)	65104327		•	•	•	•	•	•	•	•	•	•	•	•	•	•	•	•		
	0219 GROMMET	61010109		•	•	•	•	•	•	•	•	•	•	•	•	•	•	•	•		
	0250 GAS TUBE	60000720		•	•	•	•	•	•	•	•	•	•	•	•	•	•	•	•		
	0251 SILICONE PIPE	60001613		•	•	•	•	•	•	•	•	•	•	•	•	•	•	•	•		
	0270 GASKET (SPARK GENERATOR)	574279		•	•	•	•	•	•	•	•	•	•	•	•	•	•	•	•		
	0271 GASKET	60001931		•	•	•	•	•	•	•	•	•	•	•	•	•	•	•	•		
	0281 O-RING 22,22X2,62	65104304		•	•	•	•	•	•	•	•	•	•	•	•	•	•	•	•		
	0282 SHEET GASKET D: 24-18.2-1.5	60022835-01		•	•	•	•	•	•	•	•	•	•	•	•	•	•	•	•		
	0286 GASKET	60001878		•	•	•	•	•	•	•	•	•	•	•	•	•	•	•	•		

300
400

TALIA GREEN EVO

Gas-wall condensing boilers

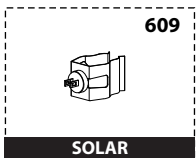
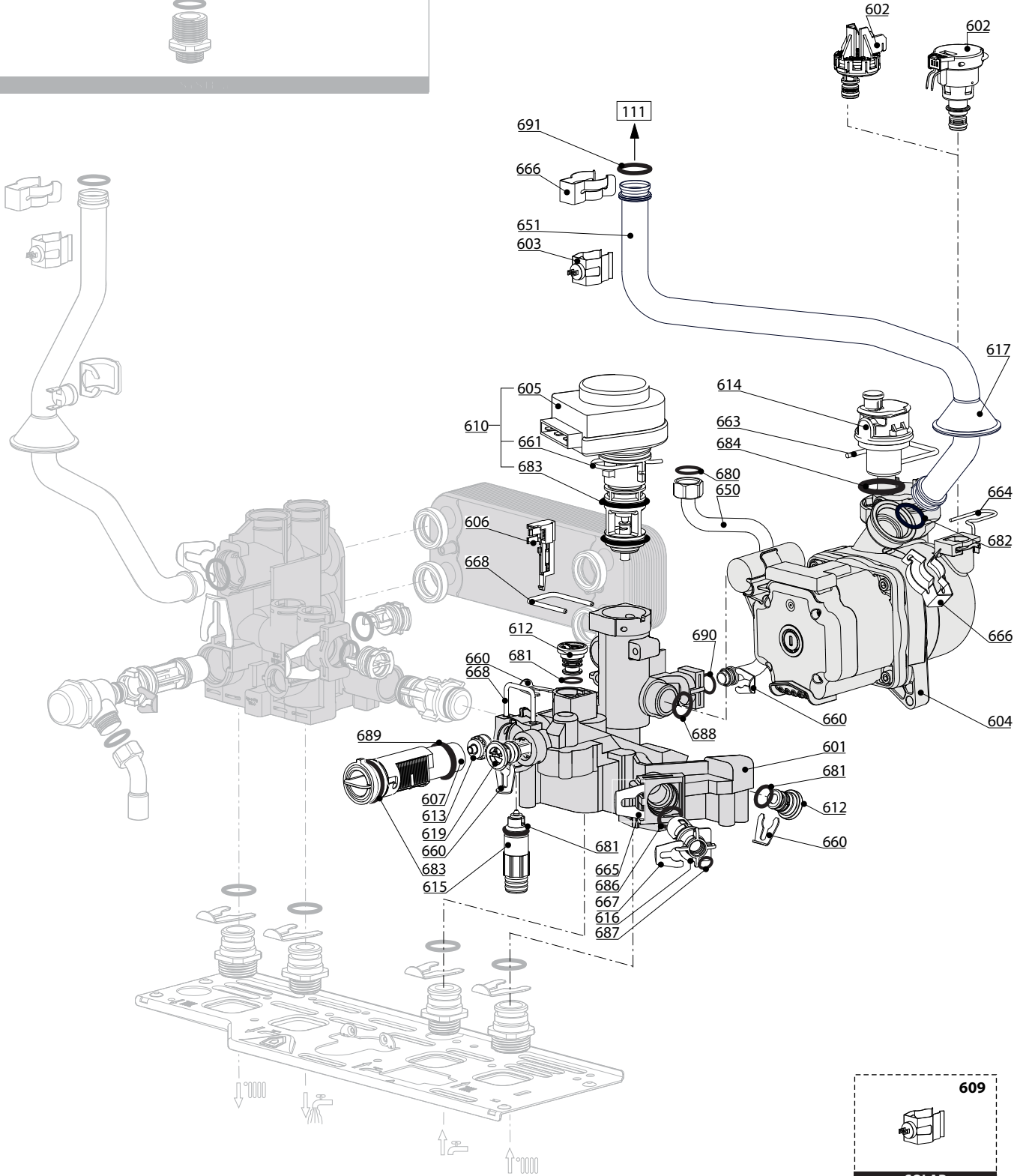
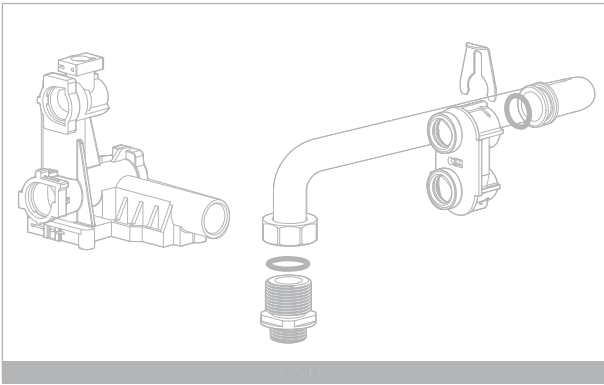


☉⇒	Description	Manf. Pt. N	Type	TALIA GREEN EVO 25 TALIA GREEN EVO 30 TALIA GREEN EVO 35 TALIA GREEN EVO SYS. 12 TALIA GREEN EVO SYS. 18 TALIA GREEN EVO SYS. 25 TALIA GREEN EVO SYS. 30 TALIA GREEN EVO SYS. 35																	
				1	2	3	4	5	6	7	8	9	10	11	12	13	14	15	16	17	18
0300	FAN ASSEMBLY																				
0310	BI FLUX CONNECTION	60000523		•	•	•	•	•	•	•	•	•	•	•	•	•	•	•	•		
0312	FLUE INTAKE PLUG	65104295		•	•	•	•	•	•	•	•	•	•	•	•	•	•	•	•		
0370	SEALING RING 80mm	60000315		•	•	•	•	•	•	•	•	•	•	•	•	•	•	•	•		
0371	GASKET	60000316		•	•	•	•	•	•	•	•	•	•	•	•	•	•	•	•		
0373	GASKET	60000317		•	•	•	•	•	•	•	•	•	•	•	•	•	•	•	•		
0400	SEALED CASE																				
0401	EXPANSION VESSEL	65104261		•	•	•	•	•	•	•	•	•	•	•	•	•	•	•	•		
0412	SPRING FRONT PANEL (KIT)	65104298		•	•	•	•	•	•	•	•	•	•	•	•	•	•	•	•		
0413	AIR RETURN COVER	65104249		•	•	•	•	•	•	•	•	•	•	•	•	•	•	•	•		
0414	PANEL (FRONT - SEALED CHAMBER)	65105679		•	•	•	•	•	•	•	•	•	•	•	•	•	•	•	•		
0415	SIDE PANELS LEFT + RIGHT	65111885		•	•	•	•	•	•	•	•	•	•	•	•	•	•	•	•		
	SIDE PANELS LEFT + RIGHT	65111900		•	•	•	•	•	•	•	•	•	•	•	•	•	•	•	•		
0417	CASE PANEL (FRONT)	60000719		•	•	•	•	•	•	•	•	•	•	•	•	•	•	•	•		
0420	EXPANSION VESSEL SUPPORT	65104696		•	•	•	•	•	•	•	•	•	•	•	•	•	•	•	•		
0470	CABLE INLET RUBBER WASHER	60000540		•	•	•	•	•	•	•	•	•	•	•	•	•	•	•	•		
0471	CABLE INLET RUBBER WASHER	60000541		•	•	•	•	•	•	•	•	•	•	•	•	•	•	•	•		

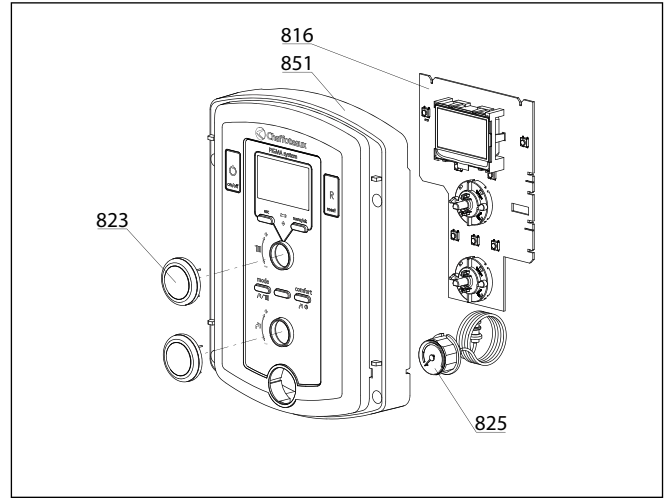
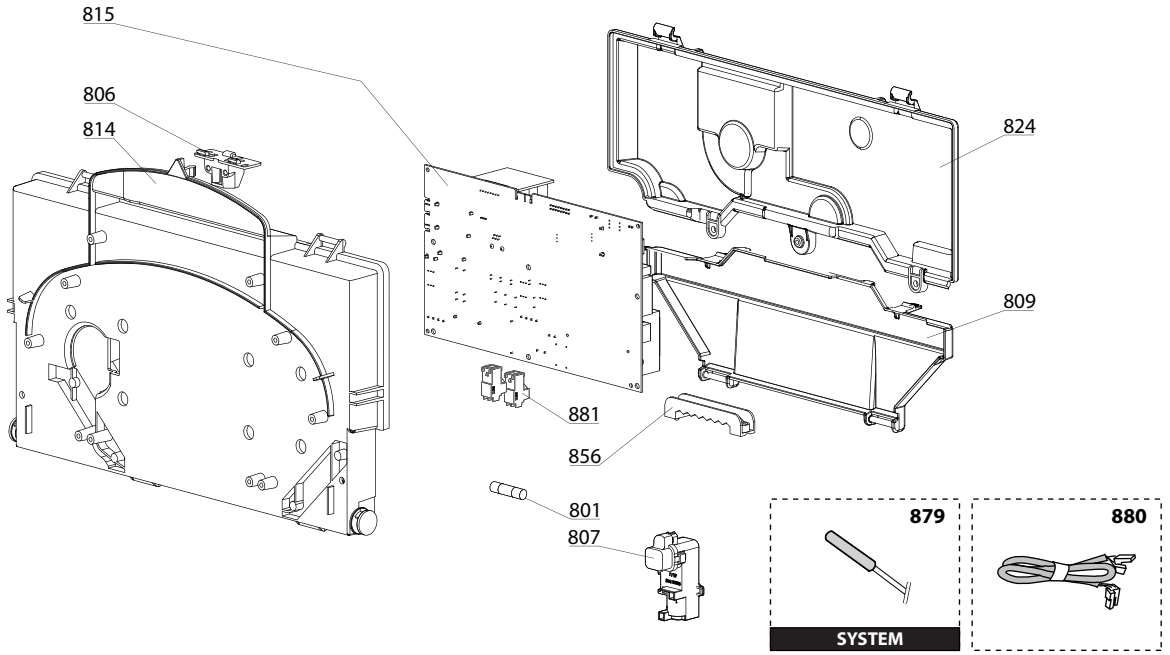
TALIA GREEN EVO 25
 TALIA GREEN EVO 30
 TALIA GREEN EVO 35
 TALIA GREEN EVO SYS. 12
 TALIA GREEN EVO SYS. 18
 TALIA GREEN EVO SYS. 25
 TALIA GREEN EVO SYS. 30
 TALIA GREEN EVO SYS. 35

31

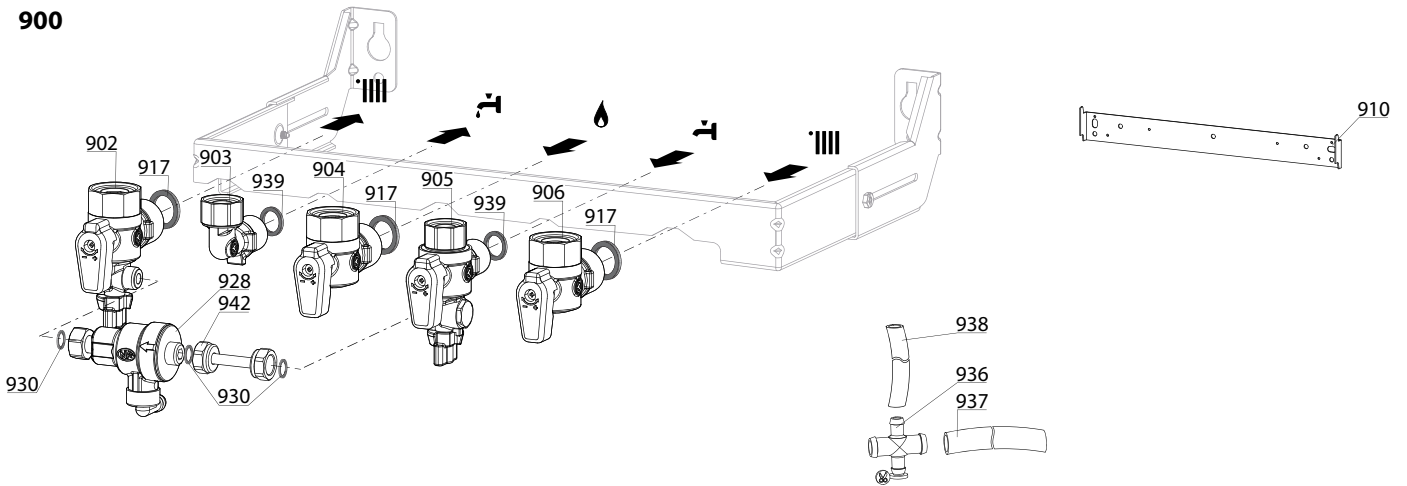
Description	Manf. Pt. N	Type	Type																	
			1	2	3	4	5	6	7	8	9	10	11	12	13	14	15	16	17	18
0500 FLOW GROUP																				
0501 FLOW GROUP	60000872																			
FLOW GROUP	60001952																			
0502 TEMPERATURE PROBE + CLIP	990686																			
0503 PRESSURE RELIEF VALVE (3 BAR)	61312668																			
0507 WATER / WATER HEAT EXCHANGER 16	65104333																			
0512 PLUG	65104445																			
0513 GROMMET	61010109																			
0514 BY-PASS	65104336																			
0519 INTERFACE 'System +' Open	60001365																			
0520 UNION (3/4-1/2)	60001367																			
0521 HYDRAULIC GROUP SUPPORT	60001375																			
0550 PIPE (SAFETY VALVE)	65104447																			
0551 HEATING FLOW TUBE	60000859																			
HEATING FLOW TUBE	60000981																			
HEATING FLOW TUBE	60001590																			
0552 BY-PASS PIPE	65104340																			
0557 TUBO SYSTEM	60001366																			
0560 CLIP D:10	65104260																			
0562 CLIP D:18	65104259																			
0565 CLIP	60000309																			
0580 SHEET GASKET D: 13.9-10.4-1.5	60061853-02																			
0581 O - RING (17.96X2.62)	65104337																			
0582 O-RING D: 17.86-2.62	61308091																			
0583 O - RING (15.54X2.62)	65104325																			
0585 O-RING 3,53X17,04	65104262																			
0588 EXCHANGER GASKET	65104334																			
0589 SHEET GASKET D: 24-14-1.5	60061855-17																			



☉➔	Description	Manf. Pt. N	Type	TALIA GREEN EVO 25 TALIA GREEN EVO 30 TALIA GREEN EVO 35 TALIA GREEN EVO SYS. 12 TALIA GREEN EVO SYS. 18 TALIA GREEN EVO SYS. 25 TALIA GREEN EVO SYS. 30 TALIA GREEN EVO SYS. 35																	
				1	2	3	4	5	6	7	8	9	10	11	12	13	14	15	16	17	18
0600	RETURN GROUP																				
0601	RETURN GROUP	60000874		•	•	•	•	•	•	•	•	•	•	•	•	•	•	•	•		
0602	LOW PRESSURE SWITCH	65105090		•	•	•	•	•	•	•	•	•	•	•	•	•	•	•	•		
0603	TEMPERATURE PROBE + CLIP	990686		•	•	•	•	•	•	•	•	•	•	•	•	•	•	•	•		
0604	PUMP 5M PWM	60001947		•	•	•	•	•	•	•	•	•	•	•	•	•	•	•	•		
0605	MOTOR - THREE-WAY VALVE	61302483-01		•	•	•	•	•	•	•	•	•	•	•	•	•	•	•	•		
0606	SENSOR (REED)	65104323		•	•	•	•	•	•	•	•	•	•	•	•	•	•	•	•		
0607	FLOW METER	60000870		•	•	•	•	•	•	•	•	•	•	•	•	•	•	•	•		
0610	MOTOR + SPRING 3 WAY VALVE KIT	60001583		•	•	•	•	•	•	•	•	•	•	•	•	•	•	•	•		
0612	PLUG	65104377		•	•	•	•	•	•	•	•	•	•	•	•	•	•	•	•		
0613	RIDUCTORS (KIT)	65104318		•	•	•	•	•	•	•	•	•	•	•	•	•	•	•	•		
0614	AUTO AIR VENT	65112086	ASKOLL	•	•	•	•	•	•	•	•	•	•	•	•	•	•	•	•		
0615	KIT DRAIN SCREW	60001385		•	•	•	•	•	•	•	•	•	•	•	•	•	•	•	•		
0616	WATER FILTER	60001372		•	•	•	•	•	•	•	•	•	•	•	•	•	•	•	•		
0617	GROMMET	61010109		•	•	•	•	•	•	•	•	•	•	•	•	•	•	•	•		
0619	CHECK VALVE CARTRIDGE	65105323		•	•	•	•	•	•	•	•	•	•	•	•	•	•	•	•		
0650	PIPE (EXPANSION VESSEL)	60000718		•	•	•	•	•	•	•	•	•	•	•	•	•	•	•	•		
0651	HEATING RETURN TUBE	60001928		•	•	•	•	•	•	•	•	•	•	•	•	•	•	•	•		
0660	CLIP D:10	65104260		•	•	•	•	•	•	•	•	•	•	•	•	•	•	•	•		
0661	CLIP	65104332		•	•	•	•	•	•	•	•	•	•	•	•	•	•	•	•		
0663	U-CLIP	65104704		•	•	•	•	•	•	•	•	•	•	•	•	•	•	•	•		
0664	CLIP	65104322		•	•	•	•	•	•	•	•	•	•	•	•	•	•	•	•		
0665	CLIP	65104331		•	•	•	•	•	•	•	•	•	•	•	•	•	•	•	•		
0666	CLIP	60000309		•	•	•	•	•	•	•	•	•	•	•	•	•	•	•	•		
0667	CLIP	65100680		•	•	•	•	•	•	•	•	•	•	•	•	•	•	•	•		
0668	CLIP	65104316		•	•	•	•	•	•	•	•	•	•	•	•	•	•	•	•		
0680	GASKET 3/8	573521		•	•	•	•	•	•	•	•	•	•	•	•	•	•	•	•		
0681	O - RING (9.19X2.62)	65104313		•	•	•	•	•	•	•	•	•	•	•	•	•	•	•	•		
0682	O-RING 3,53X17,04	65104262		•	•	•	•	•	•	•	•	•	•	•	•	•	•	•	•		
0683	O - RING (23.47X2.62)	65104315		•	•	•	•	•	•	•	•	•	•	•	•	•	•	•	•		
0684	O-RING D: 35-3	65104705		•	•	•	•	•	•	•	•	•	•	•	•	•	•	•	•		
0686	O - RING (15.54X2.62)	65104325		•	•	•	•	•	•	•	•	•	•	•	•	•	•	•	•		
0687	O RING D: 5.7-1.9	61009834-10		•	•	•	•	•	•	•	•	•	•	•	•	•	•	•	•		
0688	O - RING (21.89X2.62)	65104320		•	•	•	•	•	•	•	•	•	•	•	•	•	•	•	•		
0689	O-RING 17,17X1,78	65104303		•	•	•	•	•	•	•	•	•	•	•	•	•	•	•	•		
0690	O-RING D: 8.9-2.7	61009834-14		•	•	•	•	•	•	•	•	•	•	•	•	•	•	•	•		
0691	O-RING D: 17.86-2.62	61308091		•	•	•	•	•	•	•	•	•	•	•	•	•	•	•	•		



900



5000

<p>5001 Transf. gaz > GPL Conv. gas > GPL Trasn. gas > GPL Transf. gas > GPL</p>	<p>5002 Transf. gaz > Nat Conv. gas > Nat Trasn. gas > Met Transf. gas > Met</p>	<p>5020 Options Accessories Opzioni Accessorio</p>
-----------------------------------------------------------------------------------------------------------------------------------------------------------------------------------------	-----------------------------------------------------------------------------------------------------------------------------------------------------------------------------------------	-----------------------------------------------------------------------------------------------------------------------------------------------

☉⇒	Description	Manf. Pt. N	Type	TALIA GREEN EVO 25 TALIA GREEN EVO 30 TALIA GREEN EVO 35 TALIA GREEN EVO SYS. 12 TALIA GREEN EVO SYS. 18 TALIA GREEN EVO SYS. 25 TALIA GREEN EVO SYS. 30 TALIA GREEN EVO SYS. 35																	
				1	2	3	4	5	6	7	8	9	10	11	12	13	14	15	16	17	18
0800	ELECTRICAL BOX																				
0801	FUSE 250V 2A - TEMPORIZED	61003456		●	●	●	●	●	●	●	●	●	●	●	●	●	●	●	●		
0806	PUSH	65104228		●	●	●	●	●	●	●	●	●	●	●	●	●	●	●	●		
0807	IGNITER	60001871		●	●	●	●	●	●	●	●	●	●	●	●	●	●	●	●		
0809	INSPECTION COVER	60001618		●	●	●	●	●	●	●	●	●	●	●	●	●	●	●	●		
0814	CONTROL PANEL	60001616		●	●	●	●	●	●	●	●	●	●	●	●	●	●	●	●		
0815	P.C.B. (MAIN)	60001898		●	●	●	●	●	●	●	●	●	●	●	●	●	●	●	●		
0816	PRINTED CIRCUIT BOARD (DISPLAY)	60001906-01		●	●	●	●	●	●	●	●	●	●	●	●	●	●	●	●		
0823	KNOB	60001932		●	●	●	●	●	●	●	●	●	●	●	●	●	●	●	●		
0824	CONTROL PANEL COVER (REAR)	60001617		●	●	●	●	●	●	●	●	●	●	●	●	●	●	●	●		
0825	PRESSURE GAUGE	60001907		●	●	●	●	●	●	●	●	●	●	●	●	●	●	●	●		
0851	FRONT CONTROL PANEL COMPLETE	60001909		●	●	●	●	●	●	●	●	●	●	●	●	●	●	●	●		
0856	CABLE CLAMP	65103377		●	●	●	●	●	●	●	●	●	●	●	●	●	●	●	●		
0879	BOILER THERMISTOR TEMP. SENSOR	60000454		●	●	●	●	●	●	●	●	●	●	●	●	●	●	●	●		
0880	DISPLAY WIRING	60000746		●	●	●	●	●	●	●	●	●	●	●	●	●	●	●	●		
	EARTH WIRE	65104286		●	●	●	●	●	●	●	●	●	●	●	●	●	●	●	●		
	FAN CABLE	60001624		●	●	●	●	●	●	●	●	●	●	●	●	●	●	●	●		
	FEEDER 240V	60001619		●	●	●	●	●	●	●	●	●	●	●	●	●	●	●	●		
	FLOW METER CABLE - PRES. SENSOR CABLE	60001620		●	●	●	●	●	●	●	●	●	●	●	●	●	●	●	●		
	GAS VALVE CABLE	60001622		●	●	●	●	●	●	●	●	●	●	●	●	●	●	●	●		
	IGNITION ELECTRODE CABLE	60000527		●	●	●	●	●	●	●	●	●	●	●	●	●	●	●	●		
	IGNITOR CABLE	60001894		●	●	●	●	●	●	●	●	●	●	●	●	●	●	●	●		
	IONIZATION ELECTRODE CABLE	60001883		●	●	●	●	●	●	●	●	●	●	●	●	●	●	●	●		
	NTC PROBE - NTC EXCHANGER	60001901		●	●	●	●	●	●	●	●	●	●	●	●	●	●	●	●		
	PUMP CABLE 1V ASK	60001887	ASKOLL	●	●	●	●	●	●	●	●	●	●	●	●	●	●	●	●		
	THREE WAY VALVE CABLE	60001621		●	●	●	●	●	●	●	●	●	●	●	●	●	●	●	●		
0881	CONNECTOR 2P	65111933		●	●	●	●	●	●	●	●	●	●	●	●	●	●	●	●		
	CONNECTOR 3P	65111934		●	●	●	●	●	●	●	●	●	●	●	●	●	●	●	●		
0900	JIG PLATE & PIPE FITTING																				
0902	WATER FLOW SERVICE TAP	60000886		●	●	●	●	●	●	●	●	●	●	●	●	●	●	●	●		
0903	HOT WATER CONNECTION	60000891		●	●	●	●	●	●	●	●	●	●	●	●	●	●	●	●		
0904	GAS SERVICE TAP	60000898		●	●	●	●	●	●	●	●	●	●	●	●	●	●	●	●		
0905	COLD WATER TAP	60000894		●	●	●	●	●	●	●	●	●	●	●	●	●	●	●	●		
0906	WATER FLOW & RETURN SERVI. TAP	60000885		●	●	●	●	●	●	●	●	●	●	●	●	●	●	●	●		
0910	WALL HOOK	60000852		●	●	●	●	●	●	●	●	●	●	●	●	●	●	●	●		
0917	SHEET GASKET D: 24-17-1.5	60061855-19		●	●	●	●	●	●	●	●	●	●	●	●	●	●	●	●		
0928	DISCONNECTOR	60000881		●	●	●	●	●	●	●	●	●	●	●	●	●	●	●	●		
0930	SHEET GASKET D: 11-5-1.5	60061853-07		●	●	●	●	●	●	●	●	●	●	●	●	●	●	●	●		
0936	UNION	60000879		●	●	●	●	●	●	●	●	●	●	●	●	●	●	●	●		
0937	TUBE PVC D: 13x17 L: 1M	60081266-02		●	●	●	●	●	●	●	●	●	●	●	●	●	●	●	●		
0938	TUBE PVC D: 9x12 L: 1M	60081266		●	●	●	●	●	●	●	●	●	●	●	●	●	●	●	●		
0939	SHEET GASKET D: 16.5-11-1.5	60061854-14		●	●	●	●	●	●	●	●	●	●	●	●	●	●	●	●		
0942	FILLER NECK	60001078		●	●	●	●	●	●	●	●	●	●	●	●	●	●	●	●		
5000	ACCESSORIES																				
5001	BURNER JET FULL KIT (LPG 24kw)	60001943		●					●												
	BURNER JET FULL KIT (LPG 30kw)	60001944			●					●											
	BURNER JET FULL KIT (LPG 35kw)	60001945				●					●										
	BURNER JET FULL KIT (LPG)	60001946							●	●											
5020	SUBSTITUTION KIT GRAPHITE+SPRING	60001298		●	●	●	●	●	●	●	●	●	●	●	●	●	●	●	●		

LIST OF THE ABBREVIATIONS

HW	: Hot water.
CW	: Cold water.
C	: Ceramic resistance (normal heating).
Ca	: Ceramic resistance (accelerated heating)
TP	: Immersion heater.
1F	: With fittings.
2F	: Without fittings.
3F	: With fittings and another outlet connection.
AMI	: With mixing valve.
SMI	: Without mixing valve.
PUISS	: Power of th appliance.
PN	: Appliance with normal pression.
LP	: Appliance with low pression.
PV	: Appliance with variable power.
PF	: Appliance with fixed power.

IDENTIFICATION PLATE

SERIAL NUMBER

10 Characters :	04 05 125 011	Sequential number Manufacturing day Year of manufacture
11 Characters :	1 95 065004 - 31	Technical number of the appliance Sequential number Year of manufacture
Month of manufacture : from 1 to 9 → Jan. to Sep., O → Oct., N → Nov., D → Dec.		
19 Characters :	08 05 0013199 900640031	Product reference Sequential number
Year of manufacture Month of manufacture		
20 Characters :	3675007 XX 2 07 070 00315	Sequential number Manufacturing day Year of manufacture
Product reference Millenium of manufacture		
21 Characters :	3675007 XX 07 070 0000315	Sequential number Manufacturing day
Product reference Year of manufacture		