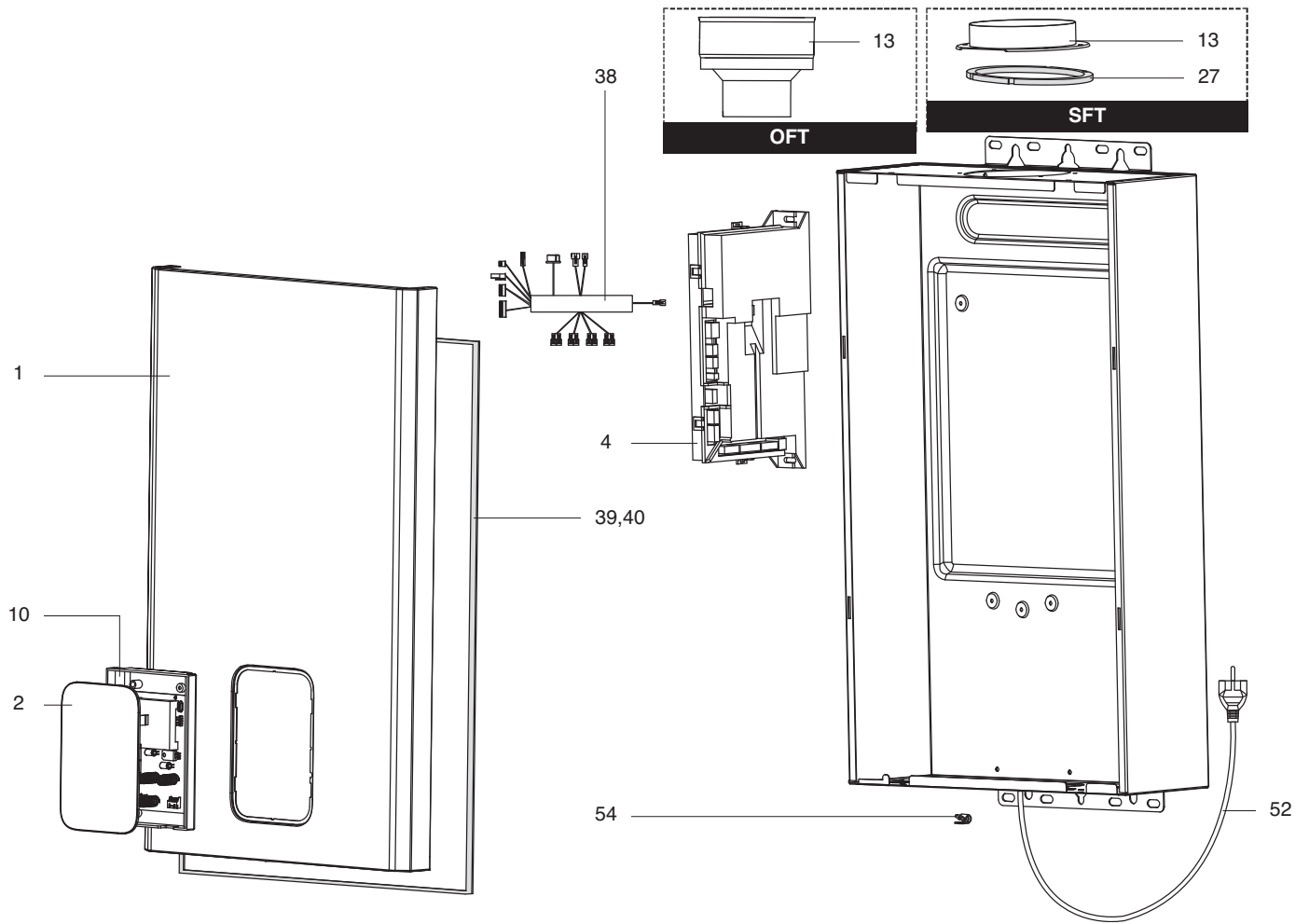


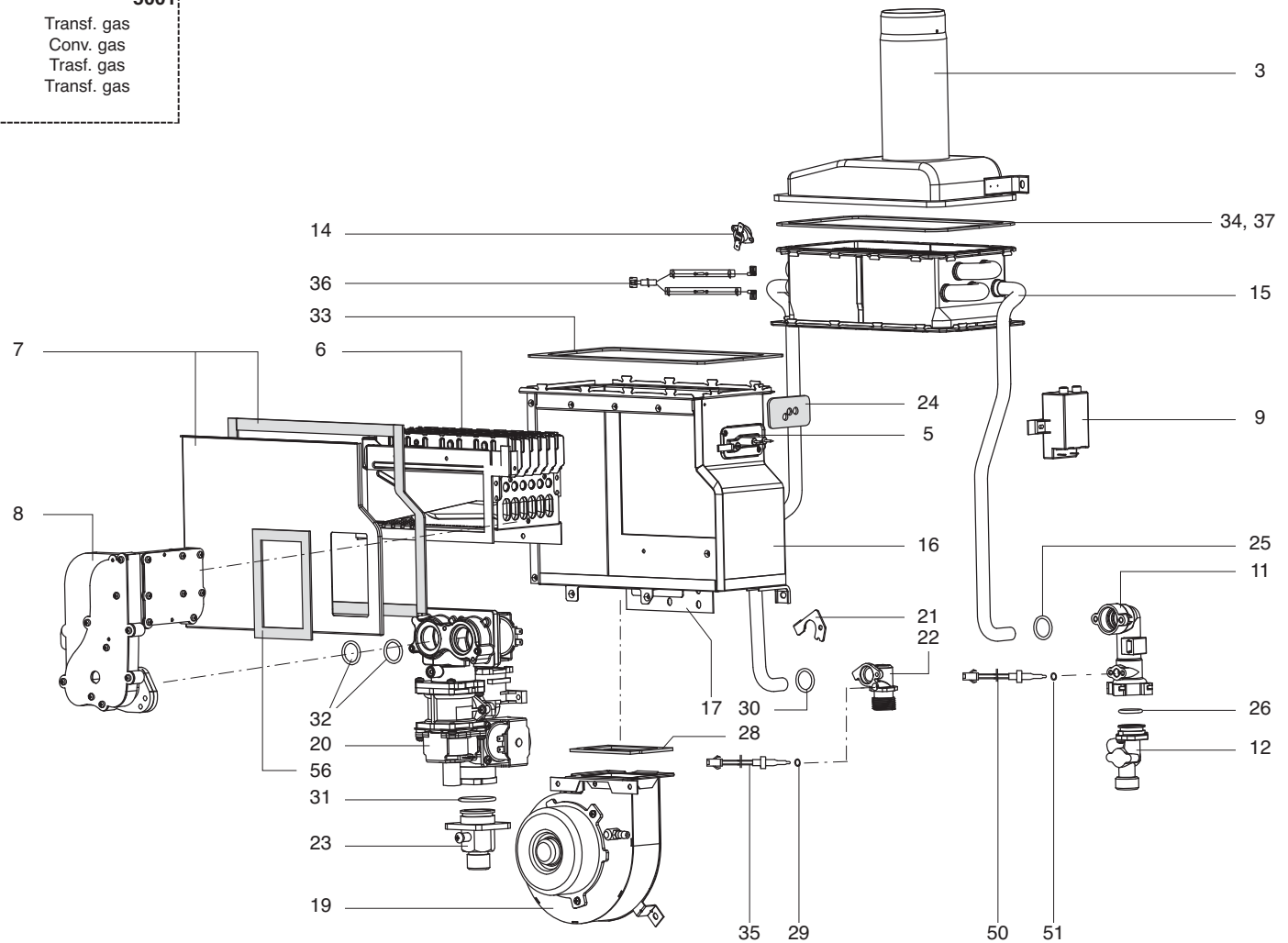
SPARE PARTS EXPLODED VIEW
 INSTANTANEOUS GAS WATER HEATERS
 Model
AVENIR PLUS LNX SFT/OFT

R8218200-03 - 24/07/2020

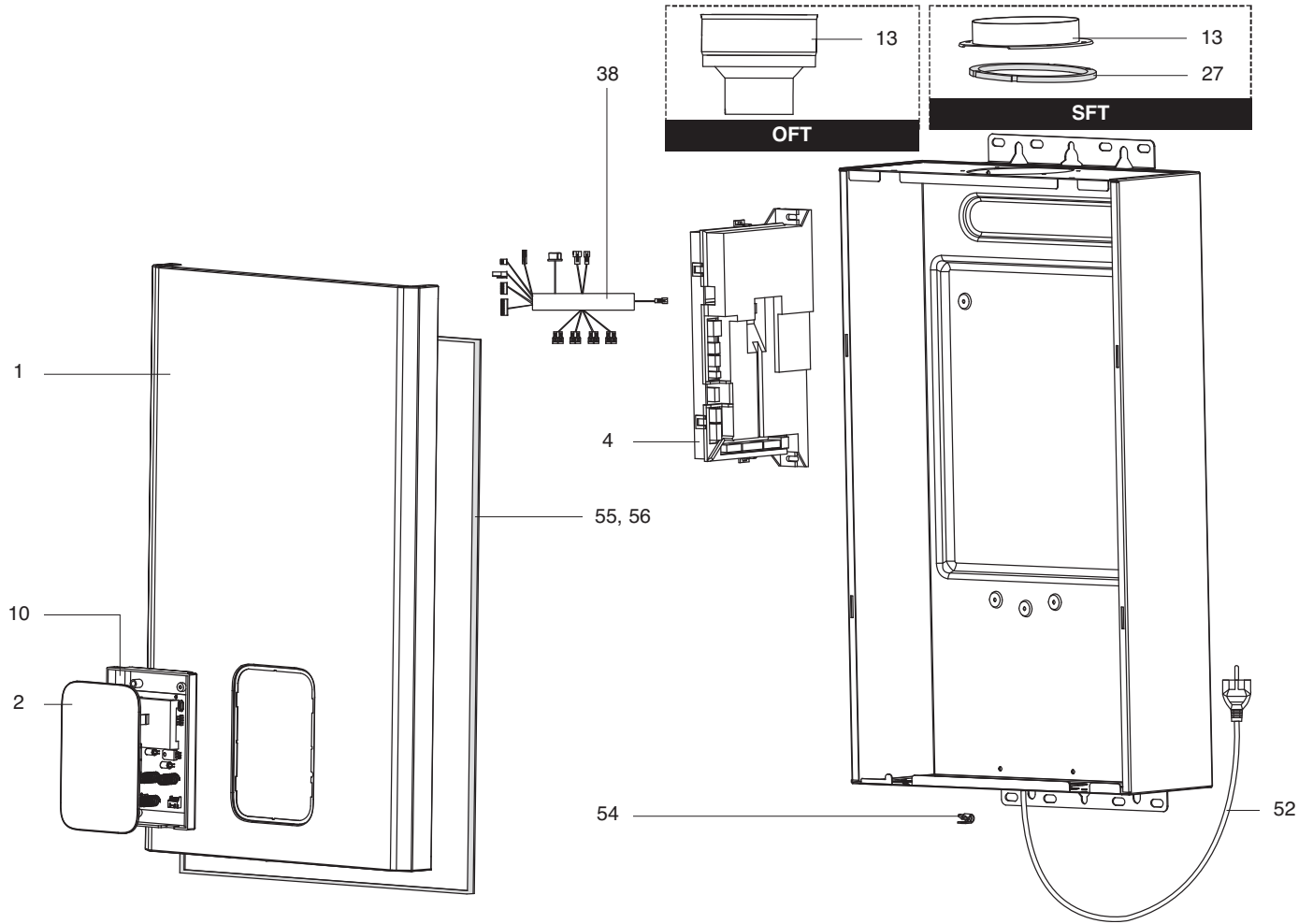
1	3632443	AVENIR PLUS LNX SFT 11 NG EU	08-2018	-
1	3632444	AVENIR PLUS LNX SFT 11 LPG EU	08-2018	-
1	3632445	AVENIR PLUS LNX SFT 12 NG EU	08-2018	-
1	3632446	AVENIR PLUS LNX SFT 12 LPG EU	08-2018	-
1	3632449	AVENIR PLUS LNX SFT 11 NG PIB EU	08-2018	-
1	3632450	AVENIR PLUS LNX SFT 11 LPG PIB EU	08-2018	-
2	3632453	AVENIR PLUS LNX OFT 12 NG PIB EU	08-2018	-
2	3632454	AVENIR PLUS LNX OFT 12 LPG PIB EU	08-2018	-
3	3632447	AVENIR PLUS LNX SFT 16 NG EU	08-2018	-
3	3632451	AVENIR PLUS LNX SFT 16 NG PIB EU	08-2018	-
4	3632448	AVENIR PLUS LNX SFT 16 LPG EU	08-2018	-
4	3632452	AVENIR PLUS LNX SFT 16 LPG PIB EU	08-2018	-
5	3632455	AVENIR PLUS LNX OFT 17 NG PIB EU	08-2018	-
6	3632456	AVENIR PLUS LNX OFT 17 LPG PIB EU	08-2018	-
Col	Reference	Model type	Begin	End



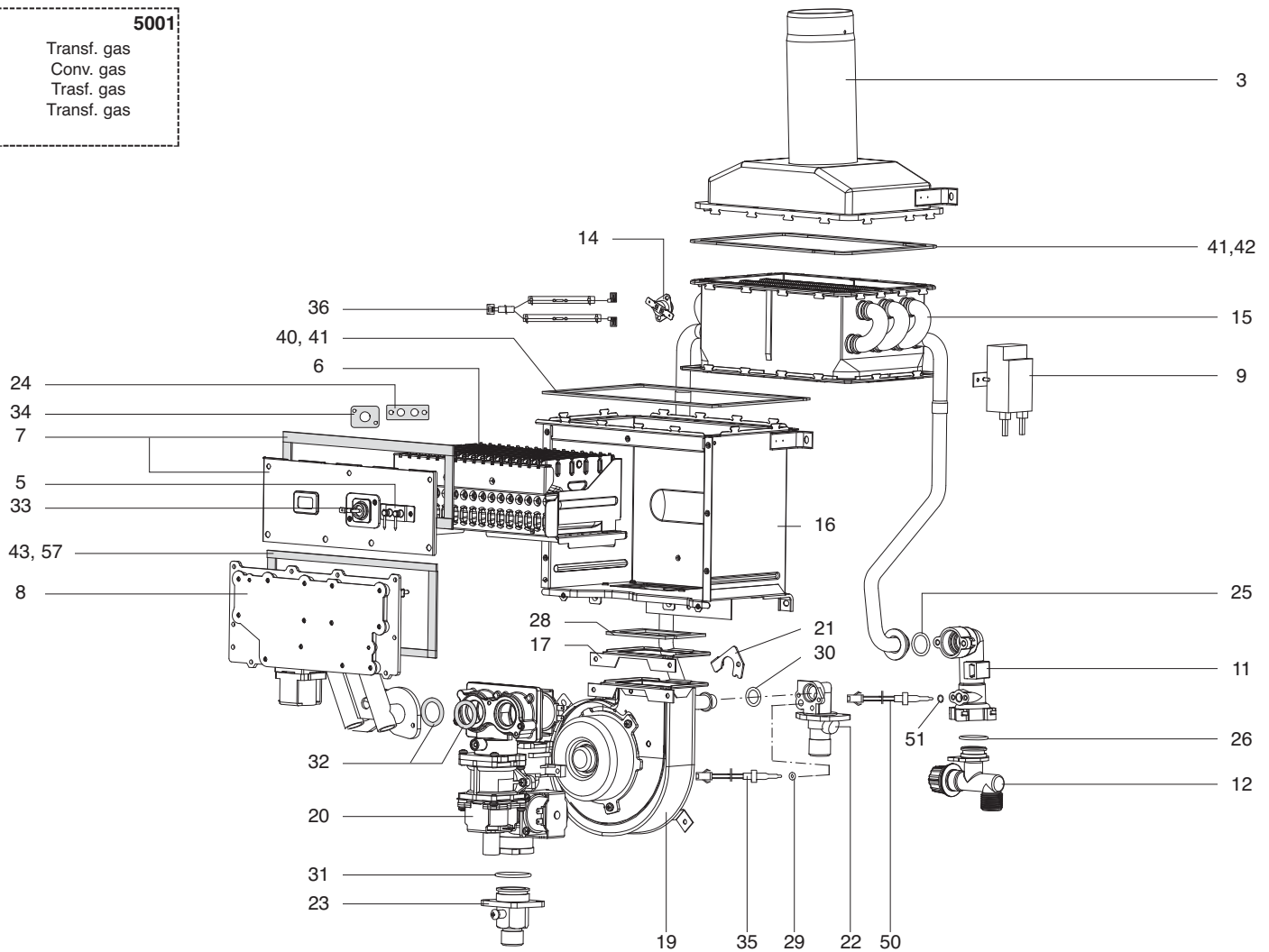
5001
 Transf. gas
 Conv. gas
 Trasn. gas
 Transf. gas



☉➔	Description	Manf. Pt. N	Type	<div style="border: 1px solid black; padding: 5px; transform: rotate(-15deg); display: inline-block;"> 11-12 L SFT 12 L OFT 16-17 L SFT NG 16-17 L SFT LP 17 L OFT NG 17 L OFT LP </div>																		<div style="border: 1px solid black; padding: 5px; display: inline-block;"> 31 </div>	
				1	2	3	4	5	6	7	8	9	10	11	12	13	14	15	16	17	18	From	to
0001	PANEL (FRONT)	65153795		•	•																		
0002	MANTLE DECORATIVE PLATE	65153798		•	•																		
0003	FLUE HOOD G20	65154490		•																			
	FLUE HOOD G31	65153800		•	•																		
0004	MAIN CONTROLLER ASSY	65153801-01		•	•																		
0005	IGNITION NEEDLE ASSY	65153802		•	•																		
0006	BURNER	65153803		•	•																		
0007	COMBUSTION CHAMBER PANEL ASSY	65153805		•	•																		
0008	GAS MANIFOLD G20/G25	65153806		•	•																		
	GAS MANIFOLD G31	65153807		•	•																		
0009	SPARK GENERATOR	65153808		•	•																		
0010	DISPLAY	65153810		•	•																		
0011	WATER FLOW SENSOR ASSY	65153811		•	•																		
0012	WATER INLET JOINT ASSY	65154085		•	•																		
0013	EXHAUST PIPE JOINT	65153833		•																			
	FLUE PIPE ADAPTER	65153814			•																		
0014	THERMOSTAT	65153815		•	•																		
0015	HEAT EXCHANGER ASSY	65153816		•	•																		
0017	FAN MOTOR FIXED PLATE	65154494		•	•																		
0019	FAN MOTOR ASSY	65153966		•	•																		
0020	GAS VALVE	65153820		•	•																		
0021	WATER OUTLET FIXED PLATE	65153821		•	•																		
0022	WATER OUTLET	65153822		•	•																		
0023	PIPE (GAS)	65153823		•	•																		
0024	GASKET (IGNITION ELECTRODE)	65153928		•	•																		
0025	O-RING	65153929		•	•																		
0026	O-RING	65153930		•	•																		
0027	GASKET (EXHAUST PIPE JOINT)	65153931		•																			
0029	O-RING	65153934		•	•																		
0030	O-RING	65153935		•	•																		
0031	O-RING	65153936		•	•																		
0032	O-RING	65153937		•	•																		
0033	GASKET (COMB.CHAMB.-UP/BOTTOM)	65119924		•	•																		
0034	GASKET (HEAT EXCHANG.UP/BOTTOM)	65119925		•	•																		
0035	PROBE (HOT WATER)	65154474		•	•																		
0036	WIRING (THERMOSTAT)	65154489		•	•																		
0037	GASKET (HEAT EXCHANG.R.H./L.H.SIDE)	65119926		•	•																		
0038	WIRING (COMPLETE)	65153883		•	•																		
0039	PANEL SEALING STRIP 1	65154495		•																			
0040	PANEL SEALING STRIP 2	65154496		•																			
0050	PROBE (COLD WATER)	65154493		•	•																		
0051	O-RING	65154480		•	•																		
0052	CABLE (POWER SUPPLY)	65154492		•	•																		
0054	CABLE CLAMP	65154487		•	•																		
0056	GASKET (GAS MANIFOLD-UP/BOTTOM)	65119922		•	•																		
5001	SFT GAS TRANSF NG TO AP 11L LNX	65119331	AP	•																			
	SFT OFT GAS TRANSF LPG TO NG 11L LNX	65119327	G20/G25	•	•																		
	SFT OFT GAS TRANSF NG TO LPG 11L LNX	65119328	G31	•	•																		



5001
 Transf. gas
 Conv. gas
 Trasn. gas
 Transf. gas



☉⇒	Description	Manf. Pt. N	Type	<div style="display: flex; justify-content: space-between; align-items: center;"> <div style="transform: rotate(-45deg); font-size: small;"> 11-12 L SFT 12 L OFT 16-17 L SFT NG 16-17 L SFT LP 17 L OFT NG 17 L OFT LP </div> <div style="border: 1px solid black; padding: 2px;">31</div> </div>																		From	to
				1	2	3	4	5	6	7	8	9	10	11	12	13	14	15	16	17	18		
0001	PANEL (FRONT)	65153795				●	●	●	●														
0002	MANTLE DECORATIVE PLATE	65153798				●	●	●	●														
0003	FLUE HOOD	65153825				●	●																
	FLUE HOOD	65154707						●	●														
0004	MAIN CONTROLLER ASSY	65153801-01				●	●																
0005	IGNITION NEEDLE ASSY	65153826				●	●	●	●														
0006	BURNER	65153827				●	●	●	●														
0007	PANEL (COMBUSTION CHAMBER - FRONT)	65153829				●	●	●	●														
0008	GAS MANIFOLD G20/G25	65153830				●		●	●														
	GAS MANIFOLD G31	65153831						●															
0009	SPARK GENERATOR	65153808				●	●	●	●														
0010	DISPLAY	65153810				●	●	●	●														
0011	WATER FLOW SENSOR ASSY	65153811				●	●	●	●														
0012	WATER INLET JOINT ASSY	65154090				●	●	●	●														
0013	EXHAUST PIPE JOINT	65153833				●	●																
	FLUE PIPE ADAPTER	65153834						●	●														
0014	THERMOSTAT	65153815				●	●	●	●														
0015	HEAT EXCHANGER ASSY	65153835				●	●	●	●														
0016	COMBUSTION CHAMBER	65154091				●	●	●	●														
0017	FAN MOTOR FIXED PLATE	65153818				●	●	●	●														
0019	FAN MOTOR ASSY	65153836						●	●	●													
	FAN MOTOR ASSY	65154529				●																	
0020	GAS VALVE	65153820				●	●	●	●														
0021	WATER OUTLET FIXED PLATE	65153821				●	●	●	●														
0022	WATER OUTLET	65154528				●	●	●	●														
0023	PIPE (GAS)	65153823				●	●	●	●														
0024	GASKET (IGNITION ELECTRODE)	65153938				●	●	●	●														
0025	O-RING	65153929				●	●	●	●														
0026	O-RING	65153930				●	●	●	●														
0027	GASKET (EXHAUST PIPE JOINT)	65153931				●	●																
0028	SEAL COMPONENTS	65153933				●	●	●	●														
0029	O-RING	65153934				●	●	●	●														
0030	O-RING	65153939				●	●	●	●														
0031	O-RING	65153936				●	●	●	●														
0032	O-RING	65153937				●	●	●	●														
0033	ELECTRODE (IONIZATION)	65153940				●	●	●	●														
0034	GASKET (IONIZATION ELECTRODE)	65153941				●	●	●	●														
0035	PROBE (HOT WATER)	65154474				●	●	●	●														
0036	CABLE (THERMOSTAT)	65154475				●	●	●	●														
0038	WIRING	65154478				●	●	●	●														
0040	GASKET (HEAT EXCHANG.UP/BOTTOM)	65154472				●	●	●	●														
0041	GASKET (HEAT EXCHANG.R.H./L.H.SIDE)	65154473				●	●	●	●														
0042	GASKET (COMB.CHAMB.-UP/BOTTOM)	65154471				●	●	●	●														
0043	GASKET (GAS MANIFOLD R.H./L.H.SIDE)	65154468				●	●	●	●														
0050	PROBE (COLD WATER)	65154493				●	●	●	●														
0051	O-RING	65154480				●	●	●	●														
0052	CABLE (POWER SUPPLY)	65154492				●	●	●	●														
0054	CABLE CLAMP	65154487				●	●	●	●														
0055	PANEL SEALING STRIP 1	65154495				●	●																
0056	PANEL SEALING STRIP 2	65154496				●	●																
0057	GASKET (GAS MANIFOLD-UP/BOTTOM)	65154470				●	●	●	●														
5001	SFT GAS TRANSF NG TO AP 14/16L LNX	65119332	AP			●																	
	SFT OFT GAS TRANSF LPG TO NG 14/16L LNX	65119329	G20/25				●		●														
	SFT OFT GAS TRANSF NG TO LPG 14/16L LNX	65119330	G3			●		●															

LIST OF THE ABBREVIATIONS

HW	: Hot water.
CW	: Cold water.
C	: Ceramic resistance (normal heating).
Ca	: Ceramic resistance (accelerated heating)
TP	: Immersion heater.
1F	: With fittings.
2F	: Without fittings.
3F	: With fittings and another outlet connection.
AMI	: With mixing valve.
SMI	: Without mixing valve.
PUISS	: Power of th appliance.
PN	: Appliance with normal pression.
LP	: Appliance with low pression.
PV	: Appliance with variable power.
PF	: Appliance with fixed power.

IDENTIFICATION PLATE

SERIAL NUMBER

6 Characters :
 Year of manufacture 03 09 08 Manufacturing day
 Month of manufacture

9 Characters :
 Year of manufacture 5 9 12 0606 Sequential number
 Month of manufacture

14 Characters :
 SI-V-0B0 45 07 0001
 Sequential number
 Year of manufacture : 6 → 2004
 Month of manufacture : 25 → January 43 → July 7 → 2005
 13 → February 29 → August 8 → 2006
 32 → March 40 → September etc ...
 35 → April 38 → October
 39 → May 51 → November
 45 → June 12 → December
 Product model

14 Characters :
 111518 XX 000010
 Month of manufacture Sequential number
 Day of manufacture Year of manufacture

15 Characters :
 02 11 00001 007843
 Year of manufacture Product reference
 Month of manufacture Sequential number

21 Characters :
 3200050 XX 08115 0000001
 Product reference Sequential number
 Year (08) / Manufacturing day (115)

22 Characters :
 3200050 XX 070115 0000001
 Product reference Sequential number
 Year (07) / Month (01) / Manufacturing day (15)