

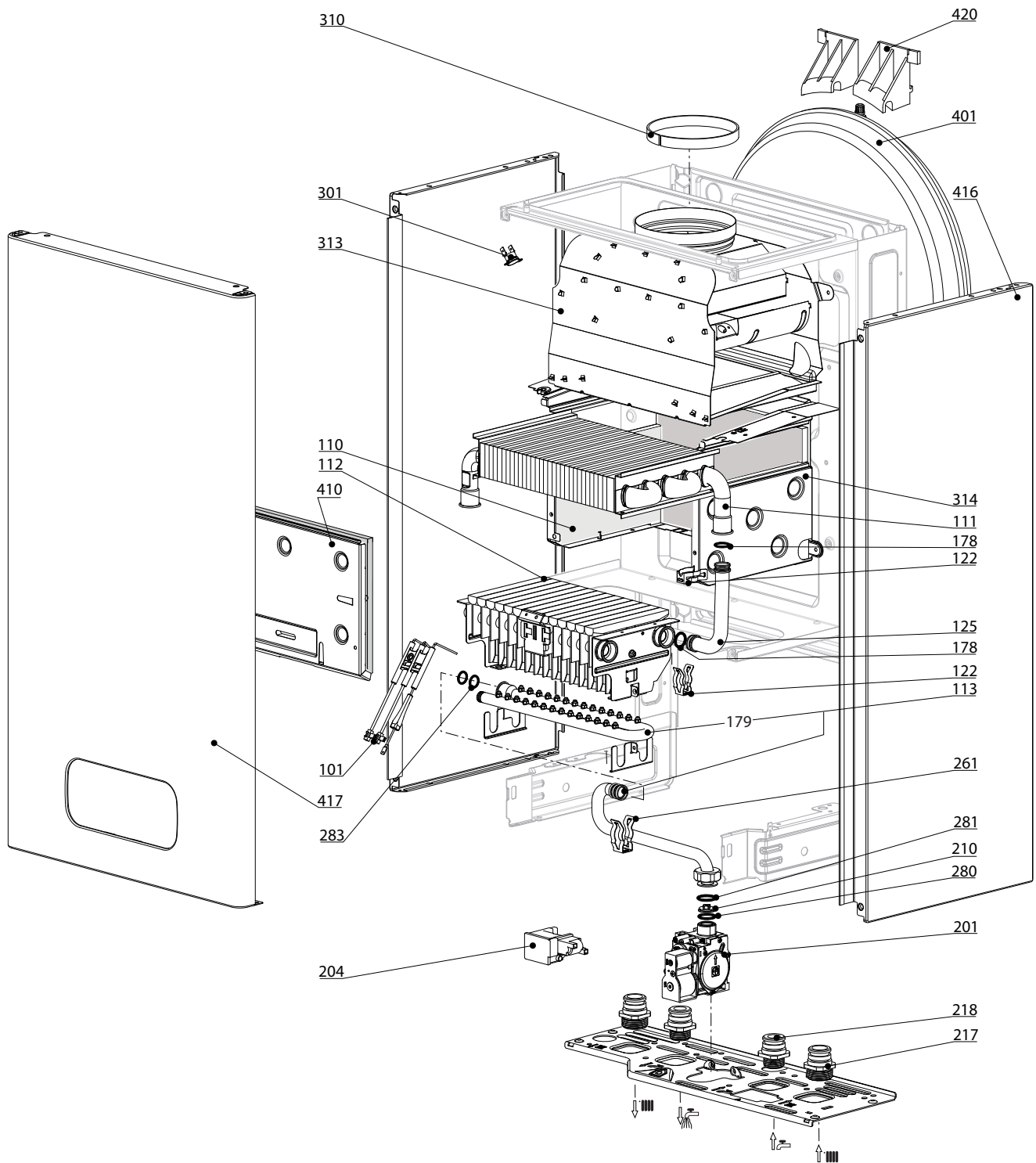
SPARE PARTS EXPLODED VIEW GAS-WALL BOILER ATM. BURNER

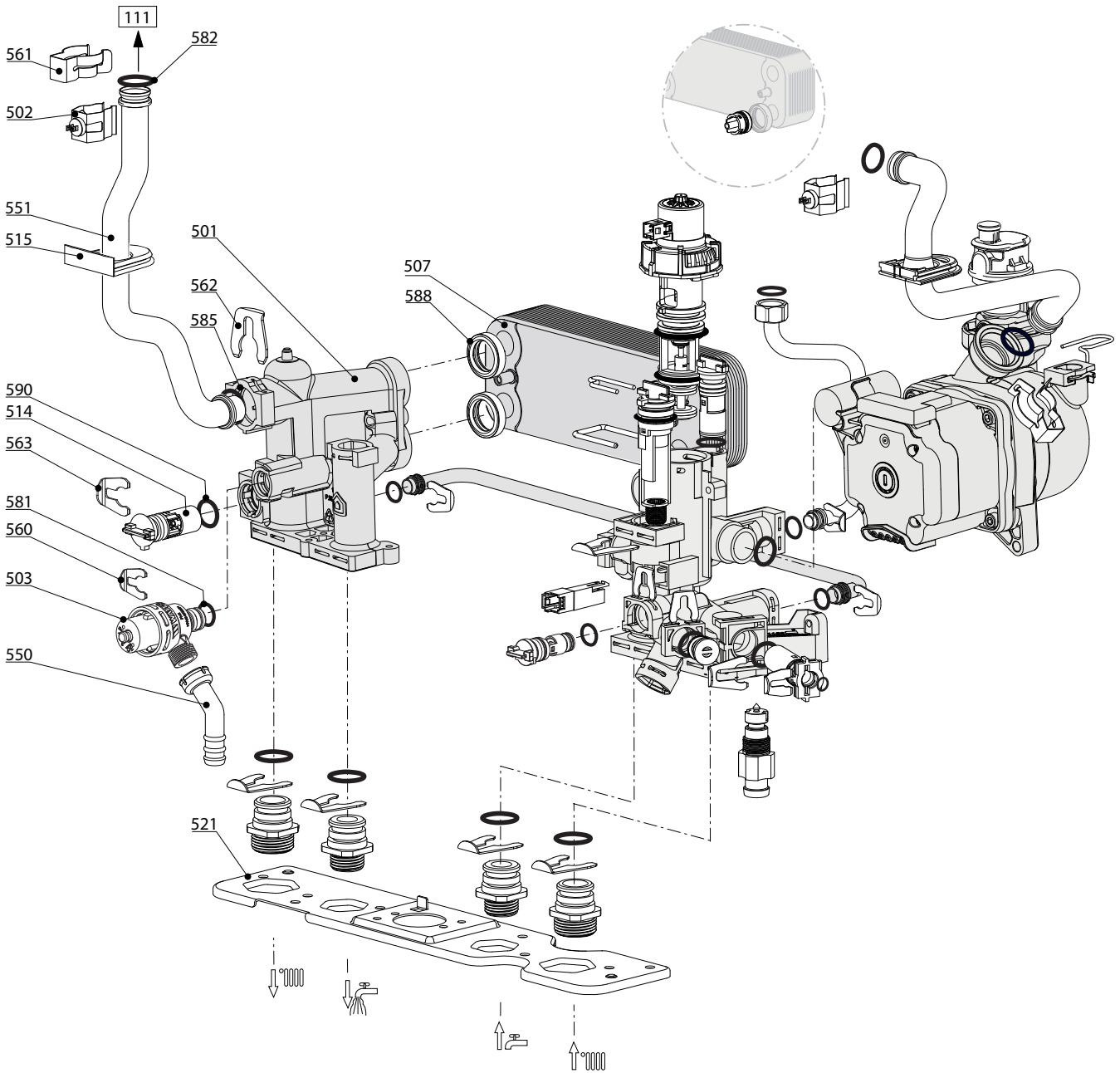
Model

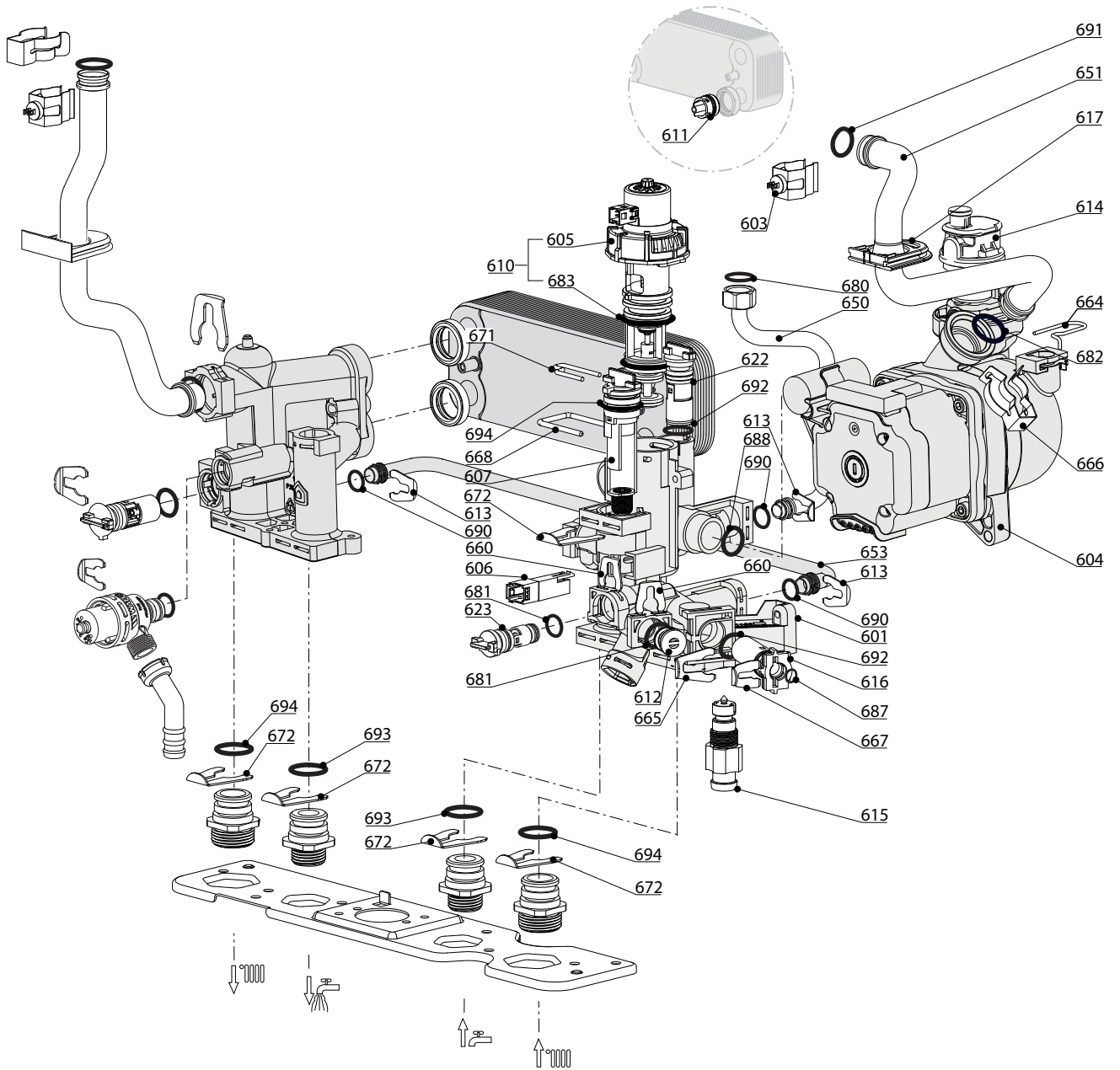
INOA NOX

R8203520-07 - 25/11/2020

1	3310636	INOA NOX 25 CF FR	08-2018	-
1	3310634	INOA NOX SHUNT 25 CF FR	08-2018	-
2	3310635	INOA NOX 24 VMC FR	08-2018	-
Col	Reference	Model type	Begin	End

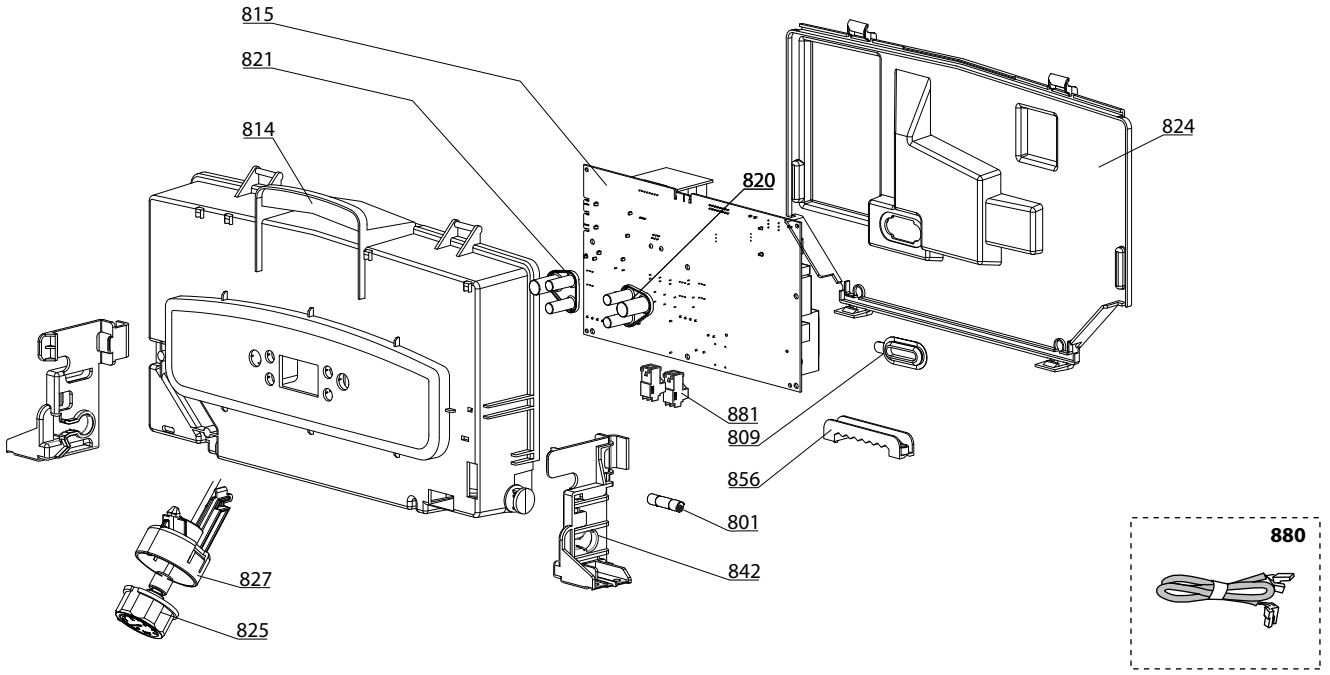




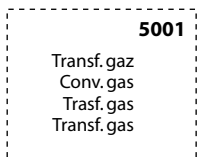


	Description	Manf. Pt. N	Type	INOA NOX CF / INOA NOX VMC																		31	
				1	2	3	4	5	6	7	8	9	10	11	12	13	14	15	16	17	18	From	to
0600	RETURN GROUP																						
0601	RETURN GROUP	65116833		●	●																05/18		
	RETURN GROUP	65117954		●	●															06/18			
0603	TEMPERATURE PROBE + CLIP	990686-01		●	●																		
0604	PUMP 5M PWM TACO	65116908-03	TACO	●	●																		
0605	MOTOR (3-WAY VALVE)	65114936		●	●																		
0606	SENSOR (REED)	65114921-01		●	●																		
0607	FLOW METER CAP	65114919		●	●																		
0610	MOTOR + SPRING 3 WAY VALVE KIT	65114924		●	●																		
0611	RIDUCTORS (KIT)	65116836		●	●																		
0612	PLUG	65114920		●	●																		
0613	CLIP D10	65104260		●	●																		
0614	AUTO AIR VENT - PANASONIC	65116392	PANA.	●	●																		
	AUTO AIR VENT - TACO ENER+	65112086	TACO	●	●																		
0615	DRAIN COCK	65114922		●	●																		
0616	WATER FILTER	65114923		●	●																		
0617	GROMMET	60000808		●	●																		
0622	BY-PASS	65114917		●	●																		
0623	CHECK VALVE CARTRIDGE	65114918		●	●																		
0650	PIPE (EXPANSION VESSEL)	65115068		●	●																		
0651	PIPE (C.H. RETURN)	65117621		●	●																		
0653	BY-PASS PIPE	65116210		●	●																05/18		
0660	CLIP D:10	65114933		●	●																		
0664	CLIP	65104322		●	●																		
0665	CLIP D:12	65114932		●	●																		
0666	CLIP	60000309		●	●																		
0667	CLIP D:6	65100680		●	●																		
0668	CLIP	65114927		●	●																		
0671	CLIP	65114926		●	●																		
0672	CLIP D=19	65114931		●	●																		
0680	GASKET 3/8 in	573521		●	●																		
0681	O-RING 9.9X2.62	65114937		●	●																		
0682	O-RING 17.04X3.53	65104262		●	●																		
0683	O-RING 23.47X2.62	65114939		●	●																		
0687	O-RING 5.7X1.9	61009834-10		●	●																		
0688	O-RING 21.89X2.62	65104320		●	●																		
0690	O-RING 8.9X2.7	61009834-14		●	●																		
0691	O-RING 17.86X2.62	61308091		●	●																		
0692	O-RING 11.91X2.62	65114940		●	●																		
0693	O-RING 15.88X2.62	65114941		●	●																		
0694	O-RING 17.13X2.62	65114938		●	●																		

800



5000



LIST OF THE ABBREVIATIONS

HW	: Hot water.
CW	: Cold water.
C	: Ceramic resistance (normal heating).
Ca	: Ceramic resistance (accelerated heating)
TP	: Immersion heater.
1F	: With fittings.
2F	: Without fittings.
3F	: With fittings and another outlet connection.
AMI	: With mixing valve.
SMI	: Without mixing valve.
PUISS	: Power of th appliance.
PN	: Appliance with normal pression.
LP	: Appliance with low pression.
PV	: Appliance with variable power.
PF	: Appliance with fixed power.

IDENTIFICATION PLATE

SERIAL NUMBER

10 Characters :	04 05 125 011	Sequential number
		Manufacturing day
		Year of manufacture
11 Characters :	1 95 065004 - 31	Technical number of the appliance
Month of manufacture : from 1 to 9 → Jan. to Sep., O → Oct., N → Nov., D → Dec.		Sequential number
		Year of manufacture
19 Characters :	08 05 0013199 900640031	Product reference
Year of manufacture		Sequential number
Month of manufacture		
20 Characters :	3675007 XX 2 07 070 00315	Sequential number
Product reference		Manufacturing day
Millenium of manufacture		Year of manufacture
21 Characters :	3675007 XX 07 070 0000315	Sequential number
Product reference		Manufacturing day
Year of manufacture		