

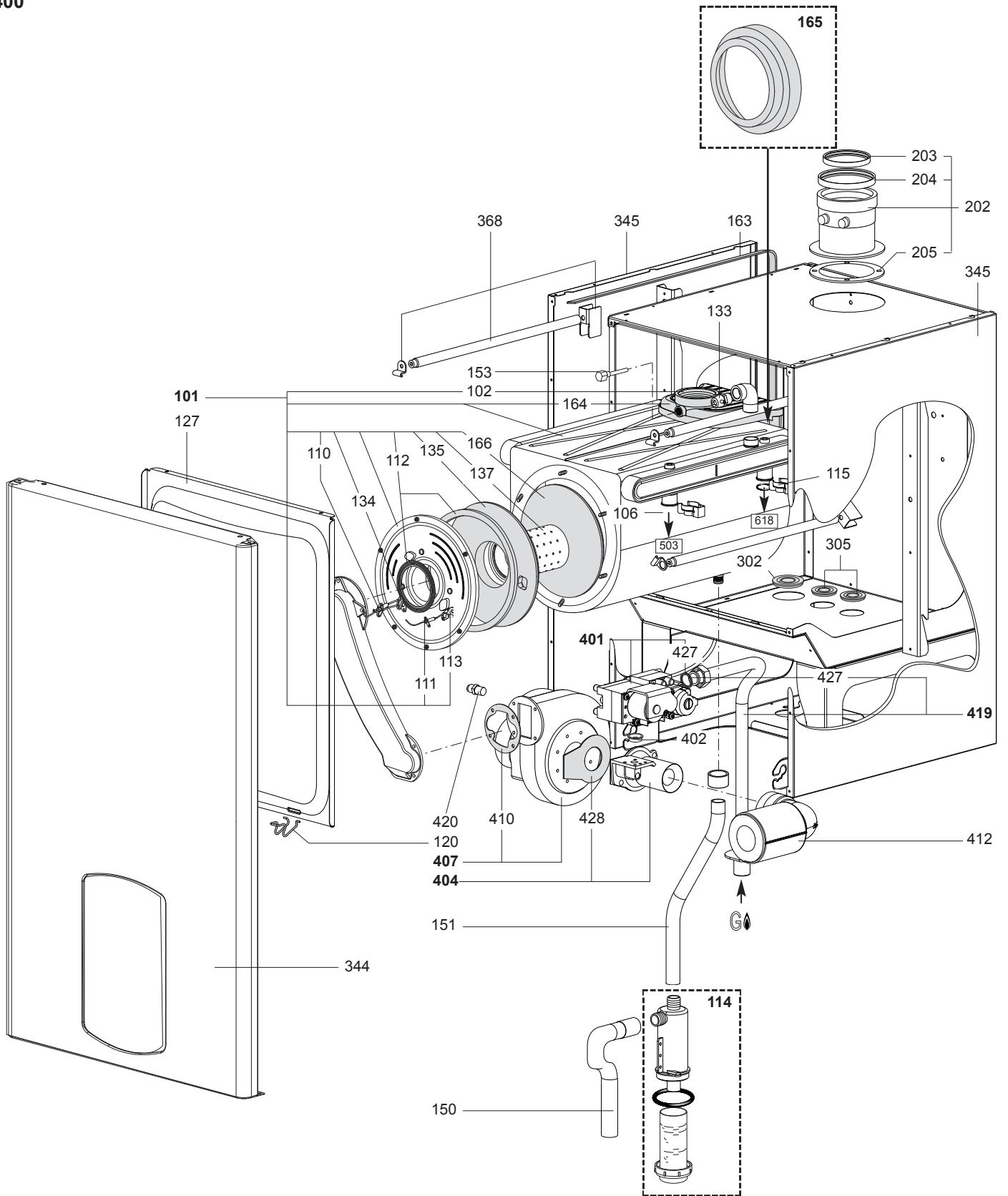
# SPARE PARTS EXPLODED VIEW GAS WALL BOILERS

Model

## **TALIA GREEN SYSTEM HP**

R8216281-07 - 21/03/2013

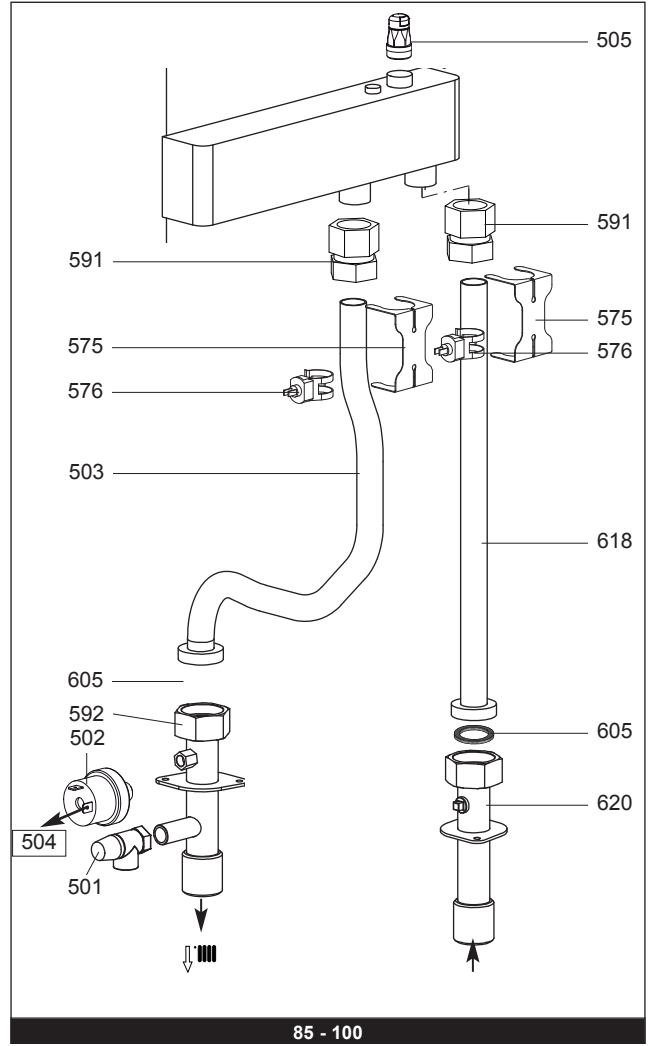
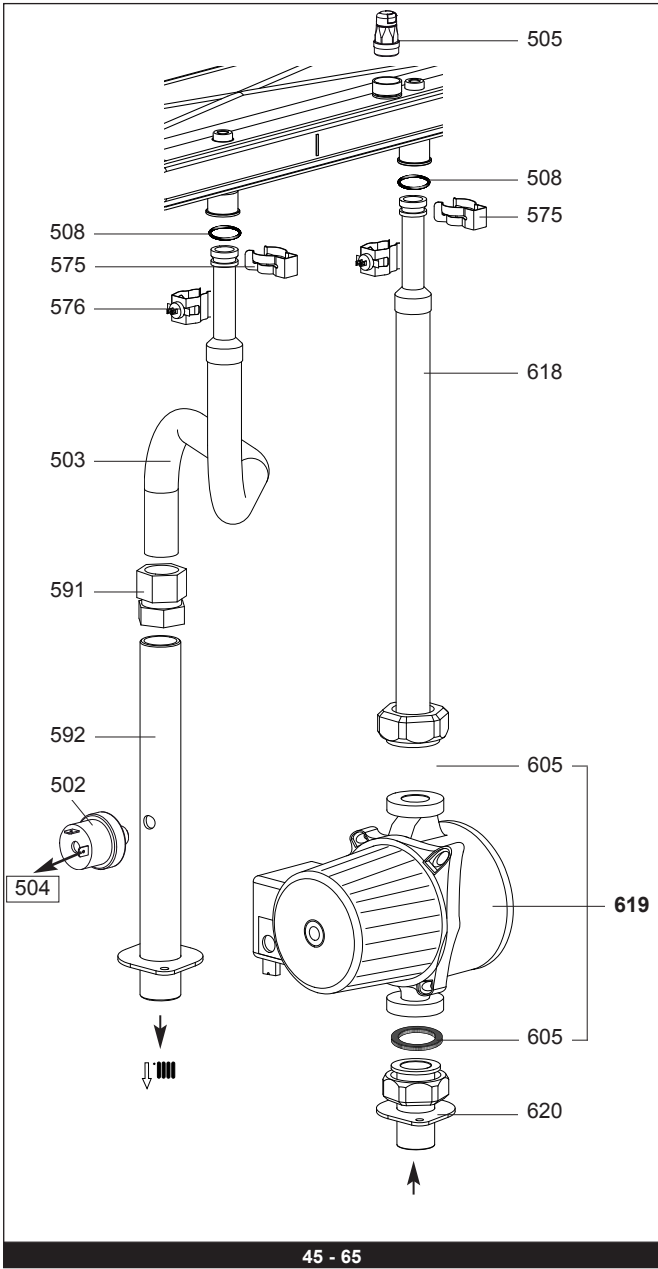
1	3580768	TALIA GREEN HP 45KW IT/FR	01-2009	12-2010
1	3581093	TALIA GREEN SYSTEM HP 45KW	06-2010	-
2	3580769	TALIA GREEN HP 65KW IT/FR	02-2009	12-2010
2	3581094	TALIA GREEN SYSTEM HP 65KW	07-2008	-
3	3580982	TALIA GREEN SYSTEM HP 85FF	10-2009	12-2010
3	3581095	TALIA GREEN SYSTEM HP 85KW	06-2010	-
4	3580983	TALIA GREEN SYSTEM HP 100KW IT/FR/BE	10-2009	12-2010
4	3581096	TALIA GREEN SYSTEM HP 100KW	06-2010	-
Col	Reference	Model type	Begin	End



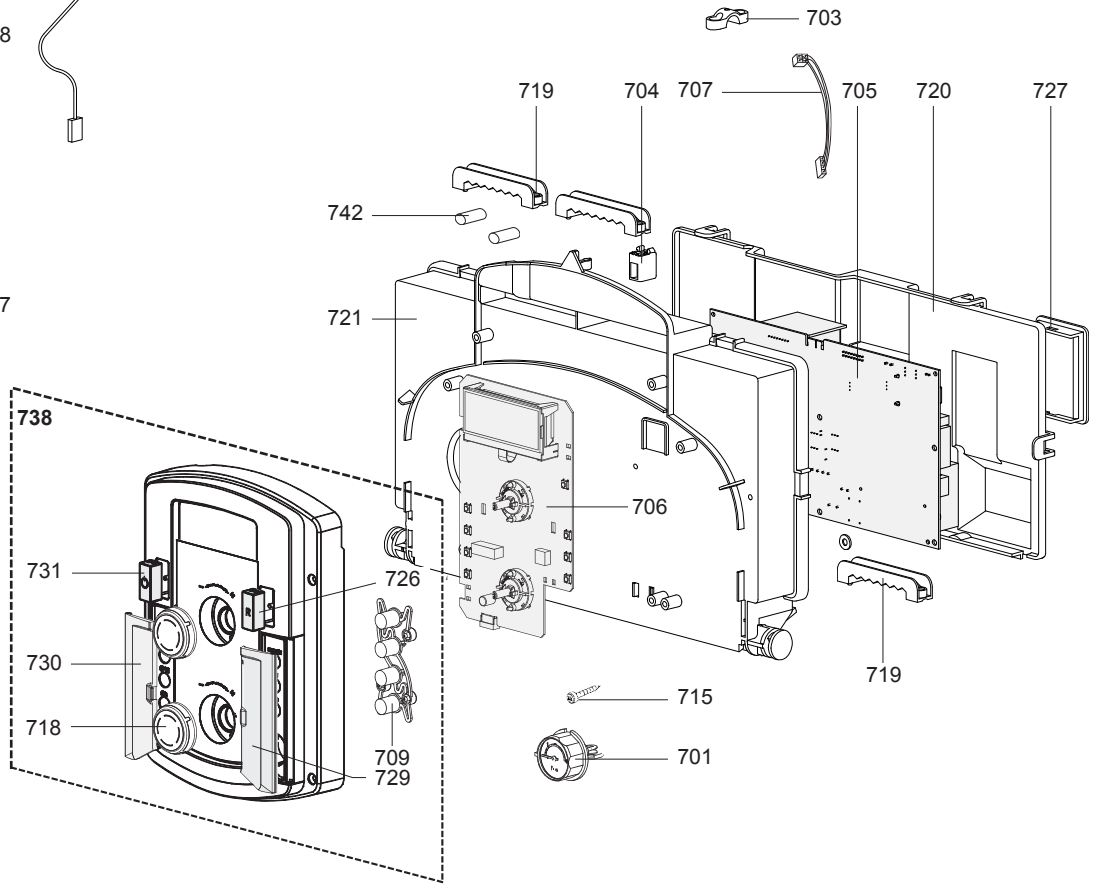
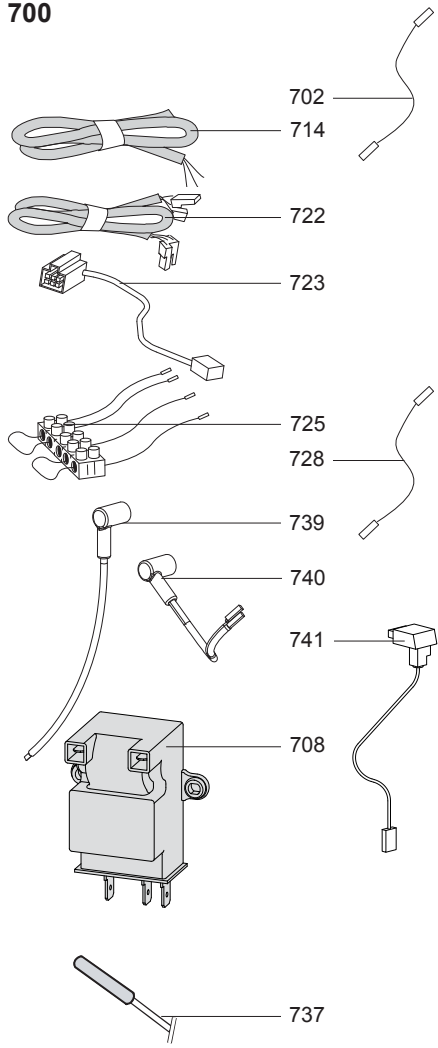
☉⇒	Description	Manf. Pt. N	Type	<div style="display: flex; justify-content: space-between; align-items: center;"> <div style="writing-mode: vertical-rl; transform: rotate(180deg); font-size: 8px;"> TALIA GREEN HP 45KW  TALIA GREEN HP 65KW  TALIA GREEN HP 85KW  TALIA GREEN HP 100KW </div> <div style="border: 1px solid black; padding: 2px;">31</div> </div>																	
				1	2	3	4	5	6	7	8	9	10	11	12	13	14	15	16	17	18
<b>0100</b>	<b>BURNER ASSEMBLY</b>																				
0101	HEAT EXCHANGER 45Kw	65107344		●																	
	HEAT EXCHANGER 65Kw	65107347			●																
0102	GASKET (/Heat exchanger)	64201775		●	●																
0106	O RING D:39.45-1.788	65107364		●	●																
0110	IGNITION ELECTRODE	61317432		●	●																
0111	IONIZATION ELECTRODE	65107363		●	●																
0112	DOOR GASKET	60000672-01		●	●																
0113	GASKET (ELECTRODE)	65103476		●	●																
0114	TRAP	64201332		●	●																
0115	CLIP	65107379		●	●																
0120	SPRING FRONT PANEL (KIT)	65107048		●	●																
0127	PANEL (FRONT - SEALED CHAMBER)	65105679		●	●																
0133	MANUAL AIR VENT	65107343		●	●																
0134	GASKET (ELECTRODE)	65103367		●	●																
0135	COMBUSTION CHAMBER LINING	64200501		●	●																
0137	BURNER 45Kw	65107367		●																	
	BURNER 65KW	65107368			●																
0150	DISCHARGE PIPE (CONDENSATE)	65107351		●	●																
0151	DISCHARGE PIPE (CONDENSATE)	65107352		●	●																
0153	FLUE GAS SENSOR	65107342		●	●																
0163	GASKET 12X3X20000 mm NEOPR.	12016166		●	●																
0164	EXCHANGER SUPPORT	65107366		●	●																
0165	EXCHANGER GASKET	65107365		●	●																
0166	COMBUSTION CHAMBER LINING	64200500		●	●																
<b>0200</b>	<b>FAN ASSEMBLY</b>																				
0202	ADAPTER	65107369		●	●																
0203	GASKET D:80	64201777		●	●																
0204	GASKET D:125	64201776		●	●																
0205	BLACK GASKET D:168-126-2	64201774		●	●																
<b>0300</b>	<b>SEALED CASE</b>																				
0302	GASKET	65107341		●	●																
0305	GASKET (/ Flue bend turret)	64200254		●	●																
0344	CASE PANEL (FRONT)	60000719		●	●																
0345	SIDE PANEL (L.H. SIDE)	65107362		●	●																
0368	FIXING KIT	65107349		●	●																
<b>0400</b>	<b>GAS SECTION</b>																				
0401	GAS VALVE	65000261		●	●																
0402	GASKET	12076699		●	●																
0404	VENTURI	65000269			●																
	VENTURI 45Kw	65107345		●																	
0407	FAN ASSY	64280528			●																
	FAN ASSY	65107346		●																	
0410	GASKET	65000350		●	●																
0412	SILENCER	64200261		●	●																
0419	GAS PIPE 45Kw	65107357		●																	
	GAS PIPE 65KW	65107359			●																
0420	TEST POINT 1/8	64211101		●	●																
0427	SHEET GASKET D: 24-17-2	64201915		●	●																
0428	GASKET	64201334		●	●																



☉⇒	Description	Manf. Pt. N	Type	<div style="display: flex; justify-content: space-between; align-items: center;"> <div style="writing-mode: vertical-rl; transform: rotate(180deg); font-size: 8px;"> TALIA GREEN HP 43Kw  TALIA GREEN HP 65Kw  TALIA GREEN HP 85Kw  TALIA GREEN HP 100Kw </div> <div style="border: 1px solid black; padding: 2px;">31</div> </div>																	
				1	2	3	4	5	6	7	8	9	10	11	12	13	14	15	16	17	18
<b>0100</b>	<b>BURNER ASSEMBLY</b>																				
0101	HEAT EXCHANGER 100Kw	64201311					●														
	HEAT EXCHANGER 85Kw	64200245				●															
0110	IGNITION ELECTRODE + GASKET	64201338				●	●														
0111	IONIZATION ELECTRODE+GASKET	64201339				●	●														
0112	DOOR GASKET	60000672-01				●	●														
0113	GASKET IGNITION ELECTRODE	64200992				●	●														
0114	TRAP	64201332				●	●														
0116	ELECTRODE IGNITION CABLE	64201658				●	●														
0117	IONIZATION ELECTRODE CABLE	64201657				●	●														
0118	TRANSFORMER ZAG2 10Va	64201912				●	●														
0133	AIR SEPARATOR	64200953				●	●														
0134	GASKET (ELECTRODE)	64200993				●	●														
0135	COMBUSTION CHAMBER LINING	64200501				●	●														
0137	DOOR ASSY	64201335					●														
	DOOR ASSY	64201337					●														
0150	DISCHARGE PIPE (CONDENSATE)	65107351				●	●														
0151	DISCHARGE PIPE (CONDENSATE)	65107352				●	●														
0153	FLUE GAS SENSOR	65107342				●	●														
0166	COMBUSTION CHAMBER LINING	64200500				●	●														
0167	GASKET	65000092				●	●														
<b>0200</b>	<b>FAN ASSEMBLY</b>																				
0203	GASKET	64200264					●	●													
0204	GASKET (/ Flue bend turret)	64200254					●	●													
<b>0300</b>	<b>SEALED CASE</b>																				
0303	FASTENER KIT SIDE PANEL	12077007					●	●													
0344	CASE PANEL (FRONT)	64201567					●	●													
0345	LEFT SIDE PANEL	65107907					●	●													
0346	INSULATION SIDE PANEL	64201652					●	●													
0347	INSULATION FRONT PANEL	64201651					●	●													
0348	RIGHT SIDE PANEL	65107906					●	●													
<b>0400</b>	<b>GAS SECTION</b>																				
0401	GAS VALVE	65000261					●	●													
0402	GASKET	12076699					●	●													
0403	CABLE (GAS VALVE)	65107360					●	●													
0404	VENTURI	65000268					●	●													
0407	FAN ASSY	64280528					●	●													
0410	GASKET	65000350					●	●													
0412	SILENCER	64200262					●	●													
0419	SET GAS PIPE	65107901					●	●													
0420	TEST POINT 1/8	64211101					●	●													
0427	SHEET GASKET D: 24-17-2	64201915					●	●													
0428	GASKET	64201334					●	●													

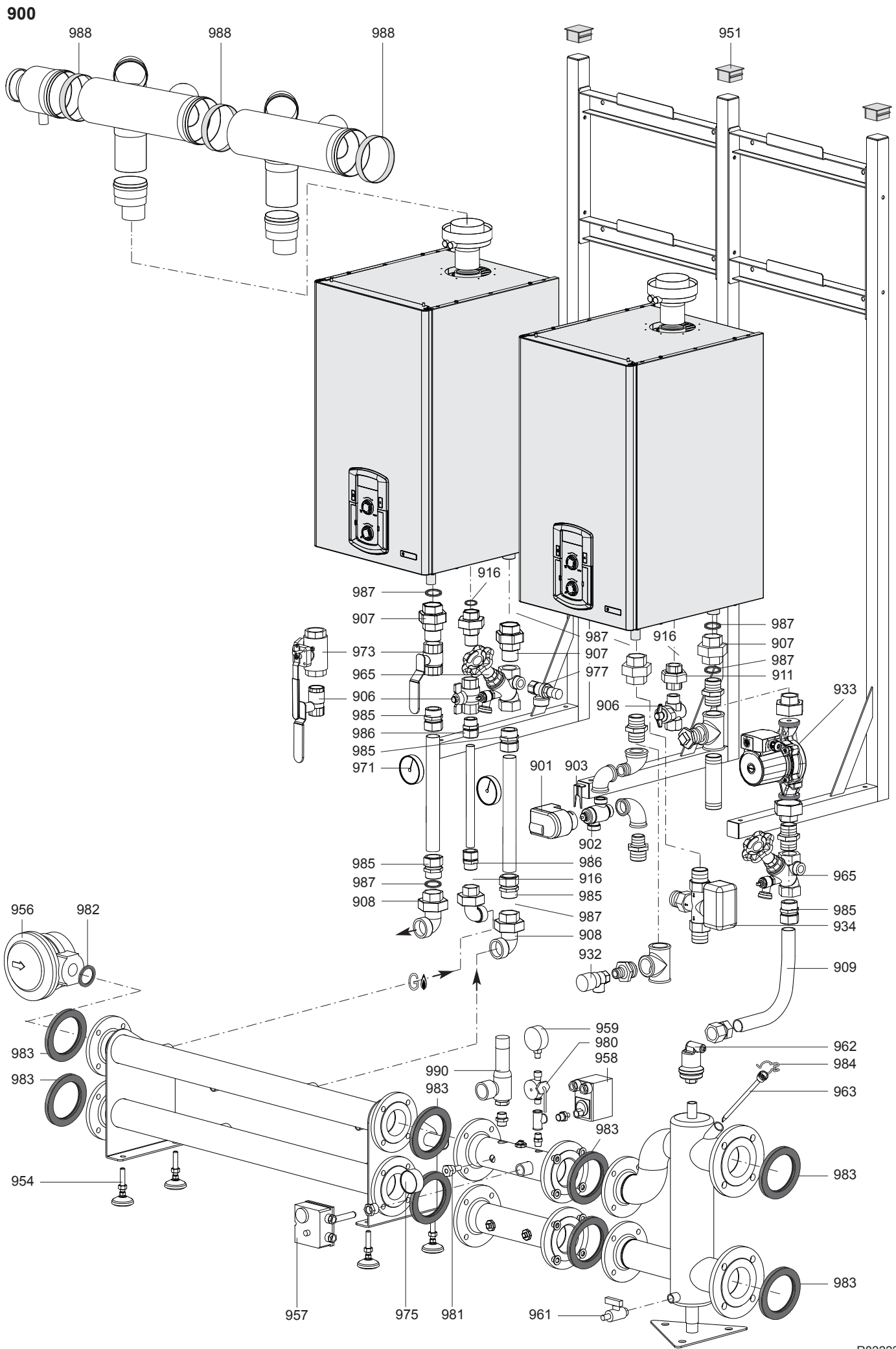


☉⇒	Description	Manf. Pt. N	Type	<div style="display: flex; justify-content: space-between; align-items: center;"> <div style="writing-mode: vertical-rl; transform: rotate(180deg); font-size: 8px;"> TALIA GREEN HP 45KW  TALIA GREEN HP 65KW  TALIA GREEN HP 85KW  TALIA GREEN HP 100KW </div> <div style="border: 1px solid black; padding: 2px;">31</div> </div>																	
				1	2	3	4	5	6	7	8	9	10	11	12	13	14	15	16	17	18
<b>0500</b>	<b>FLOW GROUP</b>																				
0501	PRESSURE RELIEF VALVE 3.5 BARS 1/2	64201662					●	●													
0502	LOW WATER PRESSURE SWITCH	995903		●	●	●	●														
0503	PIPE (C.H. FLOW)	65107894					●	●													
	PIPE (C.H. FLOW) 45Kw	65107354		●																	
	PIPE (C.H. FLOW) 65KW	65107358			●																
0504	CABLE	64201835		●	●	●	●														
0505	MANUAL AIR VENT	65107343		●	●	●	●														
0508	O RING D:39.45-1.788	65107364		●	●																
0575	CLIP	65107379		●	●																
	CLIP FOR WATER SENSOR	64201655					●	●													
0576	FLOW/RETURN SENSOR	64201656					●	●													
	TEMPERATURE PROBE + CLIP	990686		●	●																
0591	UNION	64201314		●	●	●	●														
0592	FLOW CONNECTION	64201661					●	●													
	FLOW CONNECTION	65107353		●	●																
<b>0600</b>	<b>RETURN GROUP</b>																				
0605	GASKET 1"1/2 D:44-32-2	12013460		●	●	●	●														
0618	PIPE (C.H. RETURN)	64200249					●	●													
	PIPE (C.H. RETURN)	65107355		●	●																
0619	PUMP	65107350		●	●																
0620	PIPE (C.H. RETURN)	64201660					●	●													
	PIPE (C.H. RETURN)	65107356		●	●																





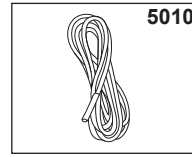
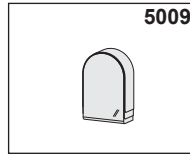
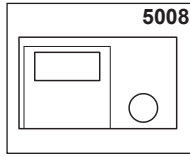
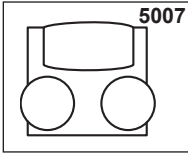
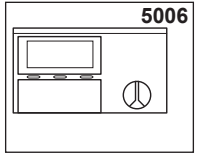
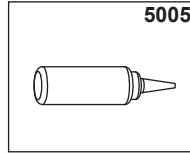
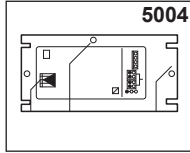
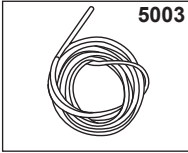
☉⇒	Description	Manf. Pt. N	Type	<div style="display: flex; justify-content: space-between; align-items: center;"> <div style="transform: rotate(-45deg); font-size: small;">           TALIA GREEN HP 43KW            TALIA GREEN HP 65KW            TALIA GREEN HP 85KW            TALIA GREEN HP 100KW         </div> <div style="border: 1px solid black; padding: 2px;">31</div> </div>																	
				1	2	3	4	5	6	7	8	9	10	11	12	13	14	15	16	17	18
0700	ELECTRICAL BOX																				
0701	PRESSURE GAUGE	65107386		•	•	•	•														
0702	EARTH WIRE	65107388		•	•	•	•														
0703	CABLE CLAMP	571562		•	•	•	•														
0704	PUSH	65104228		•	•	•	•														
0705	P.C.B. (MAIN)	65107391		•	•	•	•														
0706	PRINTED CIRCUIT BOARD (DISPLAY)	60000760-02		•	•	•	•														
0707	DISPLAY WIRING	60000746		•	•	•	•														
0708	TRANSFORMER ZAG2 10Va	64201912		•	•	•	•														
0709	PUSH BUTTON	60000978		•	•	•	•														
0714	FEEDER 240V	60000542		•	•	•	•														
0715	TAPPING SCREW TCBL D:4 L:10	61020509		•	•	•	•														
0718	KNOB	60000762		•	•	•	•														
0719	CABLE CLAMP	65103377		•	•	•	•														
0720	CONTROL PANEL COVER (REAR)	65104293		•	•	•	•														
0721	CONTROL PANEL	65104300		•	•	•	•														
0722	CABLE (TEMPERATURE PROBE)	65107389		•	•	•	•														
	HEAT SENSOR CABLE	65107390			•	•	•														
	HIGH VOLTAGE WIRING	65107387		•																	
	HIGH VOLTAGE WIRING	65107392			•	•	•														
	PUMP 2V CABLE 5M	65104520		•	•	•	•														
0723	PUMP CABLE	64201659				•	•														
0725	ROOM THERMOSTAT CABLE	60001253		•	•	•	•														
0726	BUTTON (RESET)	60000806		•	•	•	•														
0727	INSPECTION COVER	65104294		•	•	•	•														
0728	EARTH CABLE (SPARK GENERATOR)	65107361		•	•	•	•														
0729	RIGHT HAND DOOR	60000759		•	•	•	•														
0730	LEFT HAND DOOR	60000761		•	•	•	•														
0731	PUSH BUTTON ON/OFF	60000809		•	•	•	•														
0737	BOILER THERMISTOR TEMP. SENSOR	60000454		•	•	•	•														
0738	FRONT CONTROL PANEL COMPLETE	60000805		•	•	•	•														
0739	IONIZATION ELECTRODE CABLE	64201657				•	•														
0740	ELECTRODE IGNITION CABLE	64201658				•	•														
0741	CABLE (GAS VALVE)	65107360		•	•	•	•														
0742	GASKET D:7	65105089		•	•	•	•														



☉⇒	Description	Manf. Pt. N	Type	<div style="display: flex; justify-content: space-between; align-items: center;"> <div style="writing-mode: vertical-rl; transform: rotate(180deg); font-size: 8px;"> TALIA GREEN HP 43KW  TALIA GREEN HP 65KW  TALIA GREEN HP 85KW  TALIA GREEN HP 100KW </div> <div style="border: 1px solid black; padding: 2px;">31</div> </div>																	
				1	2	3	4	5	6	7	8	9	10	11	12	13	14	15	16	17	18
0900	JIG PLATE & PIPE FITTING																				
0901	MOTOR - THREE-WAY VALVE	64201671		•	•																
0902	GOVERNOR BODY	64201672		•	•																
0903	CLIP VJ-100B	64201673		•	•																
0906	TAP BUTTERFLY 3/4" F-F	64201664		•	•	•	•														
	TAP BUTTERFLY 3/4" M-F	64201665		•	•	•	•														
	TAP HAND LEVER 3/4" F-F	65107372		•	•	•	•														
0907	CONNECTION F/F 1"	64201681		•	•																
	CONNECTION M/F 1"	64201679		•	•																
0908	ELBOW CONNECTION 1" F	64201680		•	•																
0909	FLEXIBLE PIPE 1" L:600mm	64201678				•	•														
0911	CONNECTION F/F 3/4	64201682		•	•																
0916	GASKET 3/4	12038584		•	•	•	•														
0932	SAFETY VALVE 1/2 3 BARS	64201923		•	•																
0933	PUMP WILO RSG25/8-2 230V	64201666				•	•														
0934	THREE-WAY VALVE 1" 230V CALEFFI	64201847				•	•														
0951	CAP	65107370		•	•	•	•														
0954	ADJUSTABLE FOOT M12X106	64200820		•	•	•	•														
0956	GAS FILTER GFK40R10-6 1.1/2"	64280123		•	•	•	•														
0957	THERMOSTAT	65070579		•	•	•	•														
0958	PRESSURE SWITCH	65070587		•	•	•	•														
0959	PRESSURE GAUGE	65070582		•	•	•	•														
0961	TAP (1/2 )	64211228		•	•	•	•														
0962	AUTO AIR VENT (SPIROTOP)	17013674		•	•	•	•														
0963	PROBE SHEATH 1/2 D:7.2 L:200mm	17006755		•	•	•	•														
0965	TAP	65107375		•	•	•	•														
0971	THERMOMETER	65107376		•	•	•	•														
0973	TAP HAND LEVER 1" F-F	65107371		•	•	•	•														
	TAP HAND LEVER ADJUSTABLE 1" F-F	64201663		•	•	•	•														
0975	THERMOMETER	65070588		•	•	•	•														
0977	PRESSURE RELIEF VALVE 3 BARS D:3/4	64211301		•	•	•	•														
0980	TAP	65070584		•	•	•	•														
0981	SHEAT (TERMOMETER)	65070580		•	•	•	•														
0982	GASKET D:62-46-2	64201292		•	•	•	•														
0983	SHEET GASKET D:120-70-3	64201425		•	•	•	•														
0984	SPRING	17006766		•	•	•	•														
0985	CONNECTION 1"	65107373		•	•	•	•														
0986	CONNECTION 3/4"	65107374		•	•	•	•														
0987	GASKET 1"1/2 D:44-32-2	12013460		•	•	•	•														
0988	EXCHANGER GASKET D:100mm	12056800				•	•														
	GASKET D:110mm	65107377		•	•																
	GASKET D:160mm	65107378		•	•																
0990	SAFETY DEVICE 3/4	65070581		•	•	•	•														

5000

5001  
Transf. gaz > B/P  
Conv. gaz > LPG  
Trasf. gas > GPL  
Transf. gas > B/P  
Unrustsatz > B/P



TALIA GREEN HP 43KW  
 TALIA GREEN HP 65KW  
 TALIA GREEN HP 85KW  
 TALIA GREEN HP 100KW

31

Description	Manf. Pt. N	Type																		
			1	2	3	4	5	6	7	8	9	10	11	12	13	14	15	16	17	18
<b>5000 ACCESSORIES</b>																				
5001 CONVERSION KIT > LPG	64201566		•	•																
CONVERSION KIT LPG R30/100	12077117						•													
CONVERSION KIT LPG R30/65-85	12077106					•														
5003 HEAT SENSOR CYLINDER	65108306		•	•	•	•														
5004 PRINTED CIRCUIT BOARD (INTERFACE THW-KS)	65108307		•	•	•	•														
5005 STICK A1312	64200600		•	•	•	•														
5006 REMOTE CONTROL	65108308		•	•	•	•														
5007 ROOM THERMOSTAT	65108309		•	•	•	•														
5008 TERMOREGOLATION MAIN CONTROL	65108310		•	•	•	•														
5009 OUTSIDE HEAT SENSOR	65109110		•	•	•	•														
5010 HEAT SENSOR	65104529		•	•	•	•														

## LIST OF THE ABBREVIATIONS

HW .....	: Hot water.
CW .....	: Cold water.
C .....	: Ceramic resistance (normal heating).
Ca .....	: Ceramic resistance (accelerated heating)
TP .....	: Immersion heater.
1F .....	: With fittings.
2F .....	: Without fittings.
3F .....	: With fittings and another outlet connection.
AMI .....	: With mixing valve.
SMI .....	: Without mixing valve.
PUISS .....	: Power of th appliance.
PN .....	: Appliance with normal pression.
LP .....	: Appliance with low pression.
PV .....	: Appliance with variable power.
PF .....	: Appliance with fixed power.

## IDENTIFICATION PLATE

### SERIAL NUMBER

<b>10 Characters :</b>	04 05 125 011		
		Sequential number	
		Manufacturing day	
		Year of manufacture	
<b>11 Characters :</b>	1 95 065004 - 31		
Month of manufacture :		Technical number of the appliance	
from 1 to 9 → Jan. to Sep.,		Sequential number	
O → Oct., N → Nov.,		Year of manufacture	
D → Dec.			
<b>19 Characters :</b>	08 05 0013199 900640031		
Year of manufacture		Product reference	
Month of manufacture		Sequential number	
<b>20 Characters :</b>	3675007 XX 2 07 070 00315		
Product reference		Sequential number	
Millenium of manufacture		Manufacturing day	
		Year of manufacture	
<b>21 Characters :</b>	3675007 XX 07 070 0000315		
Product reference		Sequential number	
Year of manufacture		Manufacturing day	