

SPARE PARTS EXPLODED VIEW  
GAS-WALL CONDENSING BOILERS  
Model  
**TALIA GREEN SYSTEM ULTRA / LINK**

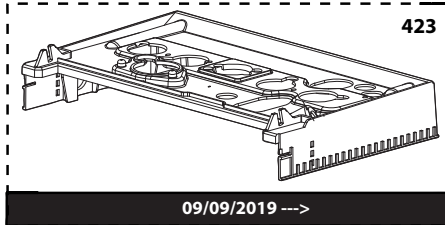
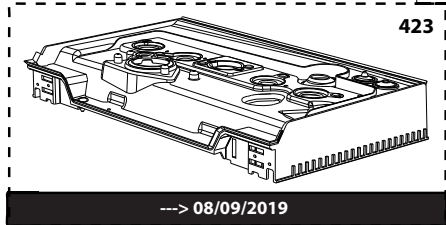
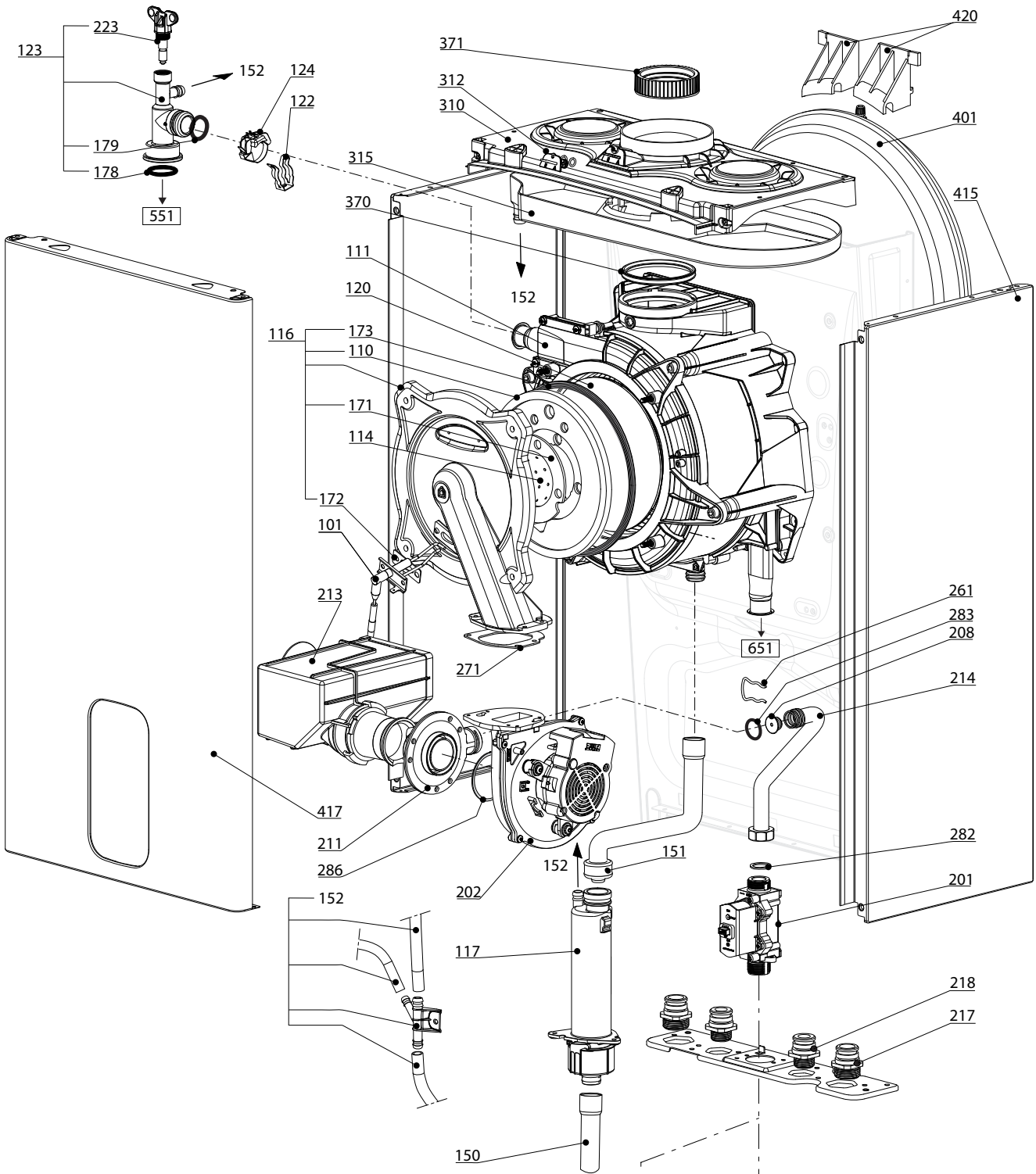
R8203506-06 - 02/03/2022

1	3310585	TALIA GREEN SYSTEM ULTRA 12 FR	03-2018	-
2	3310586	TALIA GREEN SYSTEM ULTRA 18 FR	03-2018	-
3	3310587	TALIA GREEN SYSTEM ULTRA 25 FR	03-2018	-
4	3310588	TALIA GREEN SYSTEM ULTRA 35 FR	03-2018	-
5	3310589	TALIA GREEN SYSTEM LINK 25 FR	03-2018	09-2021
6	3310590	TALIA GREEN SYSTEM LINK 35 FR	03-2018	09-2021
Col	Reference	Model type	Begin	End

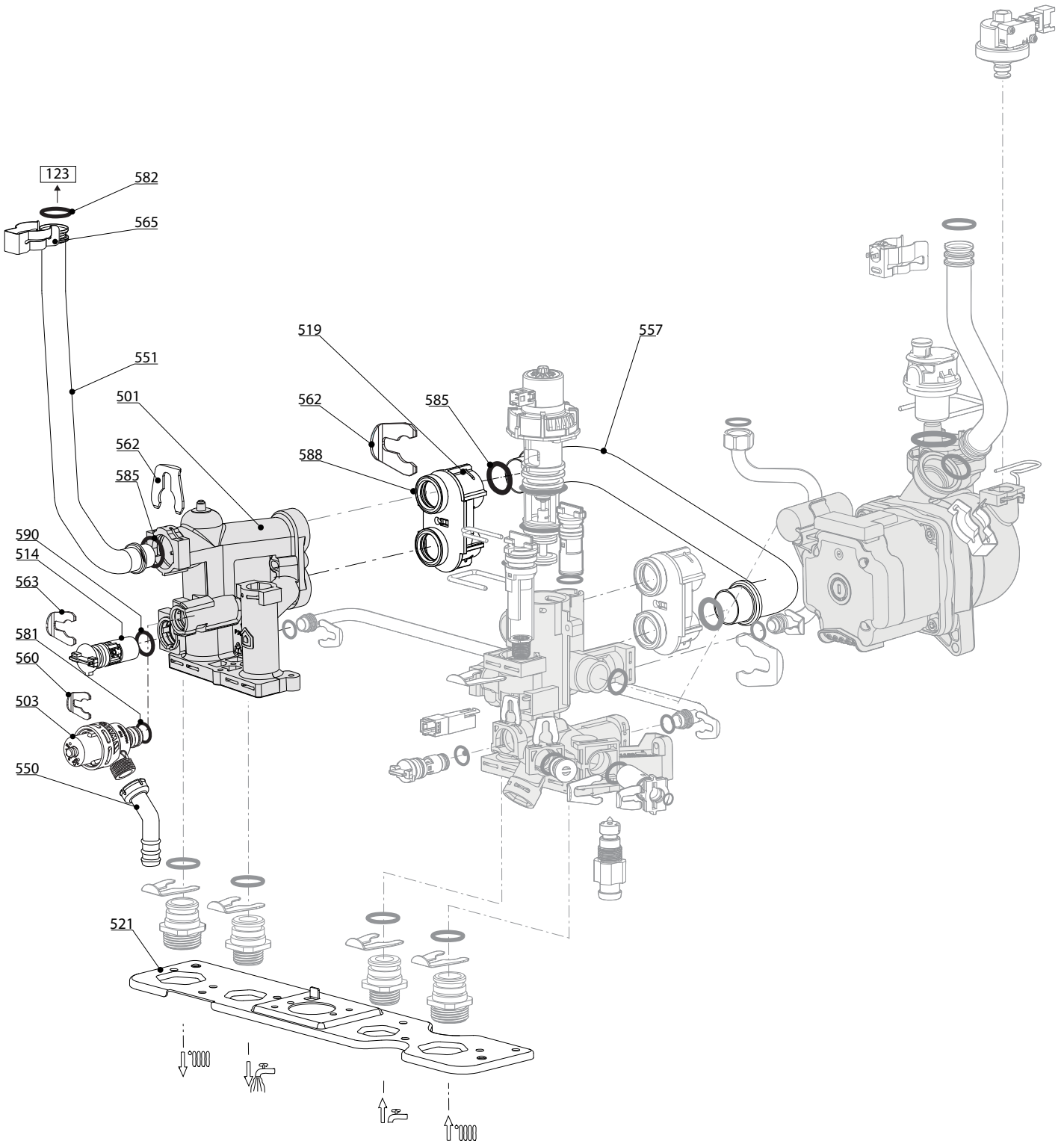
100  
200  
300  
400

TALIA GREEN SYSTEM ULTRA / LINK

Gas-wall condensing boilers



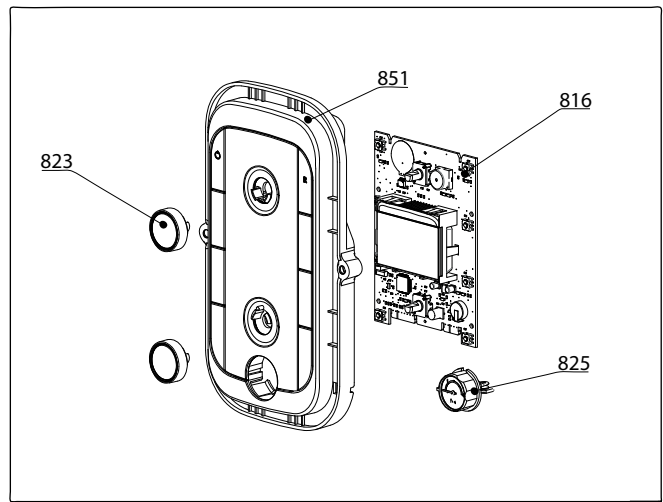
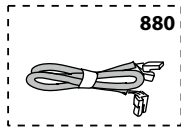
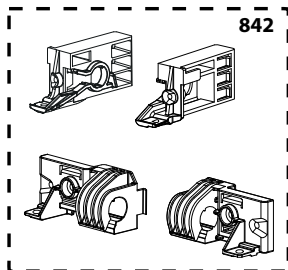
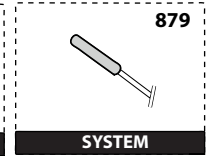
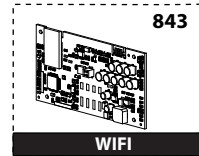
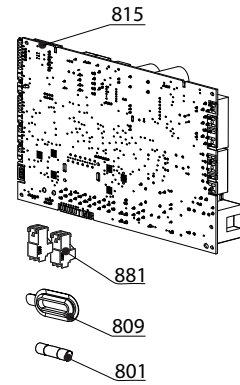
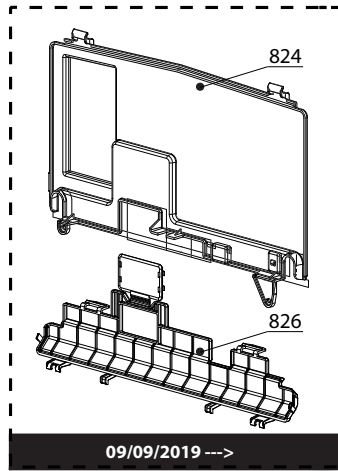
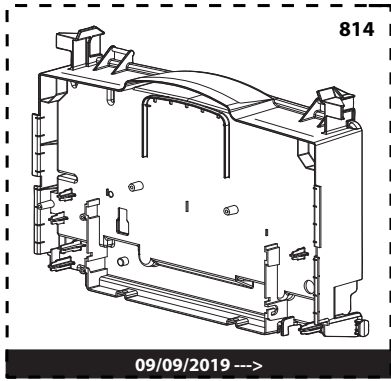
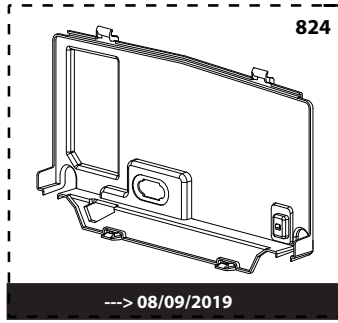
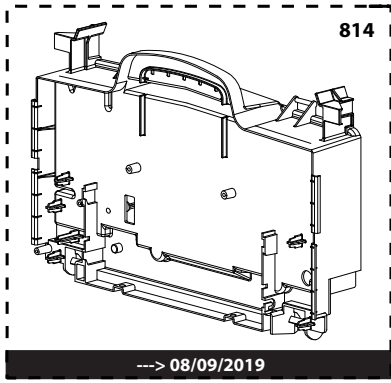












5000

- 5001**
- Gas conv. G20 - G30/31 - G25 - G25,1 - G27 - G230 - G2350
  - Transf. gaz G20 - G30/31 - G25 - G25,1 - G27 - G230 - G2350
  - Trasf. gas G20 - G30/31 - G25 - G25,1 - G27 - G230 - G2350
  - Transf. gas G20 - G30/31 - G25 - G25,1 - G27 - G230 - G2350
  - Flussiggas Umstellset G20 - G30/31 - G25 - G25,1 - G27 - G230 - G2350
  - Ombouwset G20 - G30/31 - G25 - G25,1 - G27 - G230 - G2350

- 5004**
- Gas conv. G130
  - Transf. gaz G130
  - Trasf. gas G130
  - Transf. gas G130
  - Flussiggas Umstellset G130
  - Ombouwset G130

- 5020**
- Accessories
  - Options
  - Opzioni
  - Accessorio
  - Zubehör
  - Opties



☉⇒	Description	Manf. Pt. N	Type	<div style="display: flex; justify-content: space-between; align-items: center;"> <div style="writing-mode: vertical-rl; transform: rotate(180deg); font-size: 8px;">TALIA G. SYS ULTRA 12</div> <div style="writing-mode: vertical-rl; transform: rotate(180deg); font-size: 8px;">TALIA G. SYS ULTRA 18</div> <div style="writing-mode: vertical-rl; transform: rotate(180deg); font-size: 8px;">TALIA G. SYS ULTRA 25</div> <div style="writing-mode: vertical-rl; transform: rotate(180deg); font-size: 8px;">TALIA G. SYS ULTRA 35</div> <div style="writing-mode: vertical-rl; transform: rotate(180deg); font-size: 8px;">TALIA G. SYS LINK 25</div> <div style="writing-mode: vertical-rl; transform: rotate(180deg); font-size: 8px;">TALIA G. SYS LINK 35</div> </div>																		 <b>31</b>	
				1	2	3	4	5	6	7	8	9	10	11	12	13	14	15	16	17	18	From	to
<b>0800</b>	<b>ELECTRICAL BOX</b>																						
0801	FUSE 3.15A 250V FAST	65119775		●	●	●	●	●	●														
0809	GROMMET (PCD TOOL ACCESS)	998382		●	●	●	●	●	●											08/19			
0814	CONTROL PANEL COVER (FRONT)	65116544		●	●	●	●	●	●											08/19			
	CONTROL PANEL COVER (FRONT)	65119642		●	●	●	●	●	●										09/19				
0815	P.C.B. (MAIN)	65116545-05		●	●	●	●	●	●														
0816	P.C.B. (DISPLAY)	60002839-01		●	●	●	●																
	P.C.B. (DISPLAY)	60003008-01						●	●														
0823	BLACK KNOB	60002841						●	●														
	WHITE KNOB	60002840		●	●	●	●																
0824	CONTROL PANEL COVER (REAR - SUPERIOR)	65119643		●	●	●	●	●	●										09/19				
	CONTROL PANEL COVER (REAR)	65116547		●	●	●	●	●	●											08/19			
0825	PRESSURE GAUGE	60002838		●	●	●	●																
	PRESSURE GAUGE	60003009						●	●														
0826	CONTROL PANEL COVER LOWER PART	65119736		●	●	●	●	●	●										09/19				
0842	CONTROL PANEL HINGE	65119641		●	●	●	●	●	●														
0843	P.C.B. (WIFI-REM4)	65120352						●	●														
0851	FRONT CONTROL PANEL COMPLETE	60003006		●	●	●	●																
	FRONT CONTROL PANEL COMPLETE	60003007						●	●														
0879	BOILER THERMISTOR TEMP. SENSOR	60000454		●	●	●	●	●	●														
0880	3-WAY VALVE CABLE	65116815		●	●	●	●	●	●														
	CABLE (FAN)	65116579		●	●	●	●	●	●														
	CABLE (IGNITION ELECTRODE)	65116583		●	●	●	●	●	●														
	DISPLAY WIRING - 5 WIRES BLUES	60000746		●	●	●	●	●	●														
	EARTH WIRE	65104286		●	●	●	●	●	●														
	FEEDER 240V	60001619		●	●	●	●	●	●														
	GAS VALVE CABLE	65116580		●	●	●	●	●	●														
	NTC CABLE	65116717		●	●	●	●	●	●														
	PUMP CABLE HE	65117069		●	●	●	●	●	●														
	WIRING (WI-FI BOARD)	65115826						●	●														
0881	CONNECTOR 2P	65111933		●	●	●	●	●	●														
	CONNECTOR 3P (x5)	65111934-01		●	●	●	●	●	●														
<b>5000</b>	<b>ACCESSORIES</b>																						
5001	BURNER JET KIT G20-G30-G31-G25-G230-G25.	65121178		●	●	●	●	●	●														
5004	BURNER JET FULL KIT NG G130	65117182-01		●	●	●	●																
5020	KIT THERMOREGULATION	65117313-02						●	●														

## LIST OF THE ABBREVIATIONS

HW .....	: Hot water.
CW .....	: Cold water.
C .....	: Ceramic resistance (normal heating).
Ca .....	: Ceramic resistance (accelerated heating)
TP .....	: Immersion heater.
1F .....	: With fittings.
2F .....	: Without fittings.
3F .....	: With fittings and another outlet connection.
AMI .....	: With mixing valve.
SMI .....	: Without mixing valve.
PUISS .....	: Power of th appliance.
PN .....	: Appliance with normal pression.
LP .....	: Appliance with low pression.
PV .....	: Appliance with variable power.
PF .....	: Appliance with fixed power.

## IDENTIFICATION PLATE

### SERIAL NUMBER

<b>10 Characters :</b>	04 05 125 011	
		Sequential number
		Manufacturing day
		Year of manufacture
<b>11 Characters :</b>	1 95 065004 - 31	
Month of manufacture :		Technical number of the appliance
from 1 to 9 → Jan. to Sep.,		Sequential number
O → Oct., N → Nov.,		Year of manufacture
D → Dec.		
<b>19 Characters :</b>	08 05 0013199 900640031	
Year of manufacture		Product reference
Month of manufacture		Sequential number
<b>20 Characters :</b>	3675007 XX 2 07 070 00315	
Product reference		Sequential number
Millenium of manufacture		Manufacturing day
		Year of manufacture
<b>21 Characters :</b>	3675007 XX 07 070 0000315	
Product reference		Sequential number
Year of manufacture		Manufacturing day