

SPARE PARTS EXPLODED VIEW
GAS-WALL CONDENSING BOILERS
Model
URBIA GREEN ULTRA 3CEP

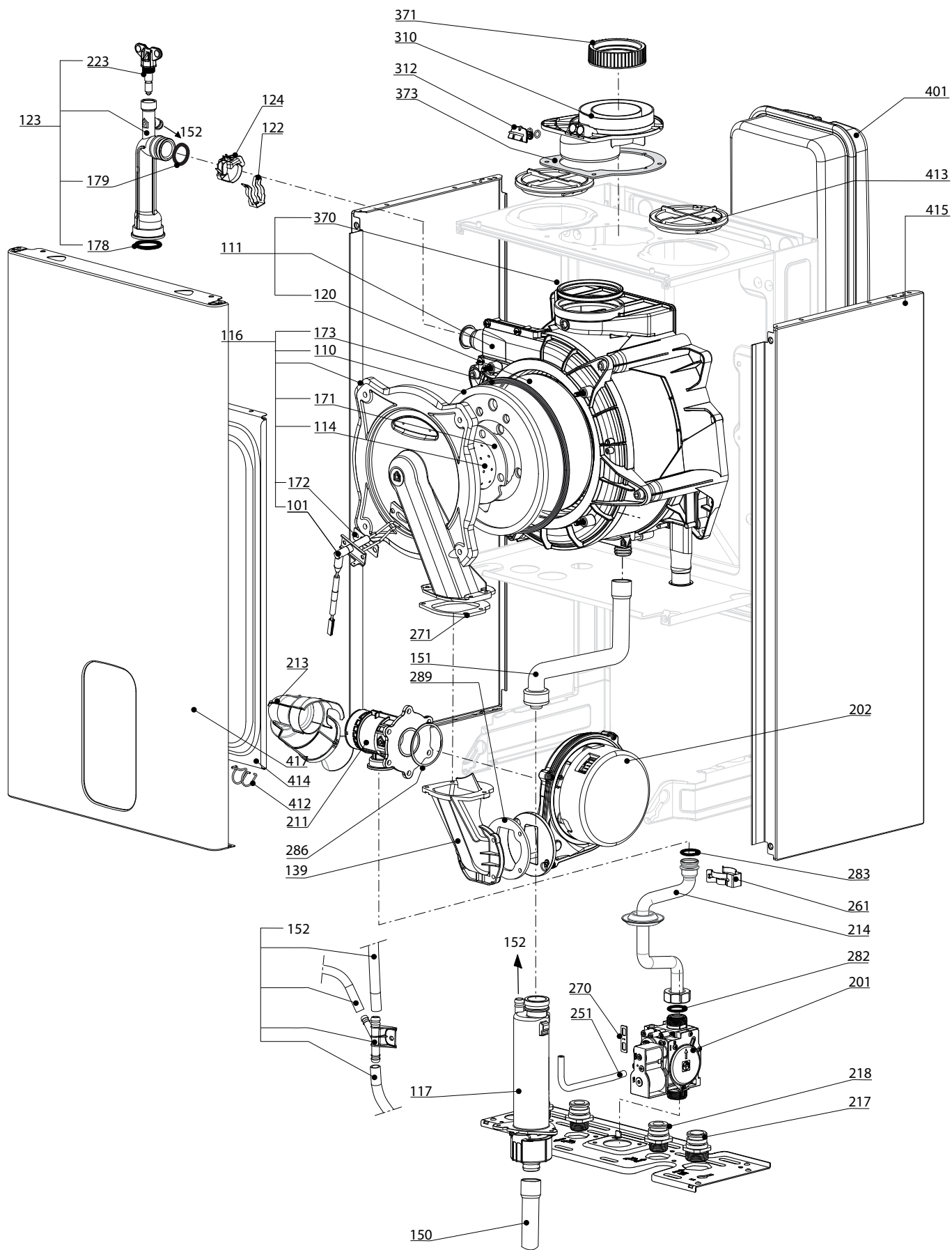
R8203510-07 - 26/07/2023

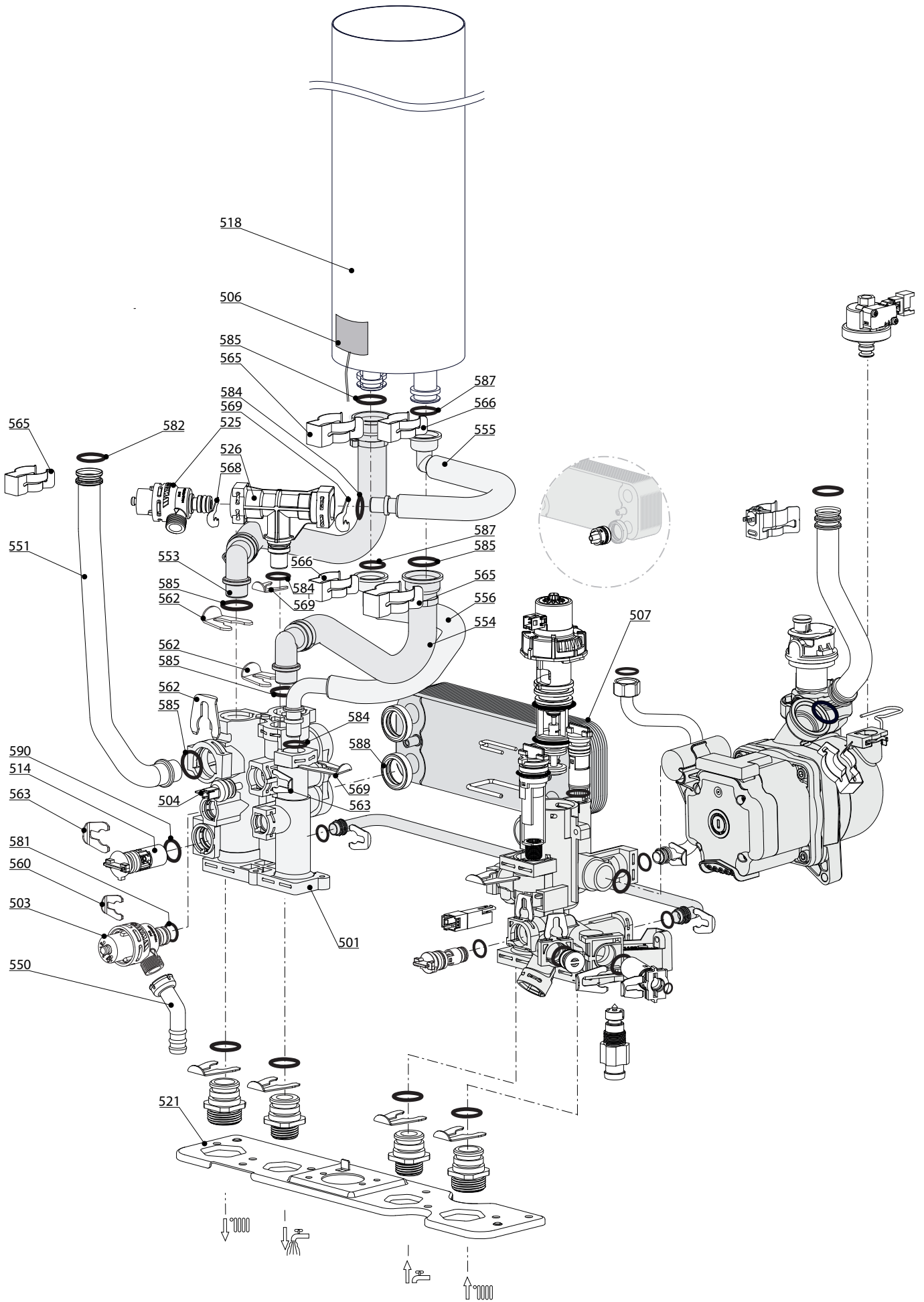
1	3310597	URBIA GREEN ULTRA 25 3CEP FR	12-2017	-
2	3310598	URBIA GREEN ULTRA 30 3CEP FR	12-2017	-
Col	Reference	Model type	Begin	End

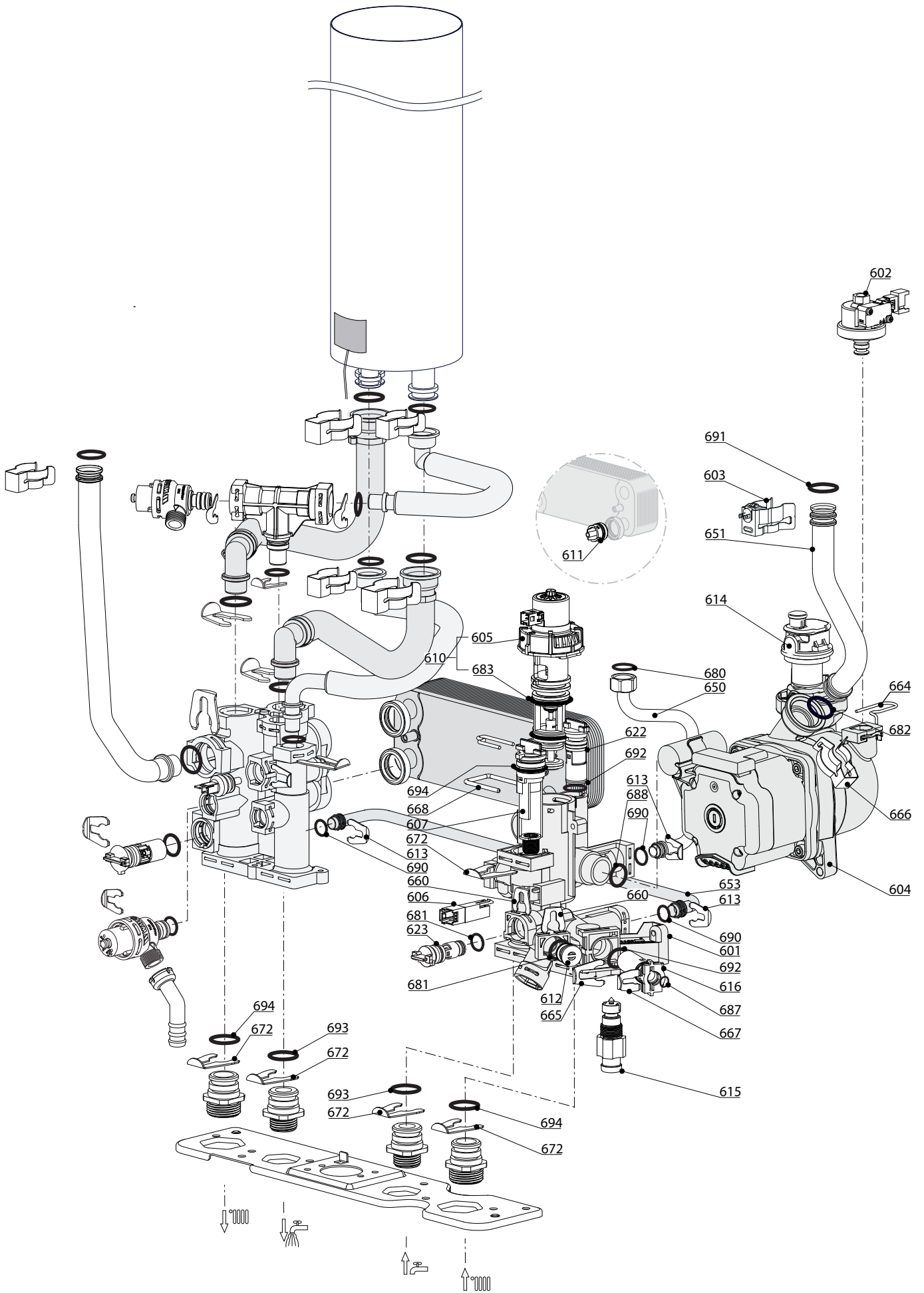
100
200
300
400

URBIA GREEN ULTRA 3CEP

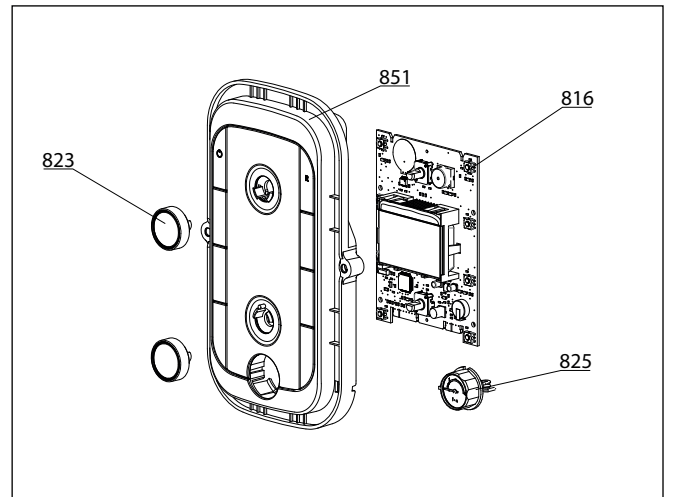
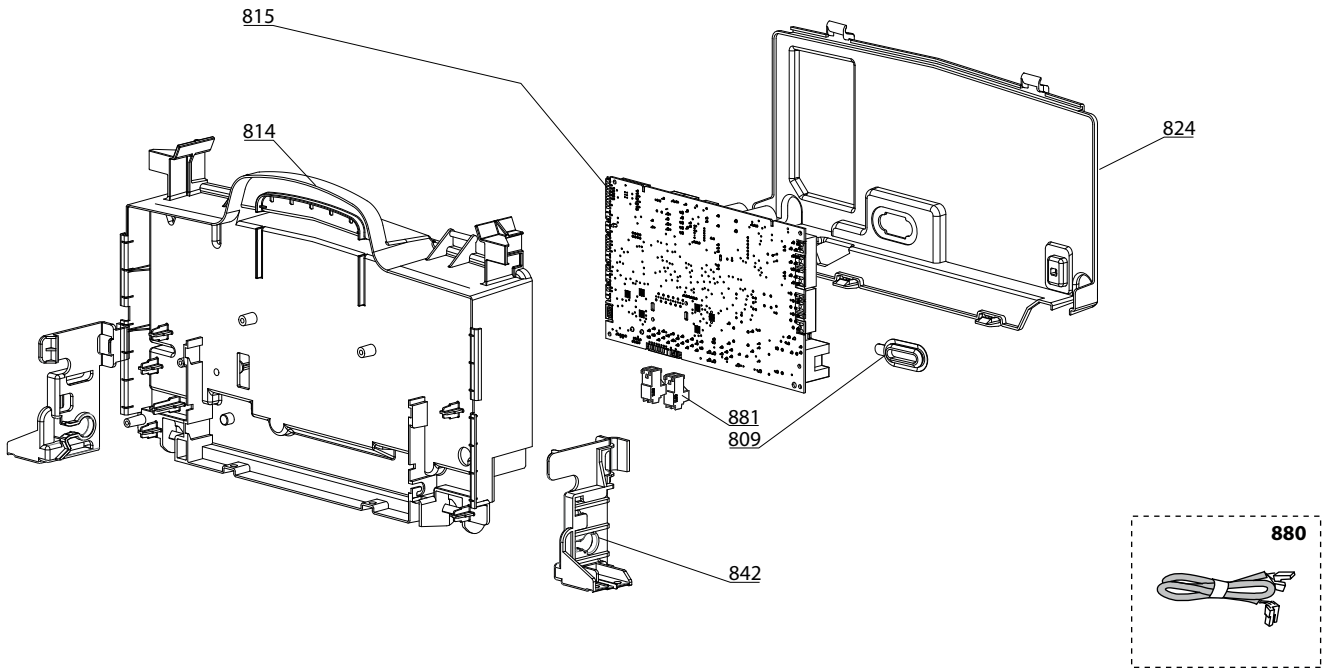
Gas-wall condensing boilers







800



5000

5001
 Transf. gaz
 Conv. gas
 Trsf. gas
 Transf. gas
 > **G31**
 (LPG - GPL)

5002
 Transf. gaz
 Conv. gas
 Trsf. gas
 Transf. gas
 > **G25**
 (NAT - MET)

5020
 Options
 Accessories
 Opzioni
 Accessorio

LIST OF THE ABBREVIATIONS

HW	: Hot water.
CW	: Cold water.
C	: Ceramic resistance (normal heating).
Ca	: Ceramic resistance (accelerated heating)
TP	: Immersion heater.
1F	: With fittings.
2F	: Without fittings.
3F	: With fittings and another outlet connection.
AMI	: With mixing valve.
SMI	: Without mixing valve.
PUISS	: Power of th appliance.
PN	: Appliance with normal pression.
LP	: Appliance with low pression.
PV	: Appliance with variable power.
PF	: Appliance with fixed power.

IDENTIFICATION PLATE

SERIAL NUMBER

10 Characters :	04 05 125 011		
		Sequential number	
		Manufacturing day	
		Year of manufacture	
11 Characters :	1 95 065004 - 31		
Month of manufacture :		Technical number of the appliance	
from 1 to 9 → Jan. to Sep.,		Sequential number	
O → Oct., N → Nov.,		Year of manufacture	
D → Dec.			
19 Characters :	08 05 0013199 900640031		
Year of manufacture		Product reference	
Month of manufacture		Sequential number	
20 Characters :	3675007 XX 2 07 070 00315		
Product reference		Sequential number	
Millenium of manufacture		Manufacturing day	
		Year of manufacture	
21 Characters :	3675007 XX 07 070 0000315		
Product reference		Sequential number	
Year of manufacture		Manufacturing day	