

SPARE PARTS EXPLODED VIEW
GAS-WALL CONDENSING BOILERS

Model

MIRA C GREEN ULTRA

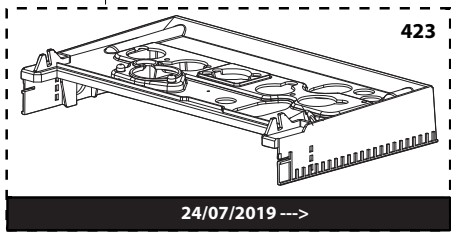
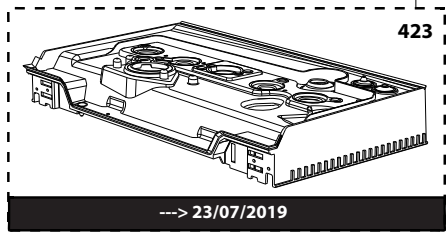
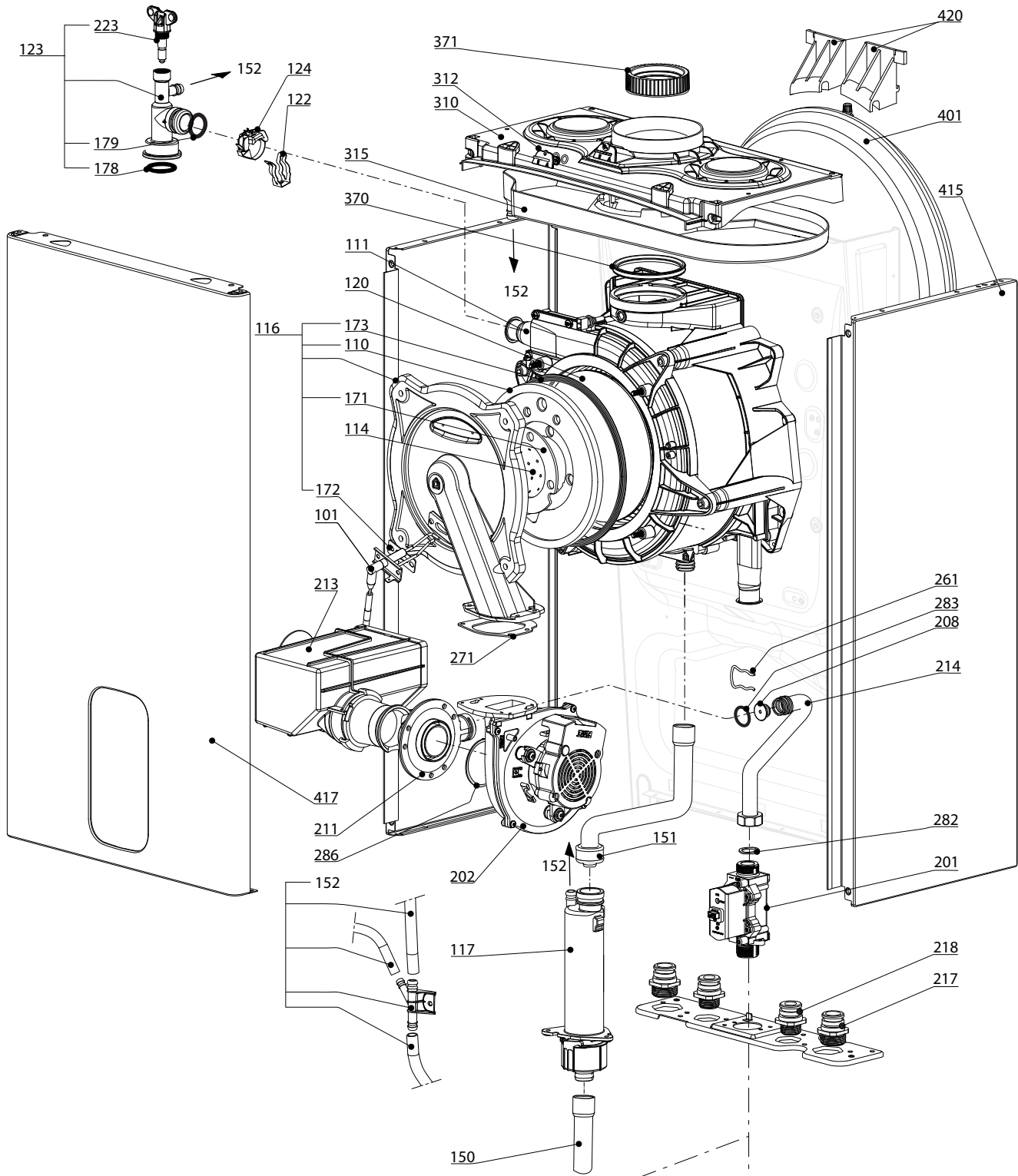
R8203487-10 - 02/03/2022

1	3310543	MIRA C GREEN ULTRA 25 FR	07-2017	-
2	3310544	MIRA C GREEN ULTRA 30 FR	07-2017	-
3	3310545	MIRA C GREEN ULTRA 35 FR	07-2017	-
Col	Reference	Model type	Begin	End

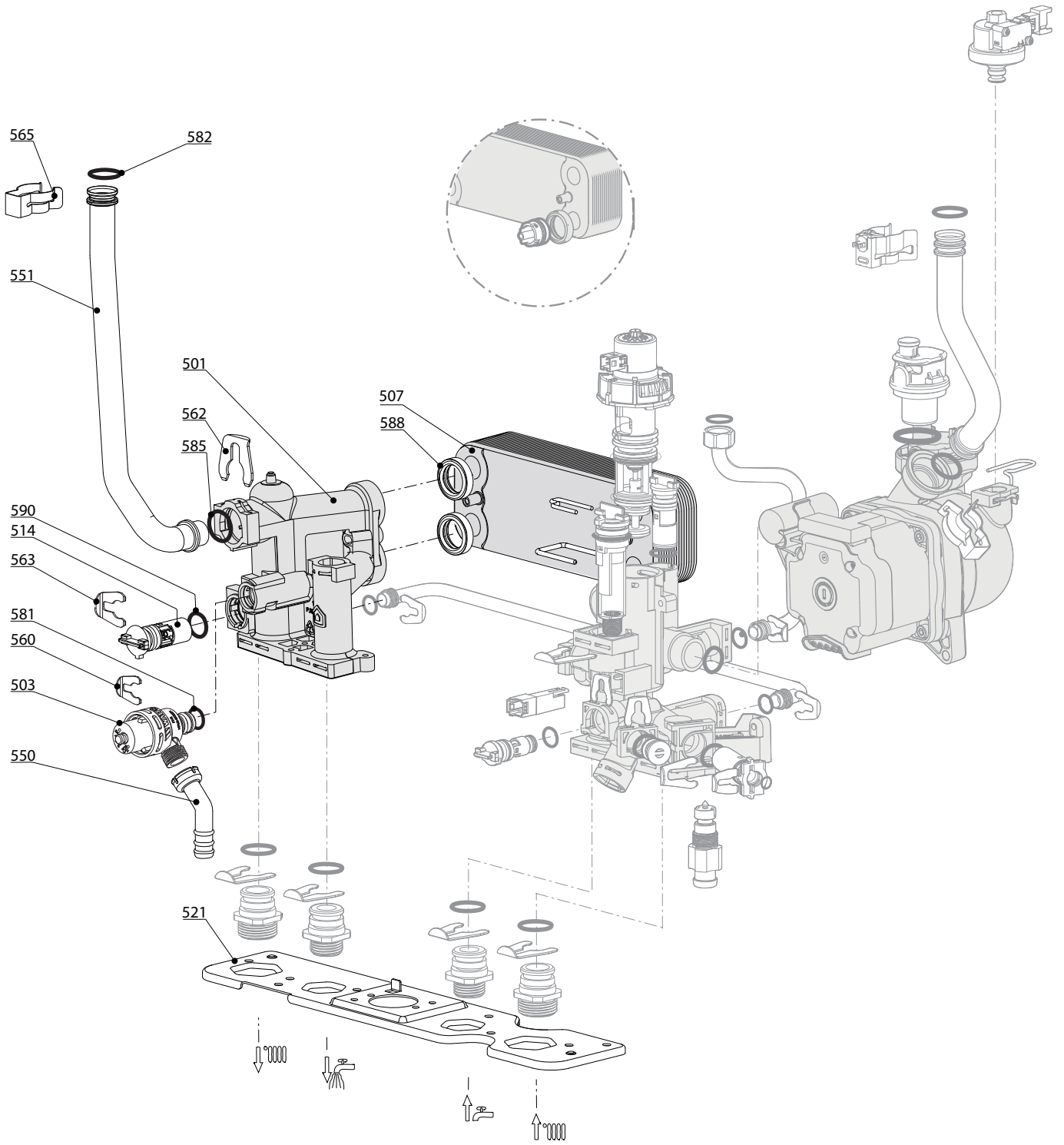
100
200
300
400

MIRA C GREEN ULTRA

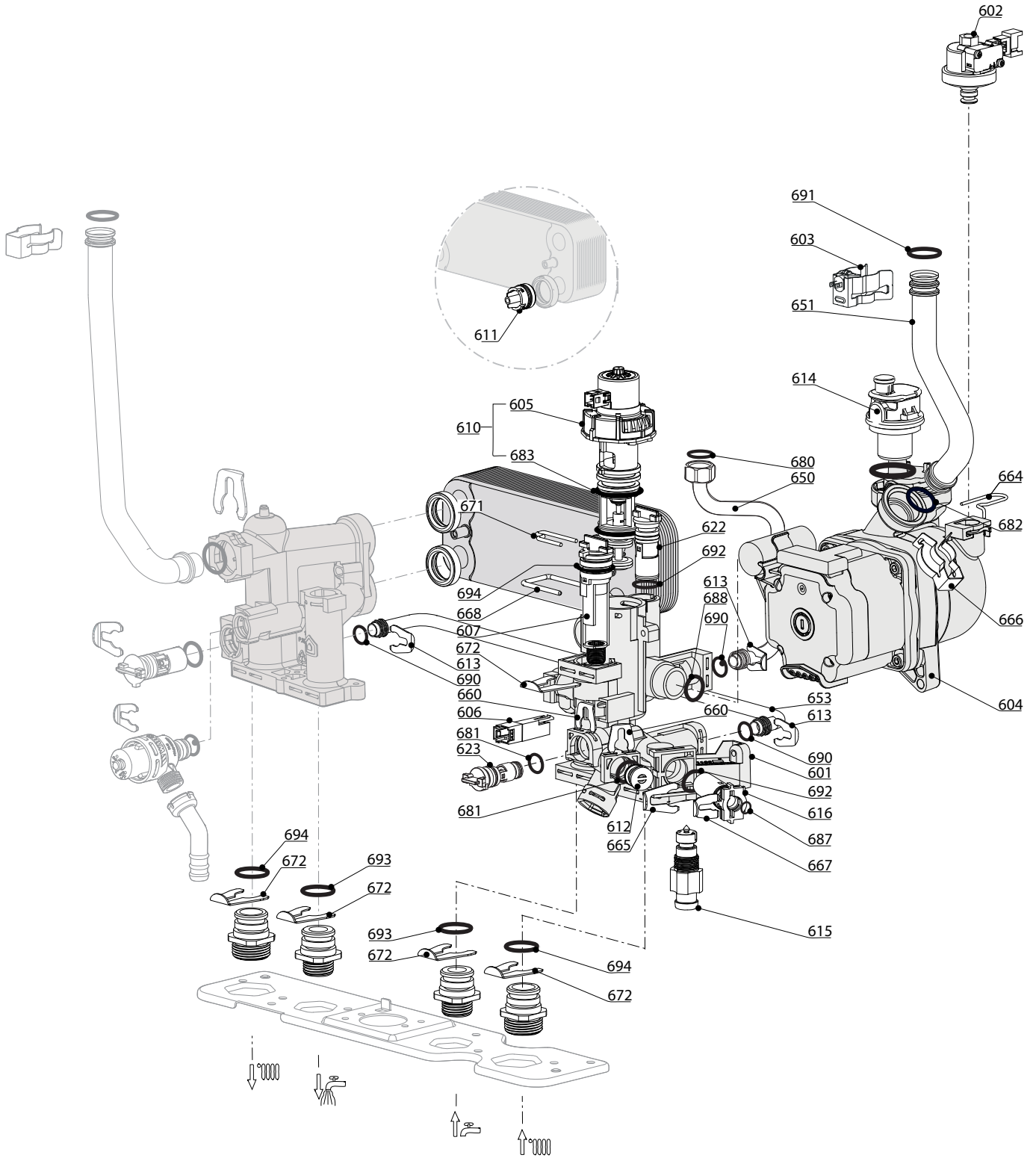
Gas-wall condensing boilers

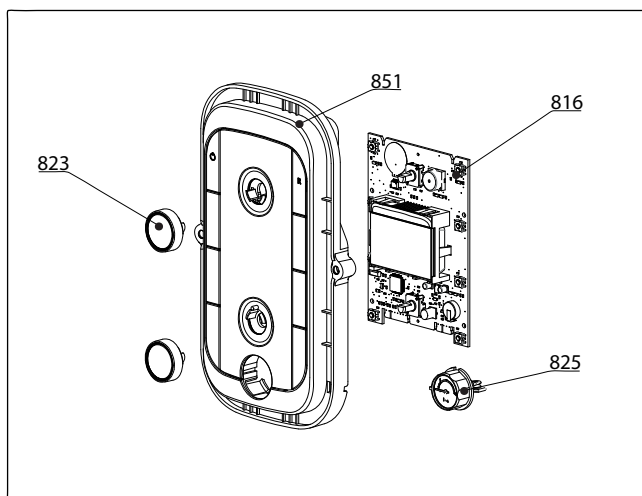
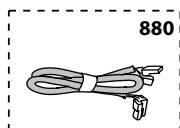
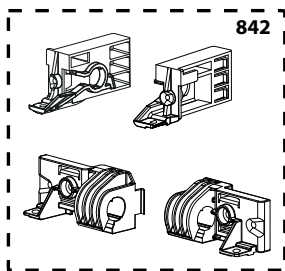
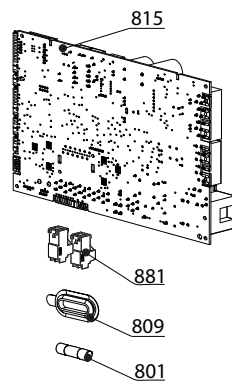
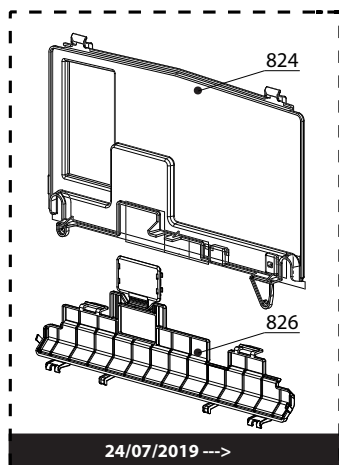
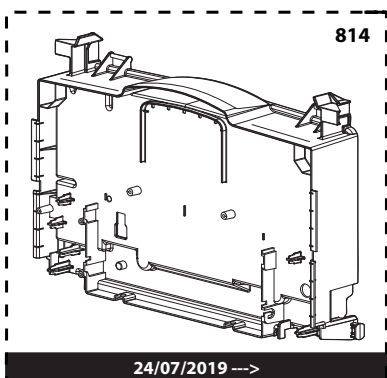
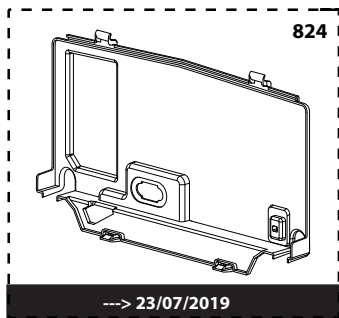
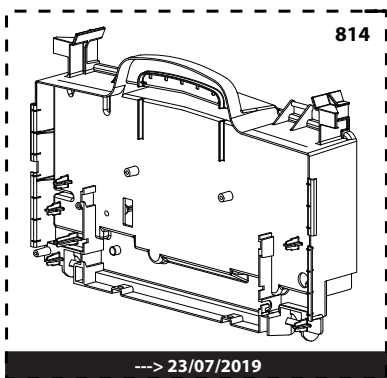


☉⇒	Description	Manf. Pt. N	Type	<div style="display: flex; justify-content: space-between; align-items: center;"> <div style="transform: rotate(-45deg); font-size: small;"> MIRA C.GR. ULTRA 25 MIRA C.GR. ULTRA 30 MIRA C.GR. ULTRA 35 </div> <div style="border: 1px solid black; padding: 2px;"> 31 </div> </div>																		From	to
				1	2	3	4	5	6	7	8	9	10	11	12	13	14	15	16	17	18		
0100	BURNER ASSEMBLY																						
0101	ELECTRODE (IGNITION/IONIZATION)	65116556		●	●	●																	
0110	INSULATION (FRONT PANEL)	65116512		●	●	●																	
0111	EXCHANGER 24KW	65116695-01		●																			
	EXCHANGER 30KW	65116696-01			●																		
	EXCHANGER 35KW	65116697-01				●																	
0114	BURNER 24KW	65116514		●																			
	BURNER 30KW	65116561			●																		
	BURNER 35KW	65116573				●																	
0116	DOOR ASSY	65116515		●	●	●																	
0117	CONDENSATE TRAP	65117391		●	●	●																	
0120	PANEL (INSULATION - REAR)	65116047		●	●	●																	
0122	CLIP	65116517		●	●	●																	
0123	AIR VENT	65116518		●	●	●																	
0124	TEMPERATURE PROBE + CLIP	990686-01		●	●	●																	
0150	PLASTIC PIPE CONDENSATE DRAIN	65117092		●	●	●																	
0151	FLEXIBLE PIPE	65116519		●	●	●																	
0152	CONNECTION Y +TUBES	65117078-01		●	●	●																	
0171	GASKET (BURNER)	65116521		●	●	●																	
0172	GASKET (IGNITION ELECTRODE)	65116263		●	●	●																	
0173	DOOR GASKET	60000623		●	●	●																	
0178	O-RING 17.86X2.62	61308091		●	●	●																	
0179	O-RING 18X2,8	65116846		●	●	●																	
0200	GAS SECTION																						
0201	GAS VALVE	65116557		●	●	●																	
0202	FAN	65116558		●	●	●																	
0208	GAS DIAPHRAGM D: 6.0 mm	65116562	NG/LPG		●																02/19		
	GAS DIAPHRAGM D:5.6 mm	65116525	NG/LPG	●																	02/19		
	GAS DIAPHRAGM D:6.3 mm	65116575	NG/LPG			●															02/19		
0211	VENTURI	65116524		●	●	●															02/19		
	VENTURI 25KW D:5.8mm (60)	65118163		●																03/19			
	VENTURI 30KW D:6.2mm (63)	65118164			●															03/19			
	VENTURI 35KW D:6.7mm (67)	65118165				●														03/19			
0213	SILENCER 24-30 KW	65116526-01		●	●																		
	SILENCER 35 KW	65116576-01				●																	
0214	GAS PIPE 24KW	65116527		●																			
	GAS PIPE 30KW	65116563			●																		
	GAS PIPE 35KW	65116577				●																	
0217	CH ADAPTER (3/4")	65114929		●	●	●																	
0218	DHW ADAPTER (1/2")	65114930		●	●	●																	
0223	DRAIN SCREW	65116528		●	●	●																	
0261	CLIP	65116529		●	●	●																	
0271	FAN GASKET	65116530		●	●	●																	
0282	SHEET GASKET D: 24-18.2-1.5	60022835-01		●	●	●																	
0283	O-RING 17,86X2,62	60002766		●	●	●																	
0286	O-RING 165 NBR 70 Sh 61.91x3,53	60001878		●	●	●																	
0300	FAN ASSEMBLY																						
0310	CASE COVER ASSY	65116531		●																			
	CASE COVER ASSY	65116564			●	●																	
0312	FLUE TEST PORT PLUG	65104295		●	●	●																	
0315	SPLASH PREVENTER	65119783		●	●	●																	
0370	SEALING RING 80MM	60002815-01		●	●	●																	
0371	GASKET	60000316		●	●	●																	
0400	SEALED CASE																						
0401	EXPANSION VESSEL 8L	65104261		●	●	●																	
0415	SIDE PANELS LEFT + RIGHT	65117304		●																			
	SIDE PANELS LEFT + RIGHT	65117306			●	●																	
0417	CASE PANEL (FRONT)	65116831		●	●	●																	
0420	EXPANSION VESSEL SUPPORT 8L	65116534		●	●	●																	
0423	PLATE WIRE BOX 18-24 KW	65116832		●																	07/19		
	PLATE WIRE BOX 18-24 KW	65119640		●																08/19			
	PLATE WIRE BOX 30-35KW	65116835			●	●															07/19		
	PLATE WIRE BOX 30-35KW	65119644			●	●														08/19			



☉→	Description	Manf. Pt. N	Type	<div style="display: flex; justify-content: space-between; align-items: center;"> <div style="transform: rotate(-45deg); font-size: 8px;"> MIRA C.GR. ULTRA 25 MIRA C.GR. ULTRA 30 MIRA C.GR. ULTRA 35 </div> <div style="border: 1px solid black; padding: 2px; font-size: 10px;"> 31 </div> </div>																		From	to
				1	2	3	4	5	6	7	8	9	10	11	12	13	14	15	16	17	18		
0500	FLOW GROUP																						
0501	FLOW GROUP	65115933		●	●	●															06/18		
	FLOW GROUP	65117952		●	●	●														07/18			
0503	PRESSURE RELIEF VALVE (3 BAR)	61312668		●	●	●																	
0507	SANITARY HEAT EXCHANGER (12 P.)	65116314		●	●																		
	SANITARY HEAT EXCHANGER (16 P.)	65116537				●																	
0514	BY-PASS	65114917		●	●	●																	
0521	HYDRAULIC GROUP SUPPORT	65119440		●	●	●																	
0550	PIPE (SAFETY VALVE OUTLET)	60001955		●	●	●																	
0551	PIPE (C.H. FLOW) 24KW	65116539		●																			
	PIPE (C.H. FLOW) 30KW	65120089			●																		
	PIPE (C.H. FLOW) 35KW	65116578				●																	
0560	CLIP D:10	65114933		●	●	●																	
0562	CLIP D:18	65104259		●	●	●																	
0563	CLIP D:12	65114932		●	●	●																	
0565	CLIP	60000309		●	●	●																	
0581	O-RING 17.96X2.62	65104337		●	●	●																	
0582	O-RING 17.86X2.62	61308091		●	●	●																	
0585	O-RING 17.04X3.53	65104262		●	●	●																	
0588	EXCHANGER GASKET	65114928		●	●	●																	
0590	O-RING 11.91X2.62	65114940		●	●	●																	





5000

- 5001**
- Gas conv. G20 - G30/31 - G25 - G25,1 - G27 - G230 - G2350
 - Transf. gaz G20 - G30/31 - G25 - G25,1 - G27 - G230 - G2350
 - Trasf. gas G20 - G30/31 - G25 - G25,1 - G27 - G230 - G2350
 - Transf. gas G20 - G30/31 - G25 - G25,1 - G27 - G230 - G2350
 - Flussiggas Umstellset G20 - G30/31 - G25 - G25,1 - G27 - G230 - G2350
 - G230 - G2350
 - Ombouwset G20 - G30/31 - G25 - G25,1 - G27 - G230 - G2350

- 5004**
- Gas conv. G130
 - Transf. gaz G130
 - Trasf. gas G130
 - Transf. gas G130
 - Flussiggas Umstellset G130
 - Ombouwset G130

- 5020**
- Accessories
 - Options
 - Opzioni
 - Accessorio
 - Zubehör
 - Opties

☉⇒	Description	Manf. Pt. N	Type	<div style="display: flex; justify-content: space-between; align-items: center;"> <div style="writing-mode: vertical-rl; transform: rotate(180deg); font-size: small;"> MIRA C.GR. ULTRA 25 MIRA C.GR. ULTRA 30 MIRA C.GR. ULTRA 35 </div> <div style="border: 1px solid black; padding: 2px; font-size: x-small;"> 31 </div> </div>																		From	to
				1	2	3	4	5	6	7	8	9	10	11	12	13	14	15	16	17	18		
0800	ELECTRICAL BOX																						
0801	FUSE 3.15A 250V FAST	65119775		●	●	●																	
0809	GROMMET (PCD TOOL ACCESS)	998382		●	●	●																	
0814	CONTROL PANEL COVER (FRONT)	65116544		●	●	●															07/19		
	CONTROL PANEL COVER (FRONT)	65119642		●	●	●														08/19			
0815	P.C.B. (MAIN)	65116545-05		●	●	●																	
0816	P.C.B. (DISPLAY)	60002839-01		●	●	●																	
0823	WHITE KNOB	60002840		●	●	●																	
0824	CONTROL PANEL COVER (REAR - SUPERIOR)	65119643		●	●	●														08/19			
	CONTROL PANEL COVER (REAR)	65116547		●	●	●															07/19		
0825	PRESSURE GAUGE	60002838		●	●	●																	
0826	CONTROL PANEL COVER LOWER PART	65119736		●	●	●														08/19			
0842	CONTROL PANEL HINGE	65119641		●	●	●																	
0851	FRONT CONTROL PANEL COMPLETE	60002856		●	●	●																	
0880	3-WAY VALVE CABLE	65121170		●	●	●																	
	CABLE (FAN)	65116579		●	●	●																	
	CABLE (IGNITION ELECTRODE)	65116583		●	●	●																	
	DISPLAY WIRING - 5 WIRES BLUES	60000746		●	●	●																	
	EARTH WIRE	65104286		●	●	●																	
	FEEDER 240V	60001619		●	●	●																	
	GAS VALVE CABLE	65116580		●	●	●																	
	NTC CABLE	65116717		●	●	●																	
	PUMP CABLE HE	65117069		●	●	●																	
0881	CONNECTOR 2P	65111933		●	●	●																	
	CONNECTOR 3P (x5)	65111934-01		●	●	●																	
5000	ACCESSORIES																						
5001	BURNER JET KIT G20-G30-G31-G25-G230-G25.	65121178		●	●	●																	
5004	BURNER JET FULL KIT NG G130	65117182-01		●	●	●																	
5020	FRAME SPREADER	60002378		●	●	●																	
	RIDUCTORS (KIT)	65116836		●	●	●																	

LIST OF THE ABBREVIATIONS

HW	: Hot water.
CW	: Cold water.
C	: Ceramic resistance (normal heating).
Ca	: Ceramic resistance (accelerated heating)
TP	: Immersion heater.
1F	: With fittings.
2F	: Without fittings.
3F	: With fittings and another outlet connection.
AMI	: With mixing valve.
SMI	: Without mixing valve.
PUISS	: Power of th appliance.
PN	: Appliance with normal pression.
LP	: Appliance with low pression.
PV	: Appliance with variable power.
PF	: Appliance with fixed power.

IDENTIFICATION PLATE

SERIAL NUMBER

10 Characters :	04 05 125 011		
		Sequential number	
		Manufacturing day	
		Year of manufacture	
11 Characters :	1 95 065004 - 31		
Month of manufacture :		Technical number of the appliance	
from 1 to 9 → Jan. to Sep.,		Sequential number	
O → Oct., N → Nov.,		Year of manufacture	
D → Dec.			
19 Characters :	08 05 0013199 900640031		
Year of manufacture		Product reference	
Month of manufacture		Sequential number	
20 Characters :	3675007 XX 2 07 070 00315		
Product reference		Sequential number	
Millenium of manufacture		Manufacturing day	
		Year of manufacture	
21 Characters :	3675007 XX 07 070 0000315		
Product reference		Sequential number	
Year of manufacture		Manufacturing day	